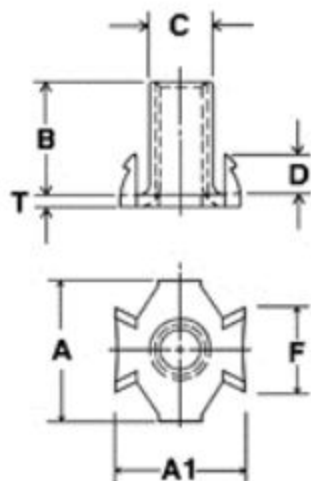


Plating: Plain

Thread Size	1/4-20
A Flange Length x A1 Flange Width	11/16 X 45/64
B Barrel Height	9/16
C Barrel Diameter	.305
D	19/64
F Prong Distance	.335
Drill Size	5/16
T Material Thickness	.047



Steel