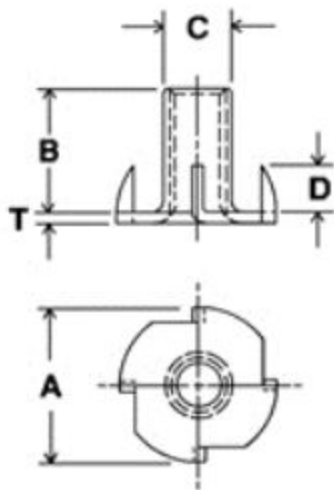


Plating: Plain

Thread Size	5/16-18
A Flange Diameter	7/8
B Barrel Height	5/8
C Barrel Diameter	.370
D	5/16
Drill Size	3/8
T Material Thickness	.055



Steel