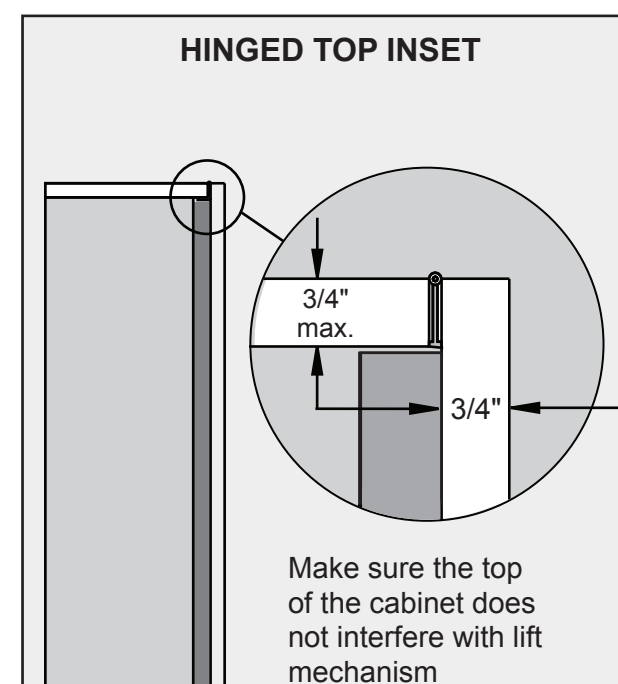
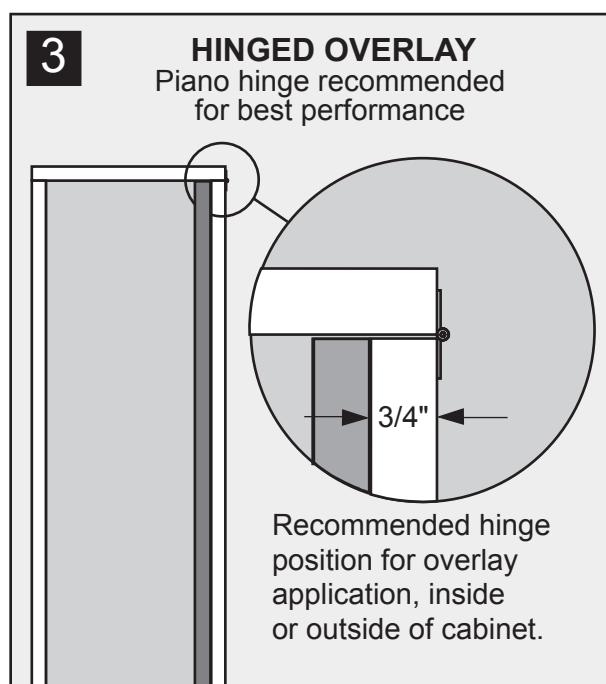
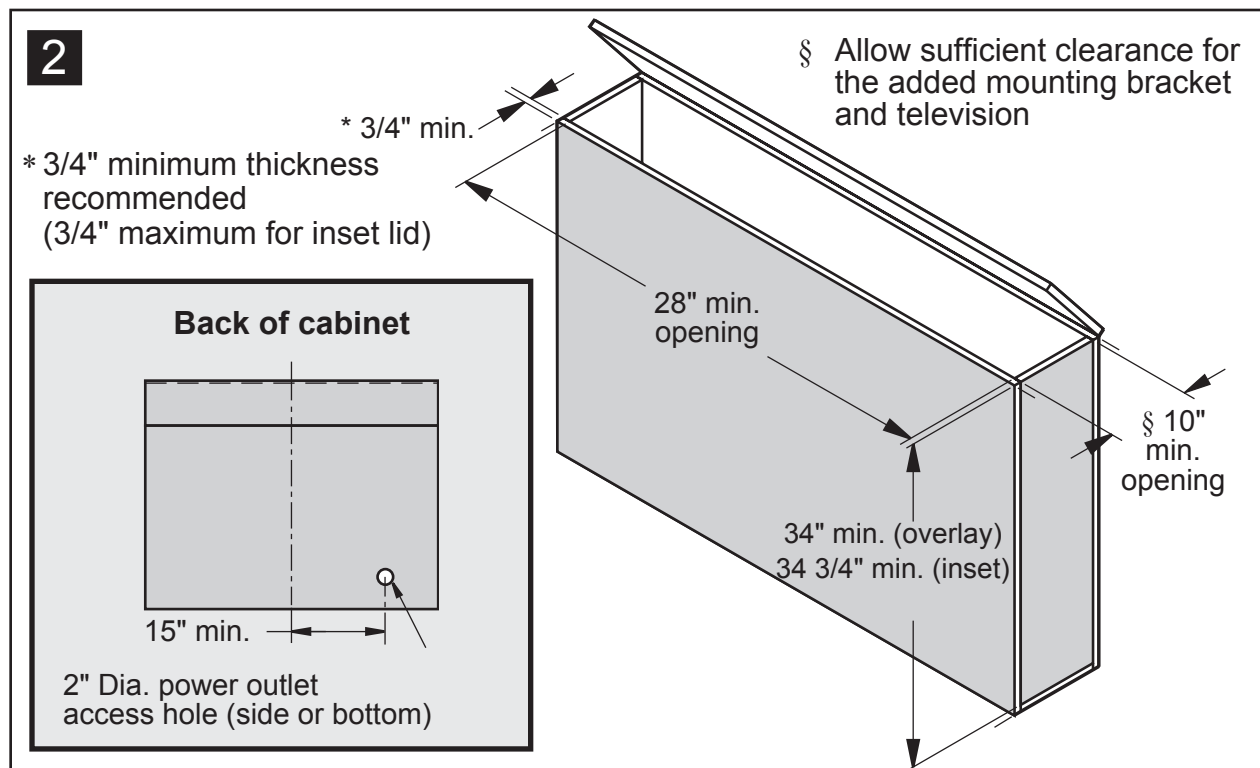
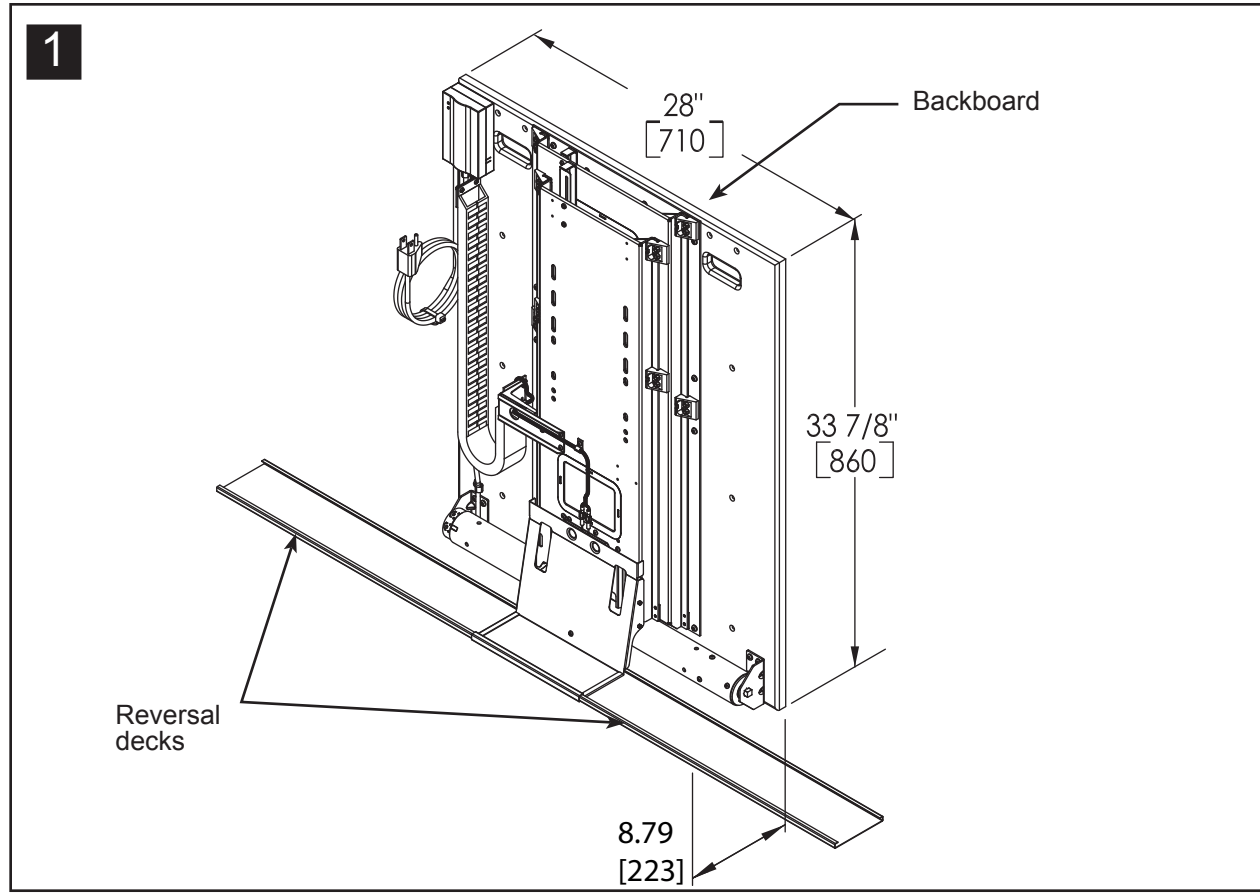


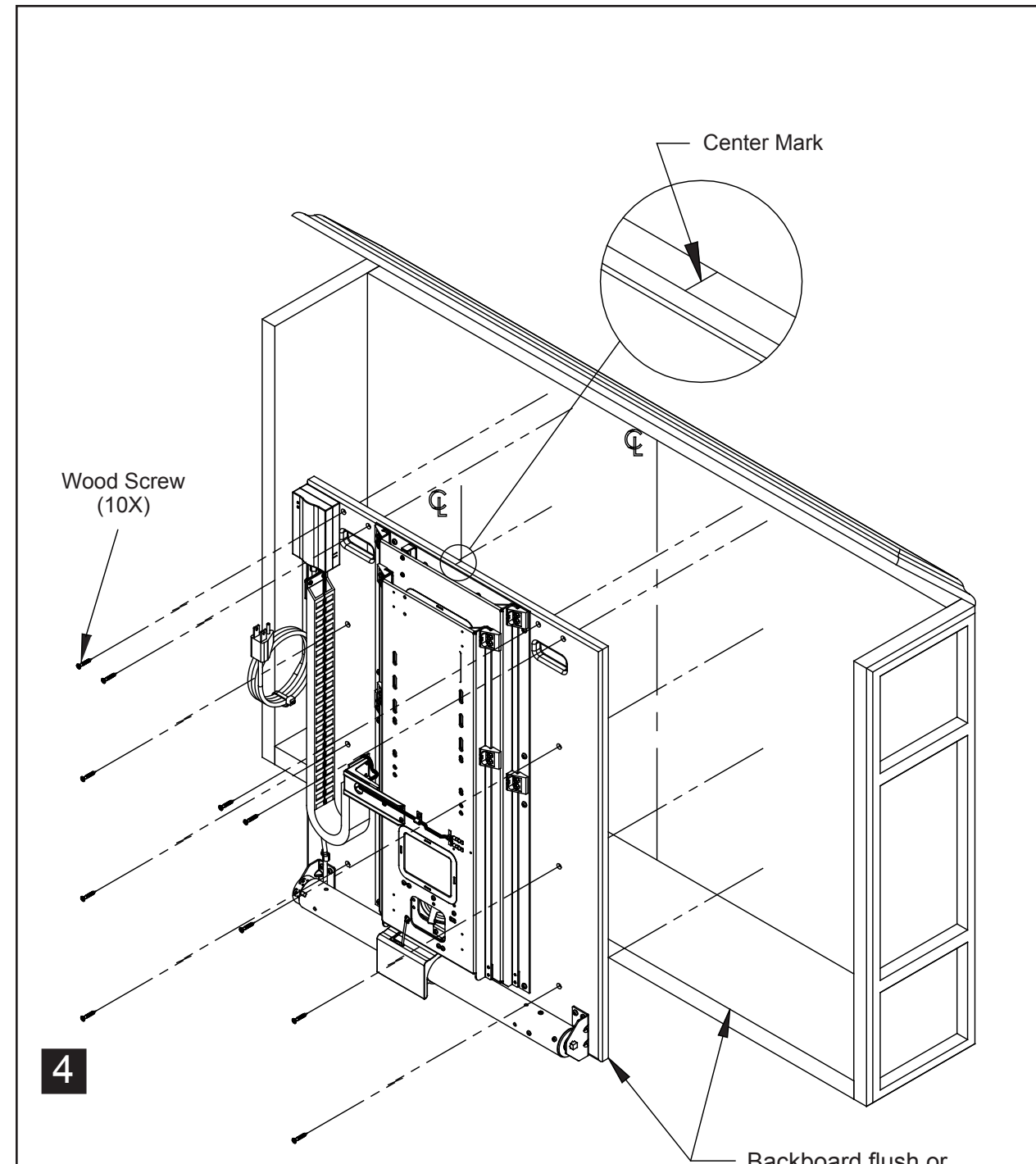
### ⚠ WARNING

Read all instructions before installing and operating the Quick Lift.  
Do not install or service the CB Lift-050 with the power cord connected.

### CABINET PREPARATION



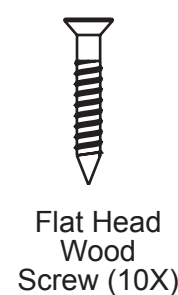
### INSTALLATION PROCEDURE



#### NOTE: TOP OF THE CABINET MUST BE PARALLEL TO THE TOP OF MOVING INNER MEMBER

- On the inside opening of cabinet, locate and mark a vertical centerline on the mounting surface wall.
- Install using 10 wood screws and tighten securely. Backboard must be securely fastened, allowing no gap between mounting board and rear of cabinet wall.

#### HARDWARE LIST

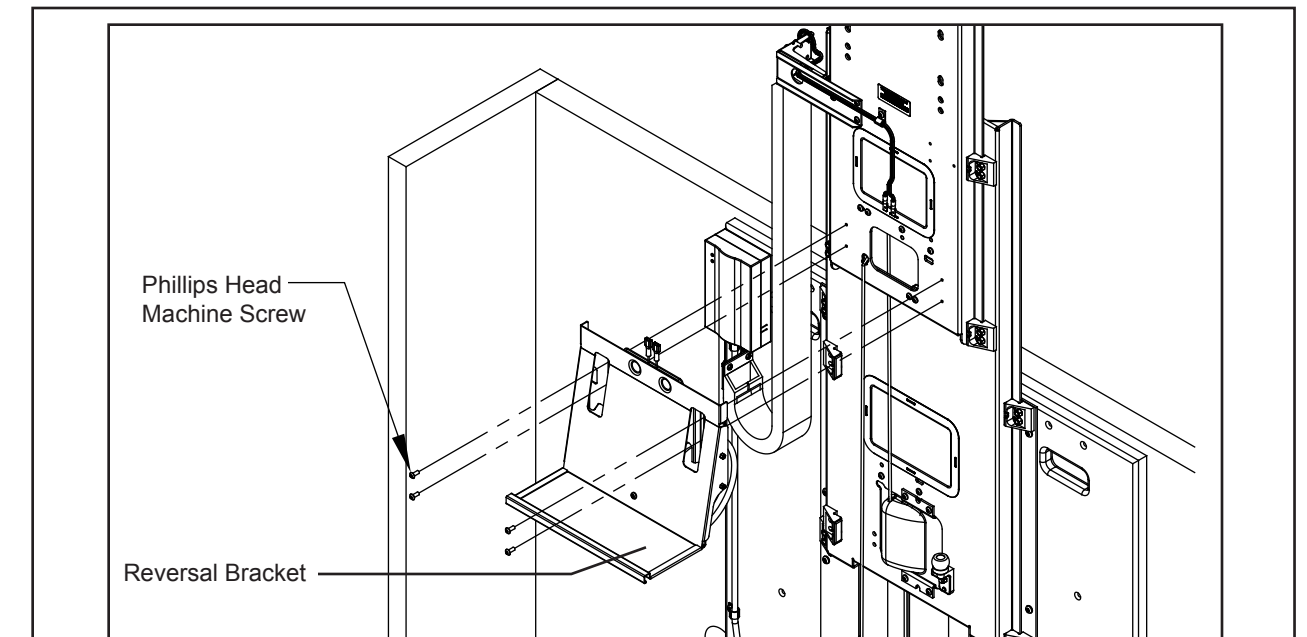


**Fixed Lid Bracket Kit:**  
P/N 4180-0650-XE

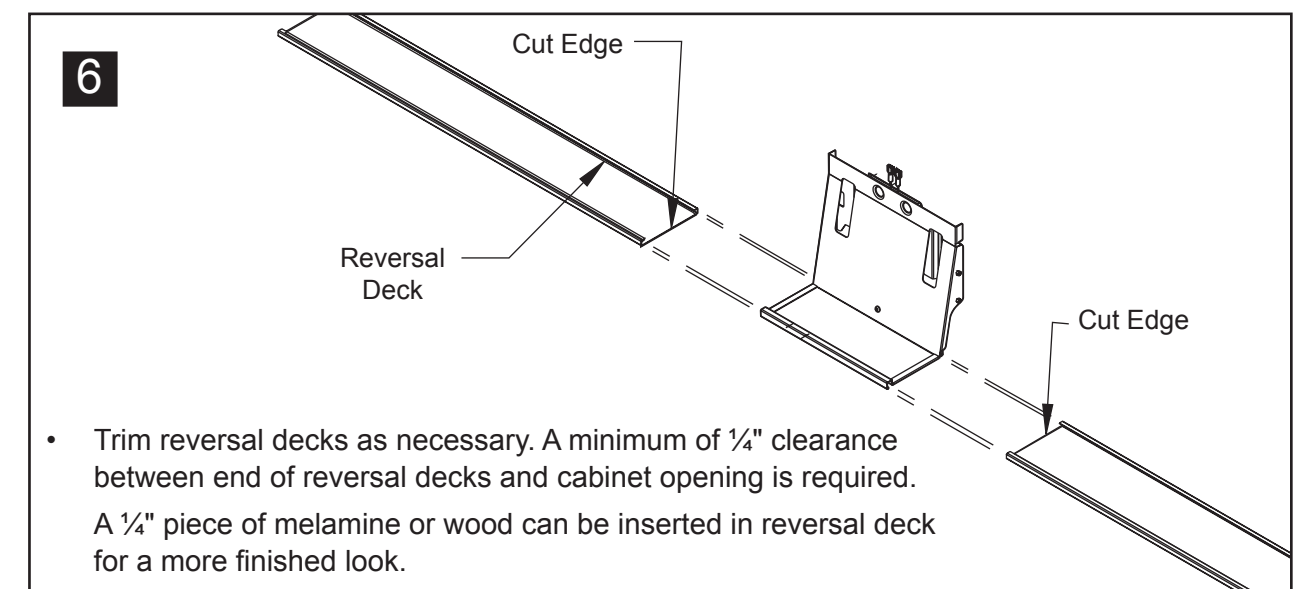
**Replacement Remote Kit:**  
P/N 4180-0654-XE

**Note:** For television mounting bracket installation instructions see the Quick Lift User's Guide.

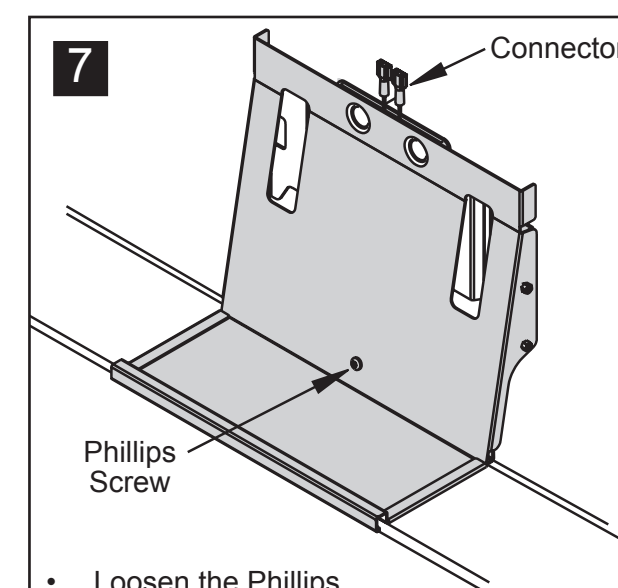
### REVERSAL DECK ASSEMBLY



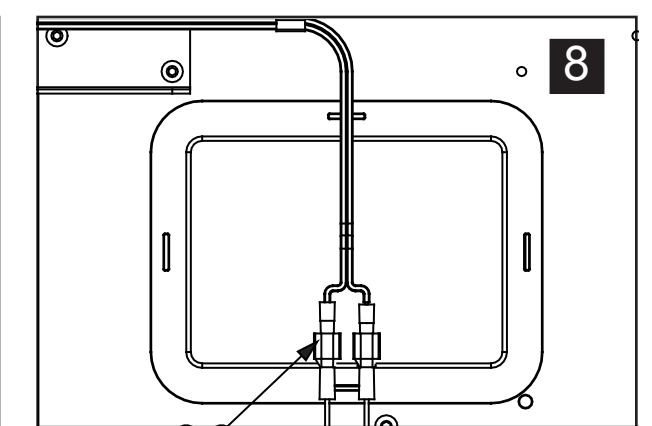
- Connect to power source and raise the lift. **WARNING: disconnect power after raising lift.**
- Insert (4) Phillips Head Machine Screws through the slots of the reversal bracket and into the four threaded holes located near the bottom of the lift. Fasten securely.



- Trim reversal decks as necessary. A minimum of 1/4" clearance between end of reversal decks and cabinet opening is required. A 1/4" piece of melamine or wood can be inserted in reversal deck for a more finished look.



- Loosen the Phillips screw (shown above) and insert the reversal decks, cut side in. Adjust to provide 1/4" clearance per side.
- Tighten the Phillips screw.



- Connect the female coupler located on the reversal bracket to the male coupler of the wire.
- Reconnect power
- Lower the lift

# Quick Lift

## CBLIFT-050

### Important Safety Information

#### **WARNING**

##### **Read All Instructions Before Installing and Operating the Quick Lift**

Failure to read and follow the instructions can result in serious personal injury, damage to equipment, or voiding of factory warranty. It is the installer's responsibility to make sure all components are properly assembled and installed using the instructions provided.

**Entrapment/Entanglement Hazard:** When operating the Quick Lift, keep hands, clothing, and hair clear of the apparatus to prevent personal injury or damage to the mechanism.

- Do not operate the Quick Lift outside of a protective cabinet or structure.
- Do not operate without reversal deck. The reversal deck has Auto-Reverse technology that causes the lift to reverse direction if it encounters an obstruction as it lowers.
- Do not operate with plastic protective covers removed.

**Do not overload** or lift may fail and personal injury may result. Maximum load capacity 120 lbs. Accommodates flat-panel television screens up to 50" diagonal and 33.5" tall.

- **This product is capable of carrying the stated load when the structure into which it is mounted is designed to safely carry such loads.** The cabinet maker should ensure the final structure is safe and stable when carrying the maximum intended load.
- The Quick Lift assembly must be securely attached to the cabinet/structure walls.
- When fully loaded with the actual intended load, the entire structure must be stable when the lift is fully extended.
- Before operating the Quick Lift, ensure the cabinet/structure is counterbalanced or bolted to the floor or wall to ensure the cabinet/structure does not tip over when the lift is fully loaded and extended.

**Keep Children Clear.** Children should not play on or around the lift to prevent personal injury or damage to the mechanism.

**Risk of Electric Shock:** The Quick Lift uses live electrical current to operate. To reduce the risk of burns, fire, electric shock, or injury to persons:

- Do not install or service the Quick Lift with the power cord connected.
- Do not install or service the television with the Quick Lift power cord connected.

**Continuous or excessive cycling of the Quick Lift may overheat or damage the motor.**