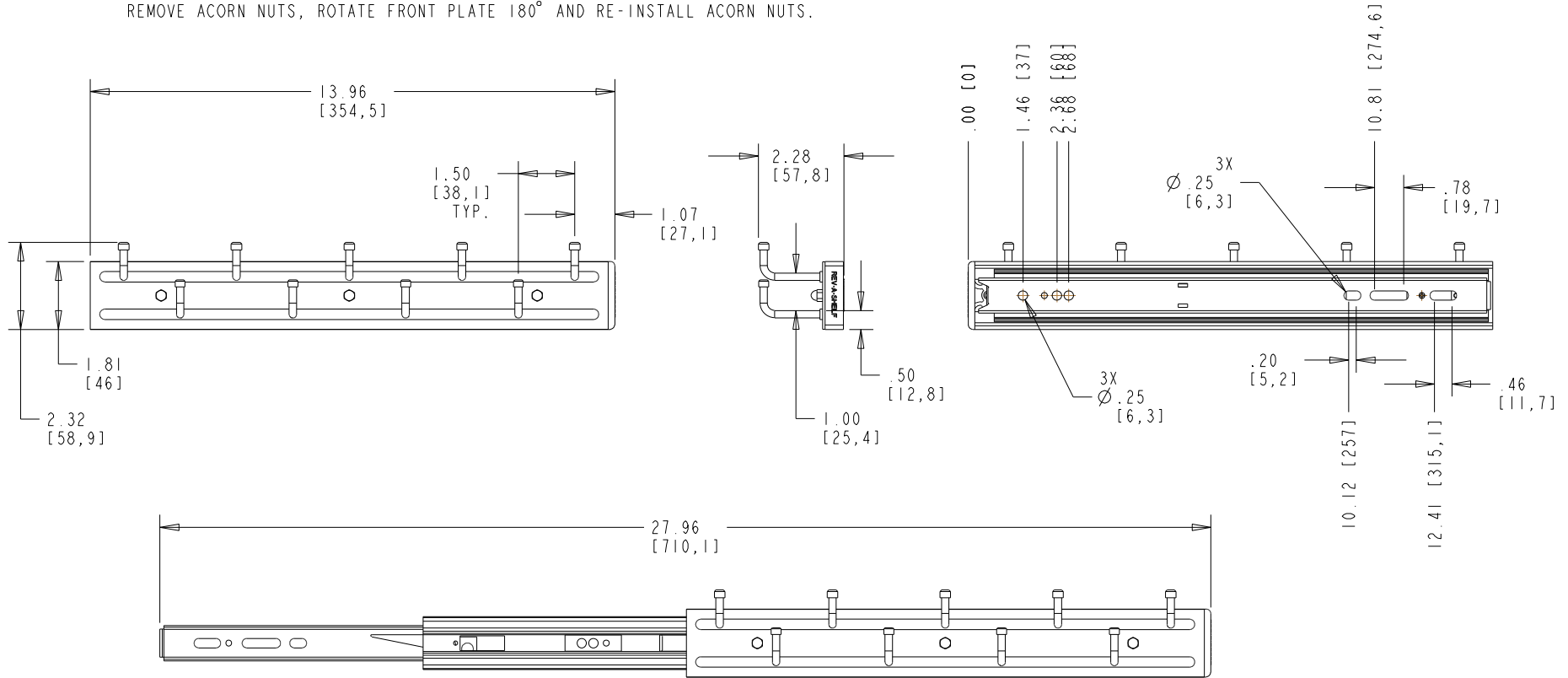


NOTE: SHOWN FOR RIGHT WALL MOUNT.  
 FOR LEFT WALL MOUNT:  
 REMOVE ACORN NUTS, ROTATE FRONT PLATE 180° AND RE-INSTALL ACORN NUTS.



OPEN VIEW

CUSTOMER DRAWING

This drawing is the property of Rev-A-Shelf (RAS) and is disclosed in confidence to the extent its subject matter is original to RAS. Any vendor receiving this drawing from RAS shall hold and use this drawing for the sole benefit of RAS and shall not disclose it to, or use or reproduce it for any third party, or perform any act adverse to the interest of RAS with respect to this drawing without the express written permission of RAS. Vendors shall not revise any physical, dimensional or performance characteristic unless authorized by Rev-A-Shelf Engineering.

REV.	DATE	BY	DESCRIPTION OF CHANGE
A	9-20-11	KRR	ECN11-058

INCH [MM]	AMERICAN PROJECTION	DRAWN	KRR	DATE	11-24-10	REV-A-SHELF® INC.			
		SIZE	B	MATERIAL		DRAWING NO.	BRX-14_CUST	SCALE	0.375
TOLERANCES (WOOD) .XX ±.03 [.8mm] (OTHER) .XX ±.02 [.5mm] (ALL) .XXX ±.005 [.13 mm] FRACTIONS ±1/32 [.8 mm]		ANGLES	±1/2°	FINISH		PART NO.	BRX-14	SHEET	1 OF 2