

## KRISTAL Glass Shelf Support

KRISTAL is a glass shelf support boasting a unique design with fresh, modern aesthetics.



### Advantages/Benefits

- ✓ Allows furniture to be delivered with the shelves pre-mounted.
- ✓ Comes with two layers of soft engineering plastic on both the upper and the lower sides, locks the shelf perfectly, and reduces the risk of damage to the shelf.
- ✓ Locking and unlocking the shelf is quick and easy with KRISTAL.
- ✓ Made of zinc alloy.
- ✓ Exclusive to Richelieu.



**Product number**

161130140

**Glass Thickness**

5 to 6mm (3/16" to 1/4")

**Fixing**

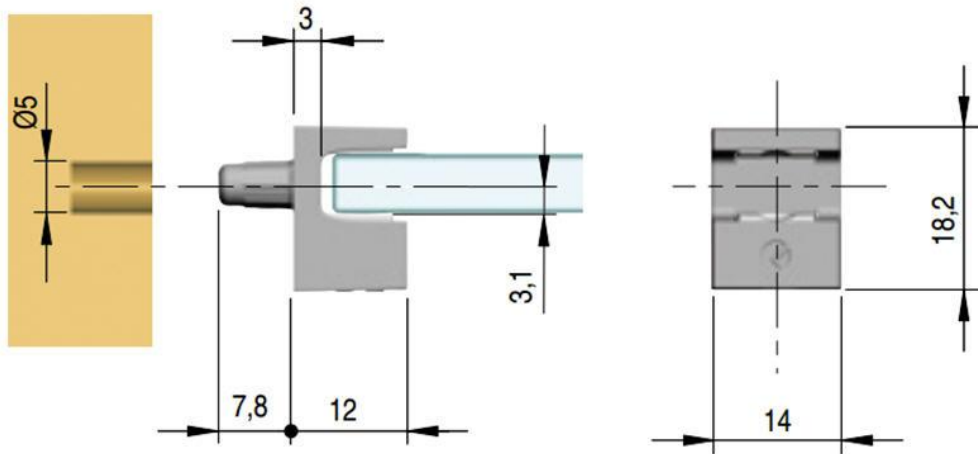
Ø 5mm pin

**Finish**

Bright Chrome



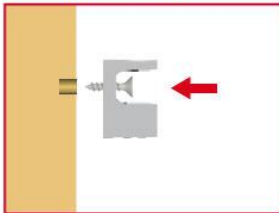
## Technical drawing & Assembly



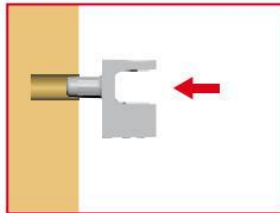
### ASSEMBLING

1

ASSEMBLING WITH SCREW FIXING

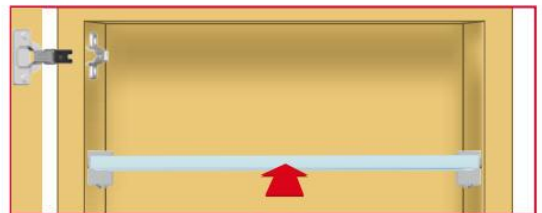


ASSEMBLING WITH SMOOTH PIN



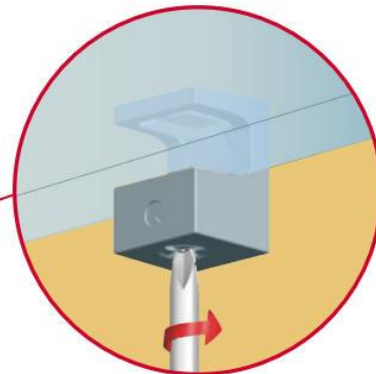
2

SLIDE THE GLASS HORIZONTALLY INTO THE KRISTAL "U" SOCKET BEFORE ASSEMBLING THE DOOR



3

SECURE THE GLASS IN POSITION BY SCREWING CLOCKWISE THE METAL LOCKING INSERT UNTIL THE GLASS IS SAFELY LOCKED AND ASSEMBLY THE DOOR.



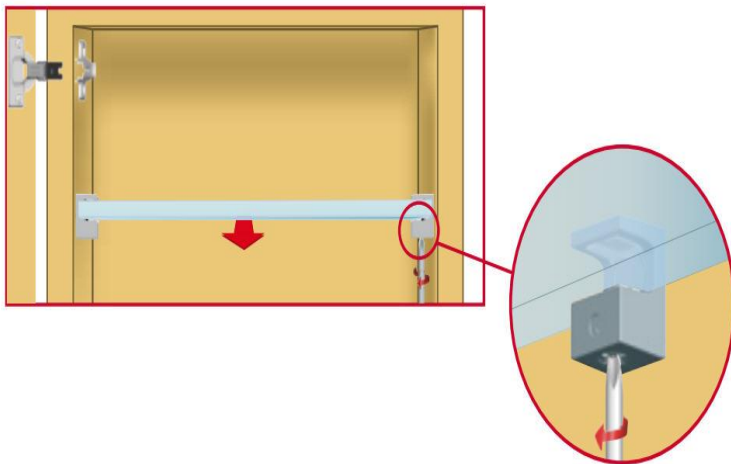


## Assembly

### SHELF ASSEMBLING AND REPOSITIONING

#### SHELF REMOVAL

REMOVE THE DOOR FIRST AND UNSCREW THE METAL LOCKING INSERT ANTICLOCKWISE UNTIL YOU CAN EASE THE GLASS OUT.



#### SHELF REPOSITIONING

TO REPOSITION THE SHELF REPEAT OPERATIONS AS SHOWN IN PCS. 2-3.

