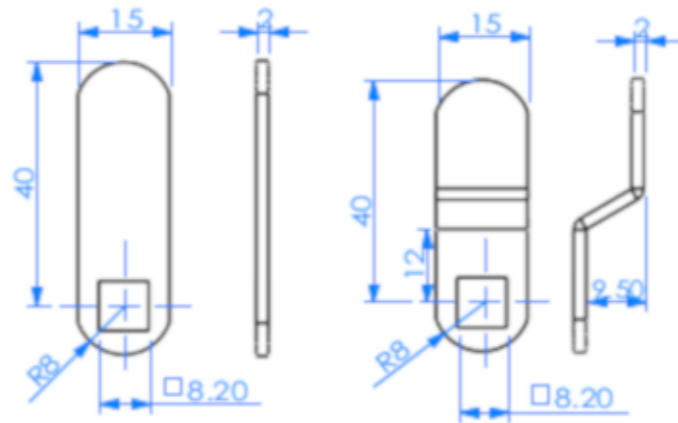
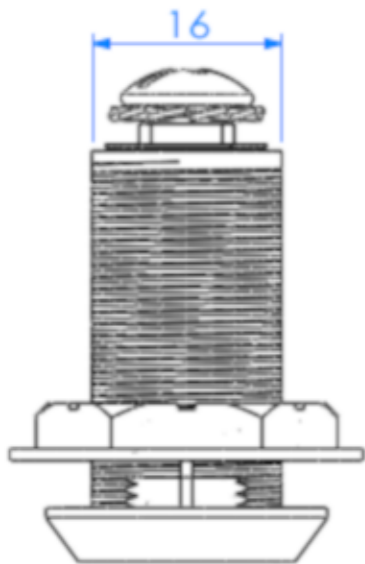
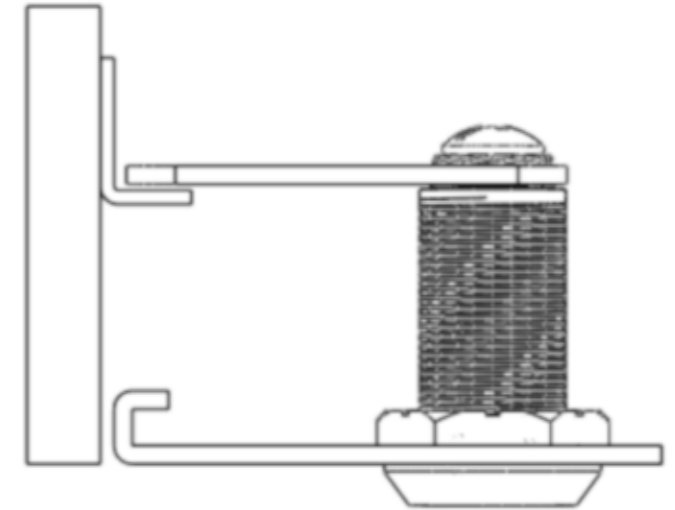
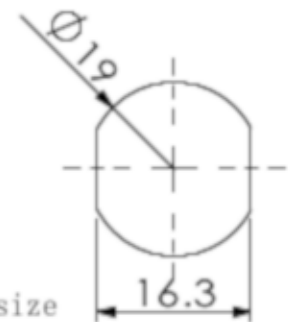
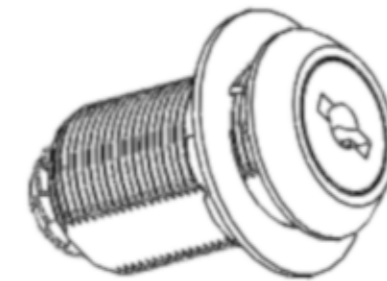


### Installation diagram



Selected accessories



Refers to the hole size

Core turn direction

