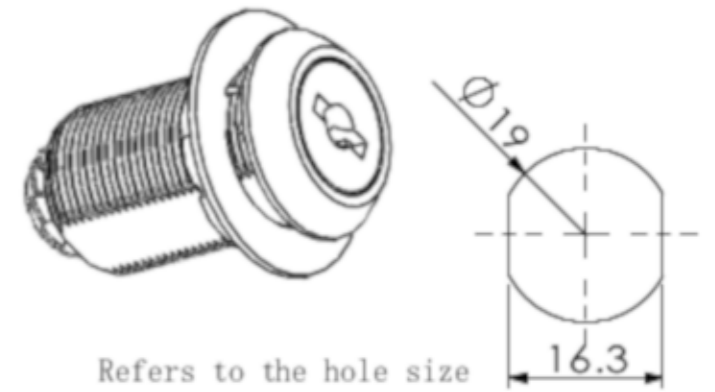
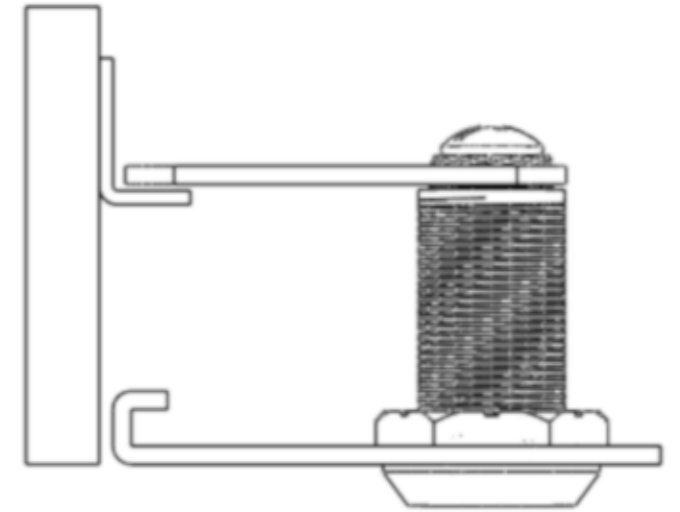


Selected accessories

Installation diagram



Refers to the hole size

Core turn direction

