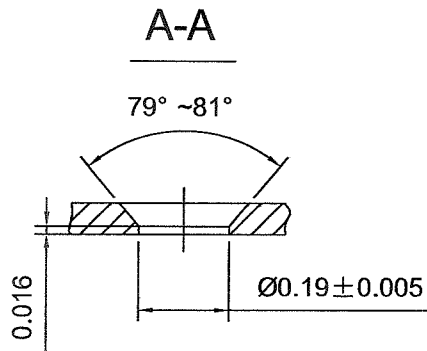


Countersunk for
#6x3/4" FH Screw



Onward Item#: 99B30-B
99B30-R
99X30-B
99X30-BC
99X30-R

Tolerance
All Tolerance unless
otherwise noted : ± 0.015 "

						Flat Corner Brace 3"x5/8"				
MARKER	COUNT	AREA	REVISION	APPROVE	DATE	REVISION	WEIGHT	SCALE	DRAWING NO.	PROJECTION
DRAWING			STANDARDIZATION							
DESIGNING									MATERIAL	UNITS
CHECK										
TECHNICS			APPROVE			TOTAL 1 PAGE	NO 1 PAGE	FINISH		TOLERANCE