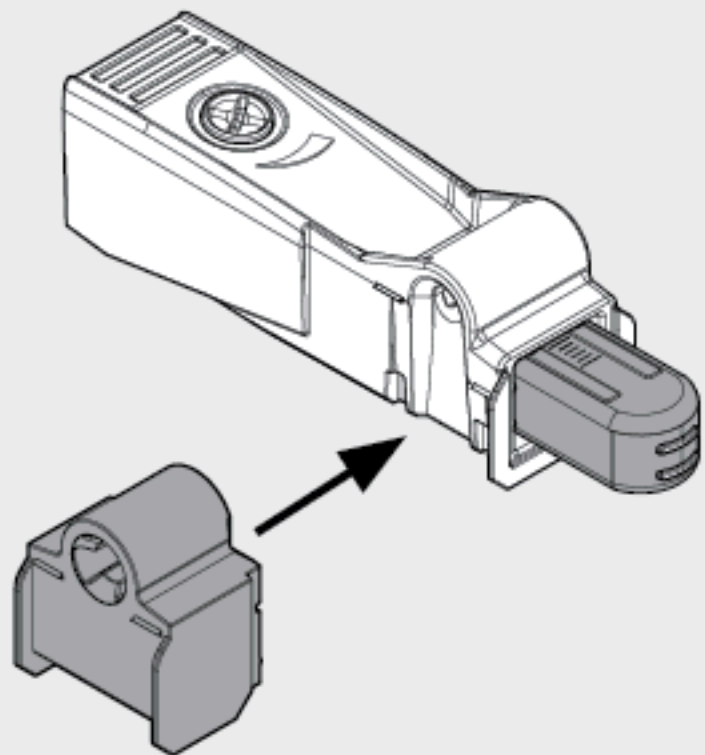


## Attachment of partial overlay spacer



The partial overlay spacer snaps on to the side of the BLUMOTION for easier mounting.