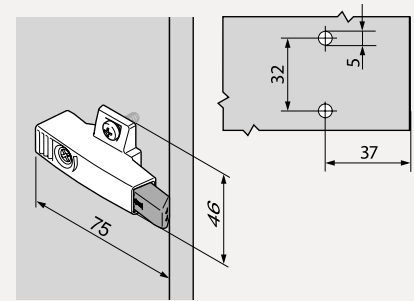




BLUMOTION 971A
With a cruciform base assembly
(37/32)

- Assembly using pre-mounted special screws with split dowels (EXPANDO)
- Material: Zinc, nickel plated



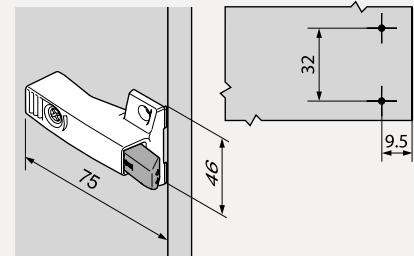
Constr. height 25 mm **971A05E0**

Constr. height 33 mm **971A25E0**



BLUMOTION 971A
With a cruciform base assembly
(9.5/32)

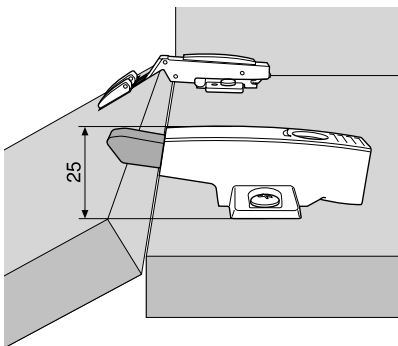
- Assembly using chipboard screws Ø 3 mm or Ø 4 mm
- Material: Zinc, nickel plated



Constr. height 25 mm **971A0700**

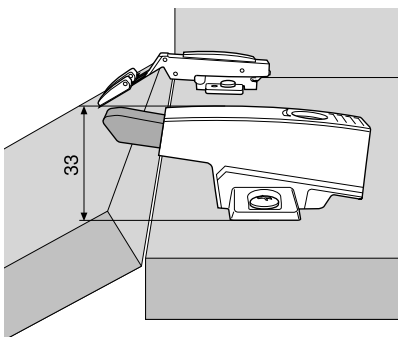
Constr. height 33 mm **971A2700**

Construction height 25 mm



For all hinges with a straight hinge arm and a 0 mm spaced mounting plate.
 Exception: Profile door hinge 95°.

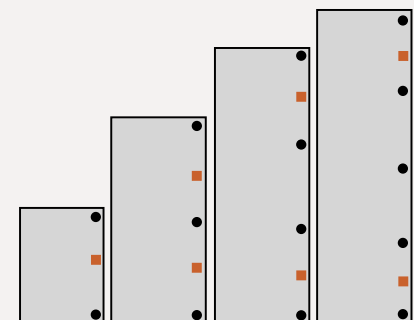
Construction height 33 mm



For all hinges with a straight hinge arm and a 3 mm spaced mounting plate.
 Including: Profile door hinges 95° and a 0 mm spaced mounting plate.

Assembly positions

The following figures provide the recommended BLUMOTION 971A assembly positions for doors with two or more hinges.



- BLUMOTION 971AXXXX
- Hinges