

blum Blumotion 970A and 970 for Drilling Section 3A

Version : 2007

All dimensions in millimeters (inch equivalents as shown)



BLUMOTION 970A

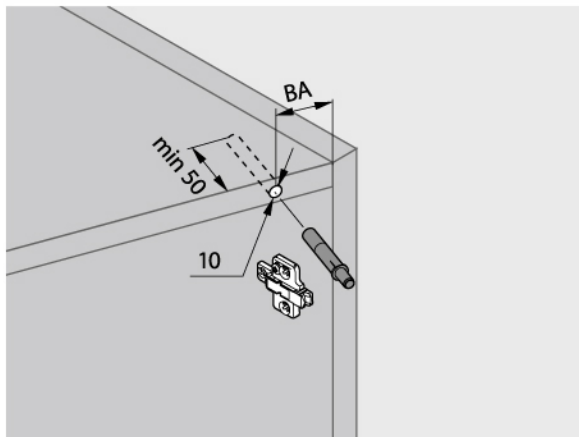
BLUMOTION 970A is located onto the hinge side, and produces the same perfect motion – even for angled hinges. The BLUMOTION 970A should be inserted into a pre-drilled hole, located in the cabinet top panel. The correct position is set using the drilling distance (BA).

If the BLUMOTION effect, on a particular door width, is insufficient, we recommend installing an additional BLUMOTION 970A to the bottom panel.

We recommend BLUMOTION 973A or BLUMOTION 971A for exceptionally heavy or high cabinet doors.

BLUMOTION 970 - still available

BLUMOTION 970 is drilled on the handle side - preferably in the cabinet side panel. The optimal position is the centre of the cabinet height. Assembly is also possible using adapter plates which are available in either nickel plated zinc or nylon.



Drilling distance

The following table next page provides the corresponding drilling distance for each angled application.

Drilling distance (BA) in mm

N° 12 54

Angled application



970A1002