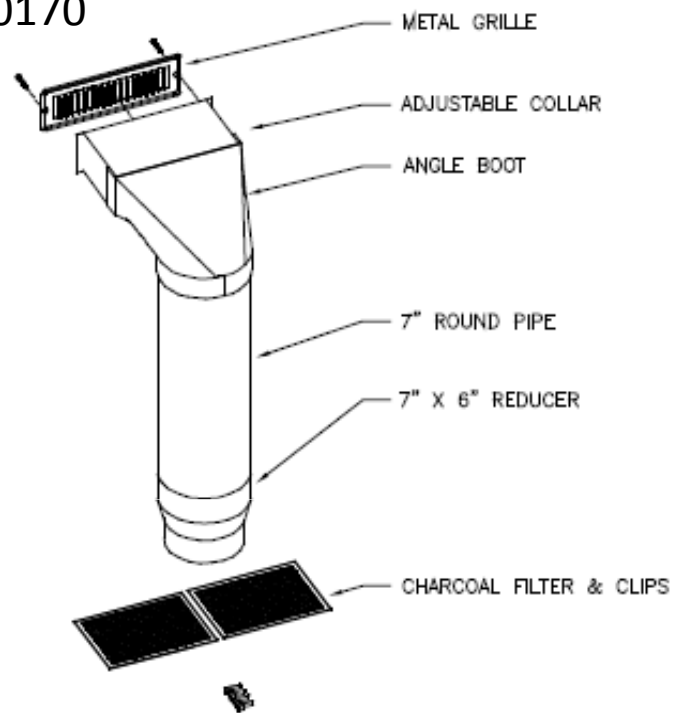


## INTERIOR DUCTWORK KIT

90359100

To be used with blower # 20500170



1. Install blower in metal liner ( sold separately ) following instructions provided .
2. Install charcoal filters into blower (see instructions packaged with filters).
3. Place 6" end of reducer, over the blower fan collar and secure in place.
4. Place the non-crimped end of the 7" round pipe over the reducer. Seal and secure.
5. Place angle boot over the crimped end of the round pipe. Seal & secure.
6. Trim adjustable collar to fit application.
7. Mark and cut 3" x 10" hole for the Metal Grille. Seal and secure collar to angle boot and position over existing hole.
8. Position metal grille on face of chimney or soffit and secure with screws provided.