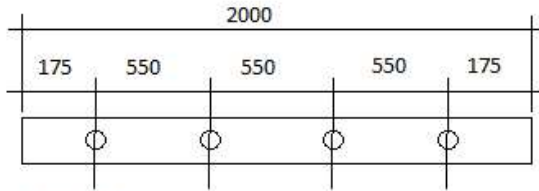


## 2.0 meter Track Set



Technical Data



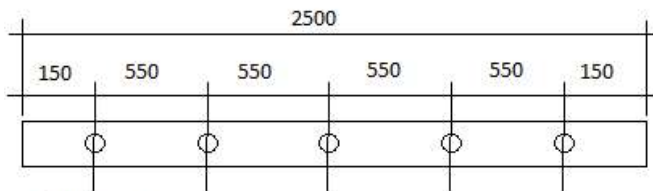
### **Item no. 89TY030170**

2.0m (78 3/4") Track set with  
4 mounts & spacers

Includes:

- 1) 2.0M (78 3/4")  
Pre-Drilled Round Track
- 4) Wall Mount Stand-offs
- 4) 6 & 12mm x 50mm Shims
- 4) 130mm (5 1/8")  
fastener screws and collars

## 2.5 meter Track Set



Technical Data



### **Item no. 89TY031170**

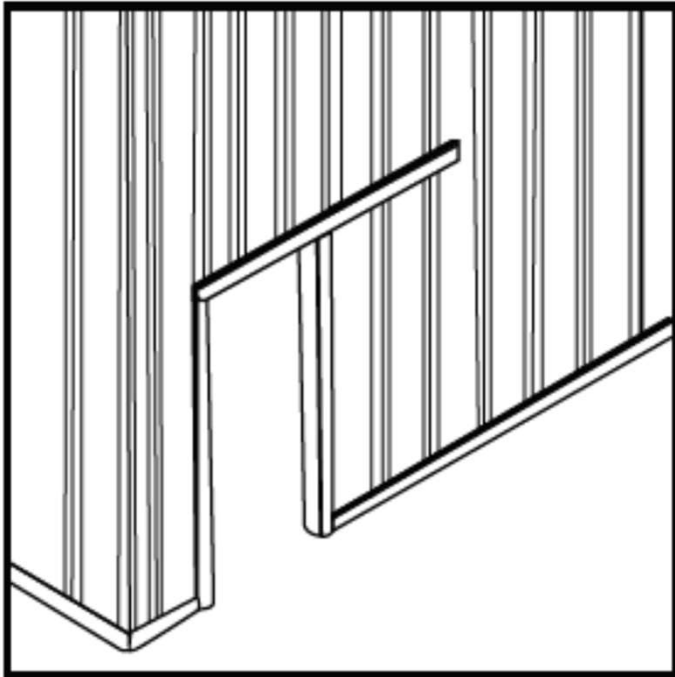
2.5m (98 3/8") Track set with  
5 mounts & spacers

Includes:

- 1) 2.5M (98 3/8")  
Pre-Drilled Round Track
- 5) Wall Mount Stand-offs
- 5) 6 & 12mm x 50mm Shims
- 5) 130mm (5 1/8")  
fastener screws and collars

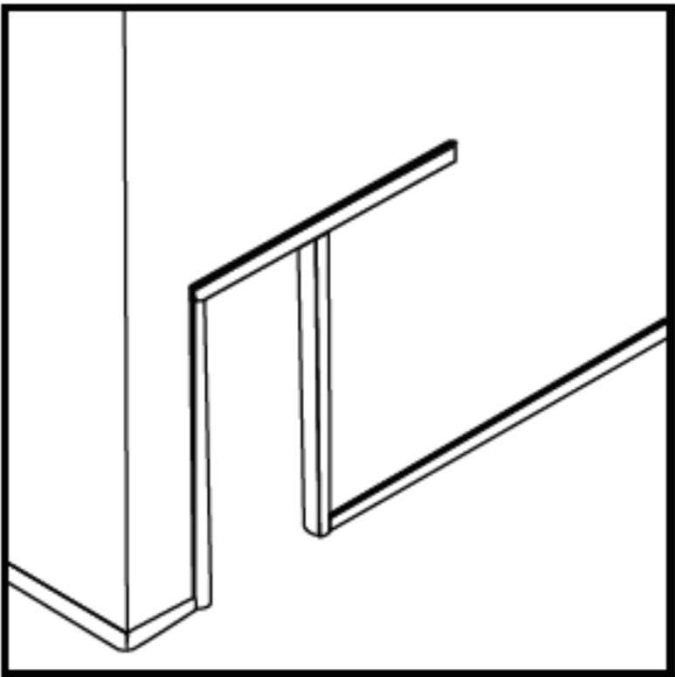
## WALL PREPARATION:

Track **MUST** be securely mounted to solid blocking



### New Construction:

- Add a 2x8 minimum solid wood header for entire length of the Track/Rail
- Validate with Local Building Code



### Existing Construction:

- Continuous Solid Wood Blocking must be installed along the entire length of the Track/Rail
- Validate with Local Building Code

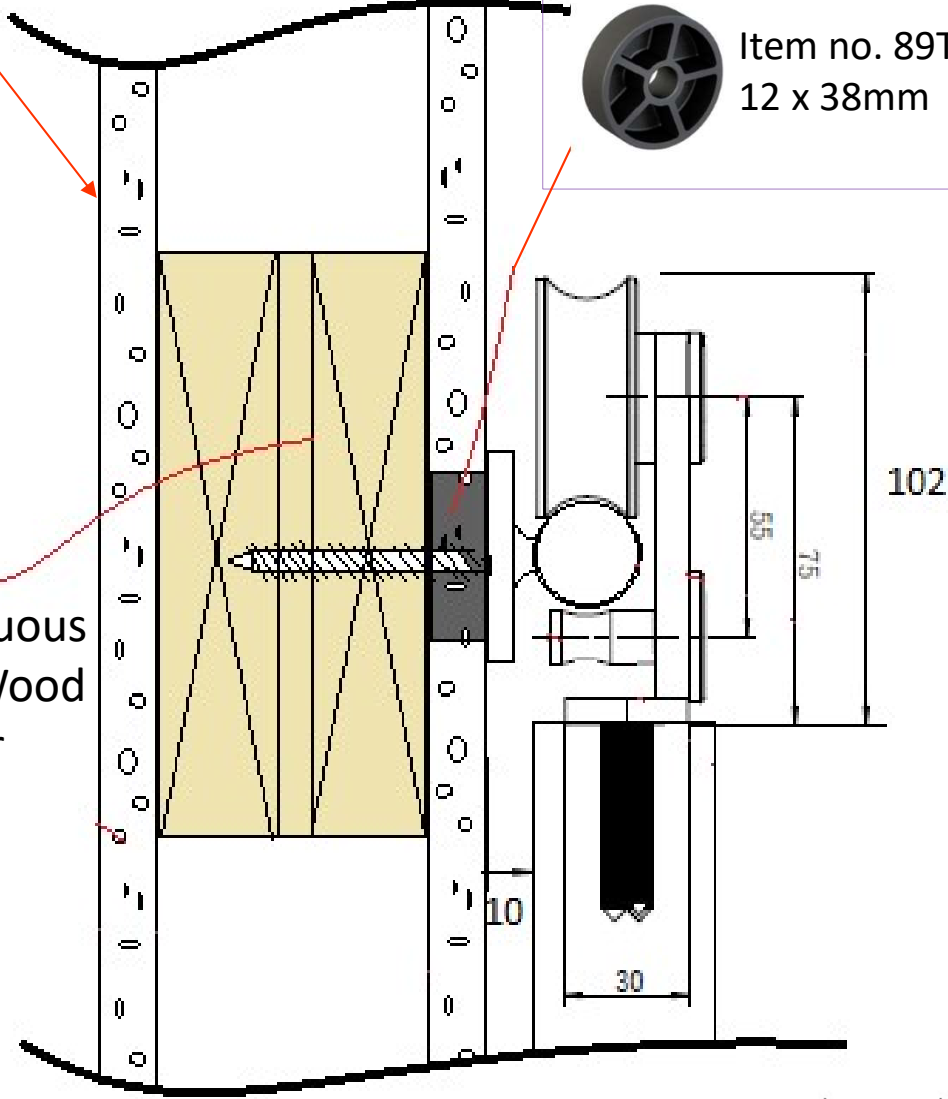
**APPLICATION:  
MOUNTING TRACK USING WALL SUPPORT DISCS**

Drywall/gypsum  
Board or sheetrock

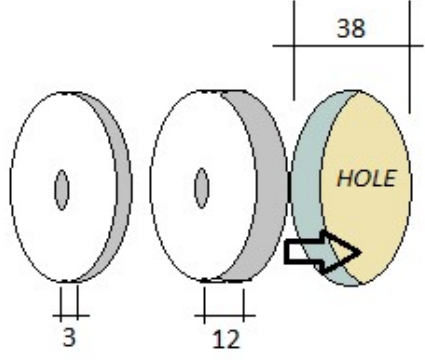
Continuous  
Solid Wood  
Header

**Internal Wall Support**

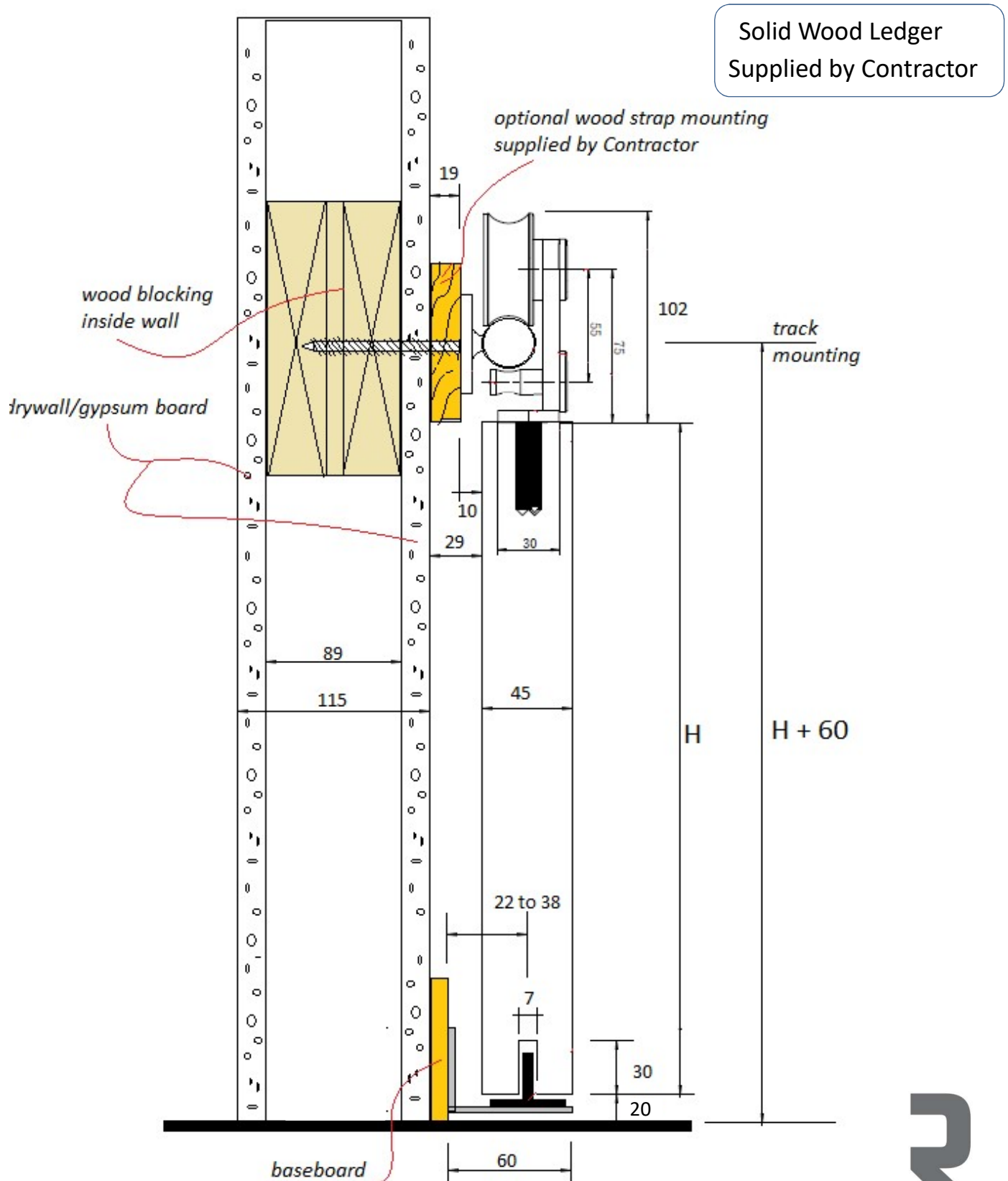
-  Item no. 89TY90042630090  
3 x 38mm
-  Item no. 89TY90042640090  
12 x 38mm



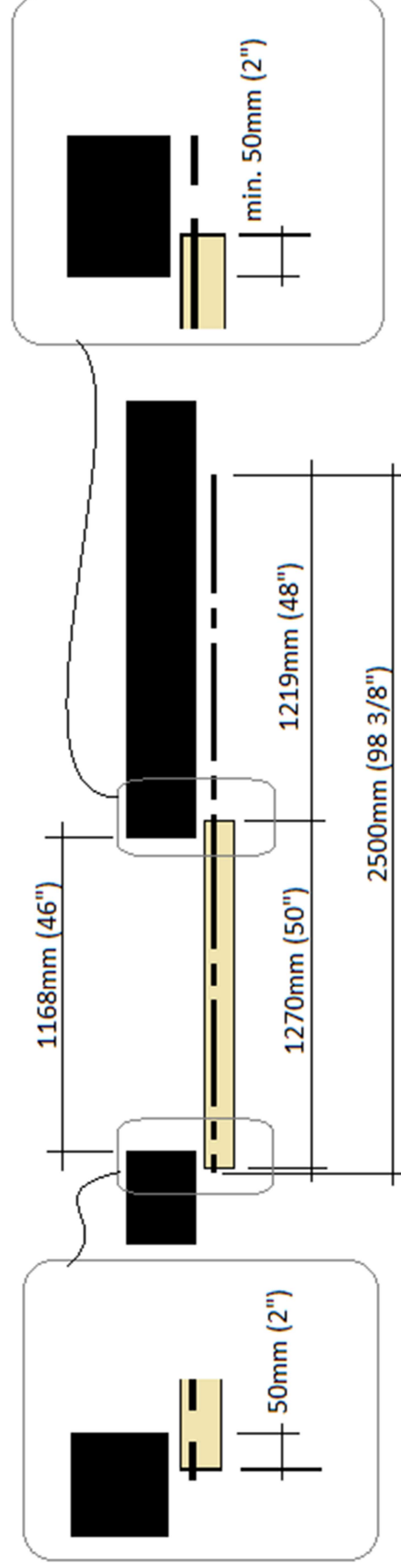
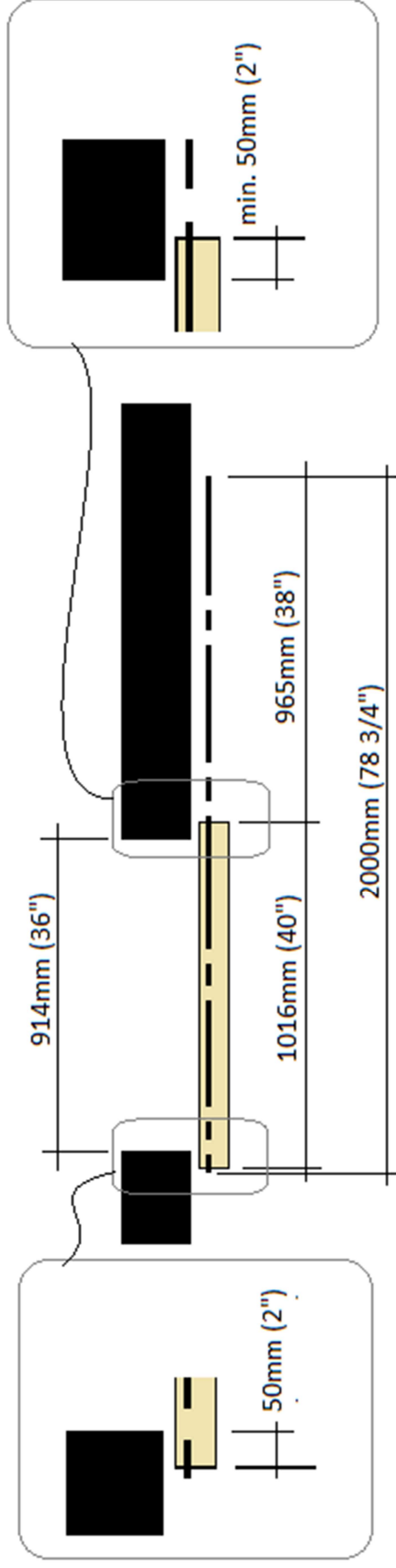
Drill 38mm (1-1/2") hole in  
drywall/gypsum board and  
Insert disc(s) to appropriate  
sheetrock thickness



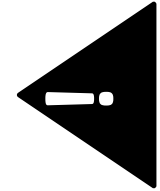
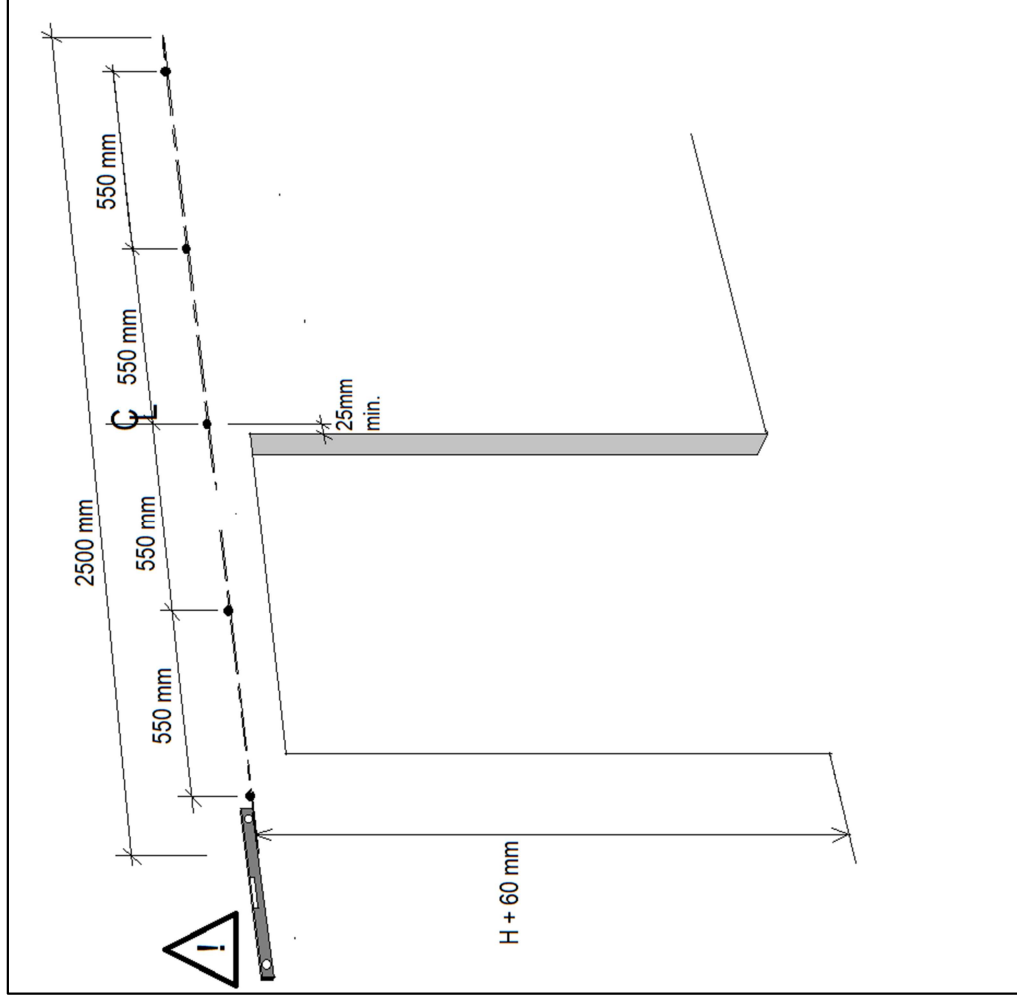
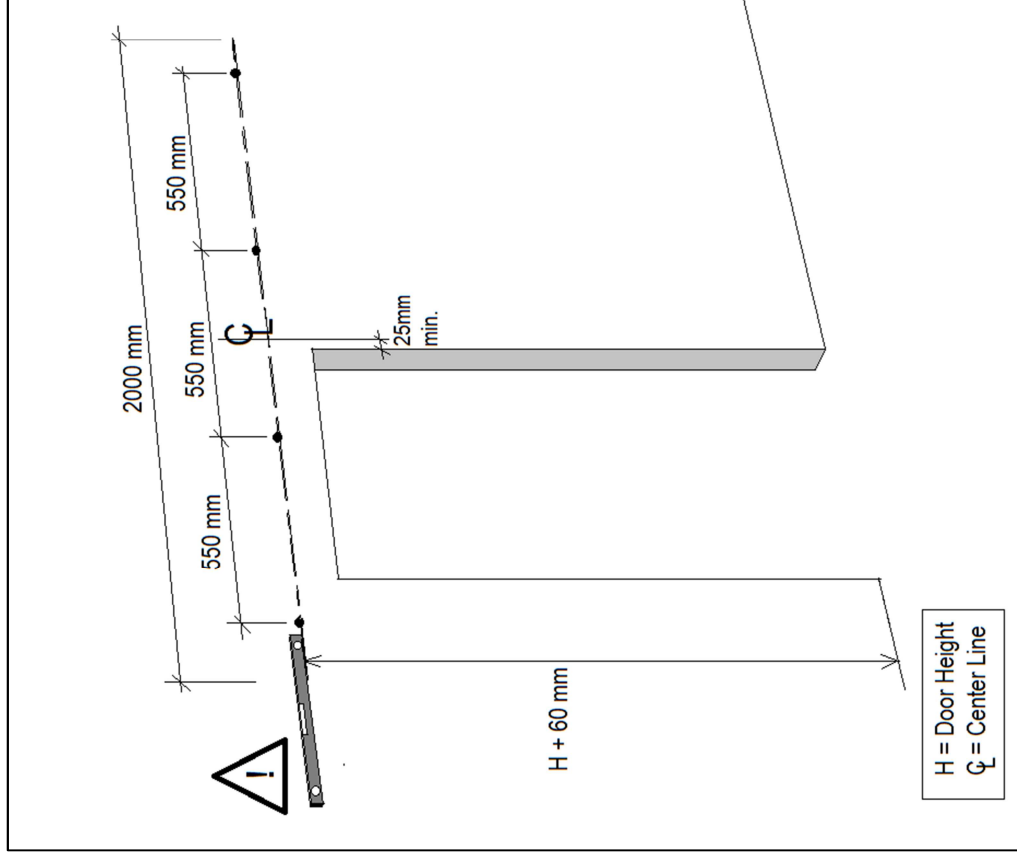
# APPLICATION: MOUNTING TRACK USING SOLID WOOD LEDGER BOARD



# PLAN VIEW - DOOR WIDTH EXAMPLES



# TRACK MOUNTING



Wear Safety Glasses