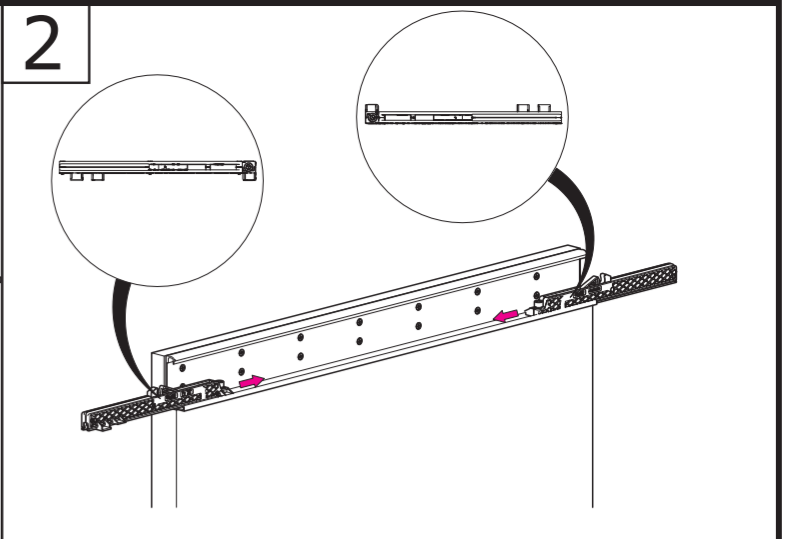
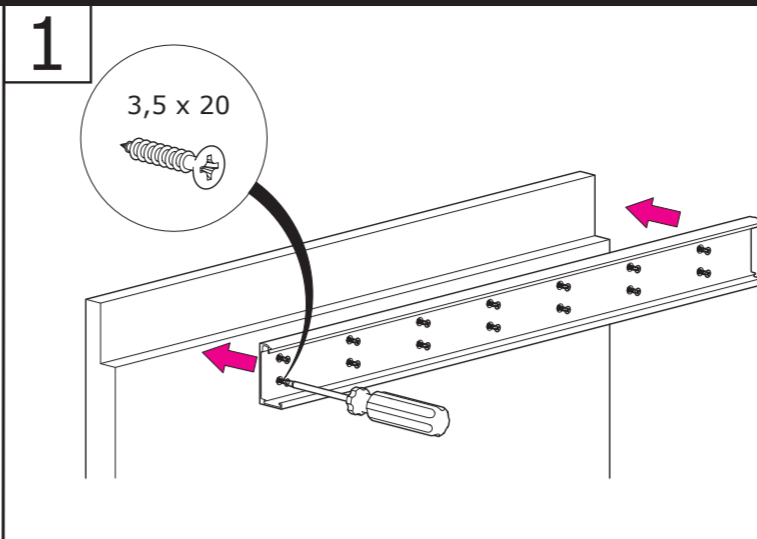
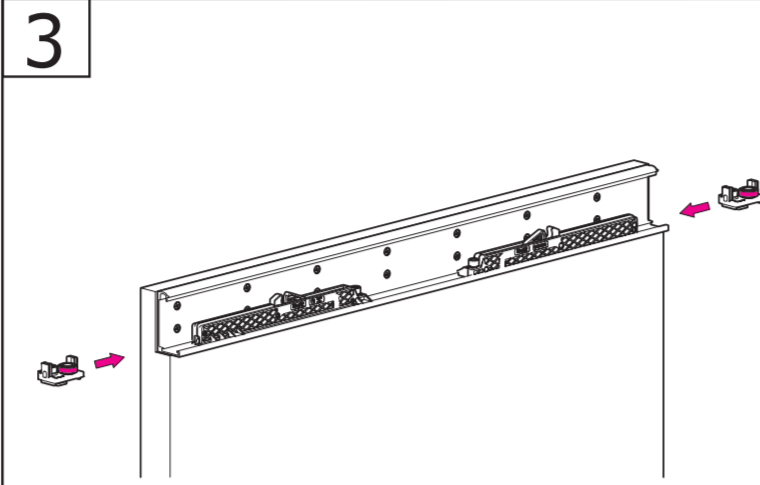
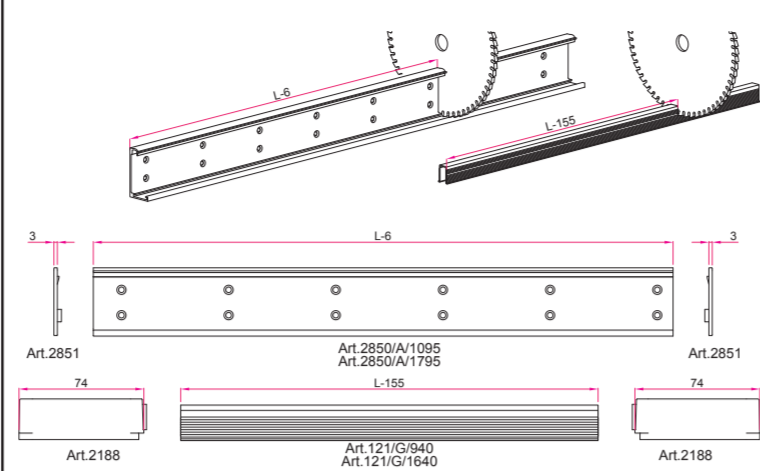


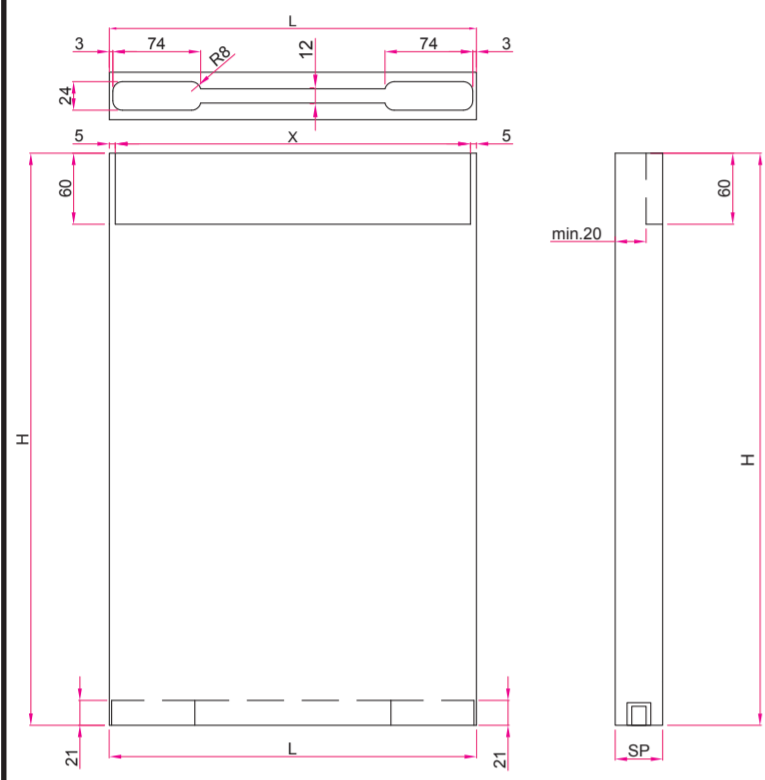
**MOD. SYSTEM MAGIC 2**  
**7002.00974 REV. 02**



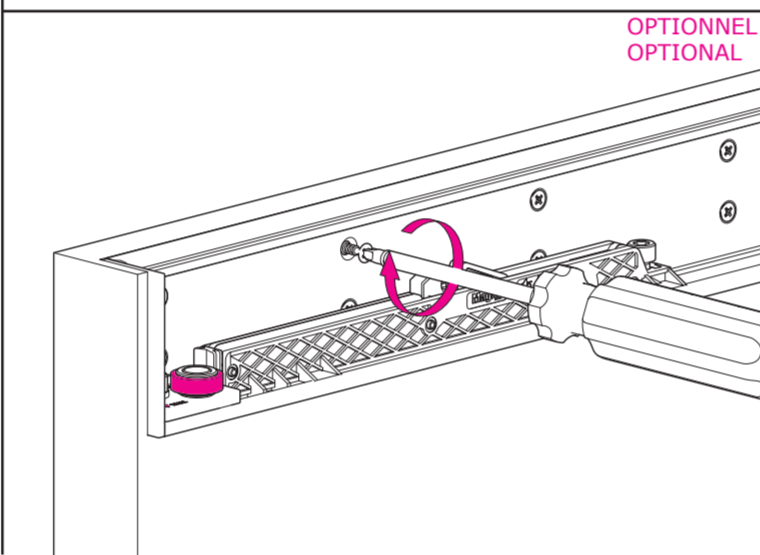
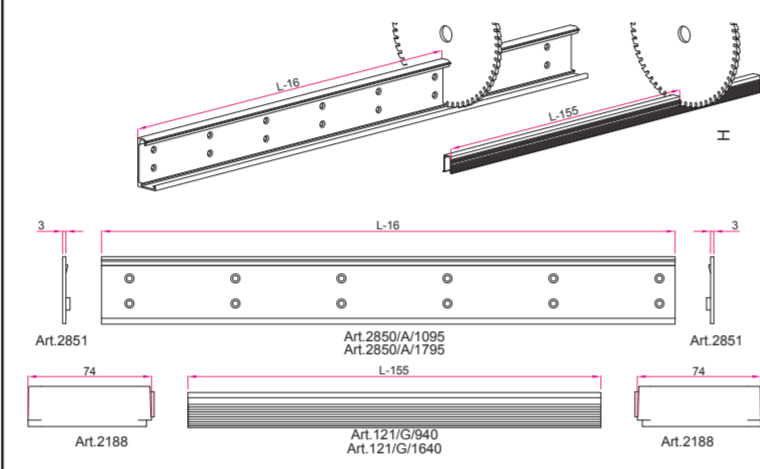
MESURES DE COUPE DE PROFILÉS  
PROFILES CUTTING MEASUREMENTS



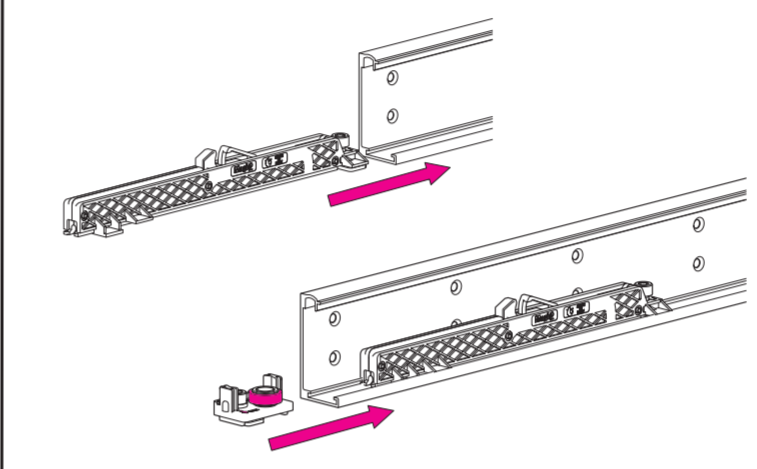
OPTIONNEL / OPTIONAL  
FRAISAGE DISSIMULÉ  
CONCEALED MILLING



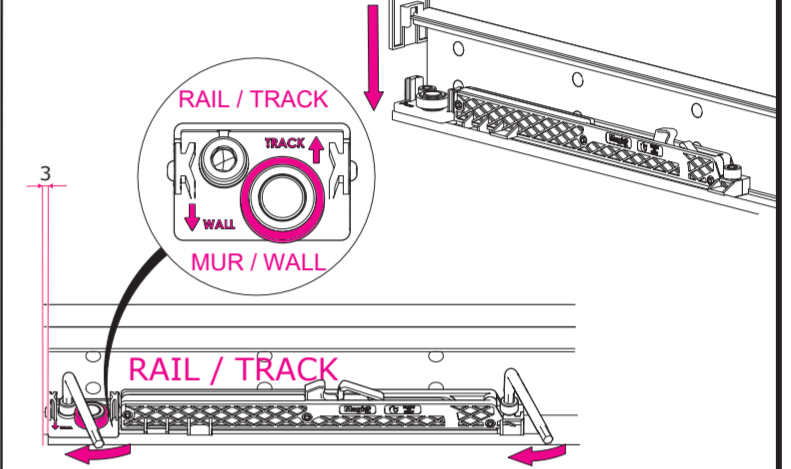
MESURES DE COUPE DES PROFILÉS  
PROFILES CUTTING MEASUREMENTS



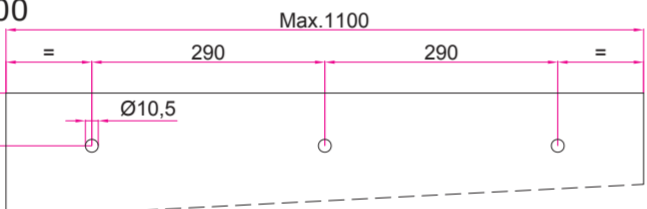
RAIL DE MONTAGE ET ACCESSOIRES  
MOUNTING TRACK AND ACCESSORIES



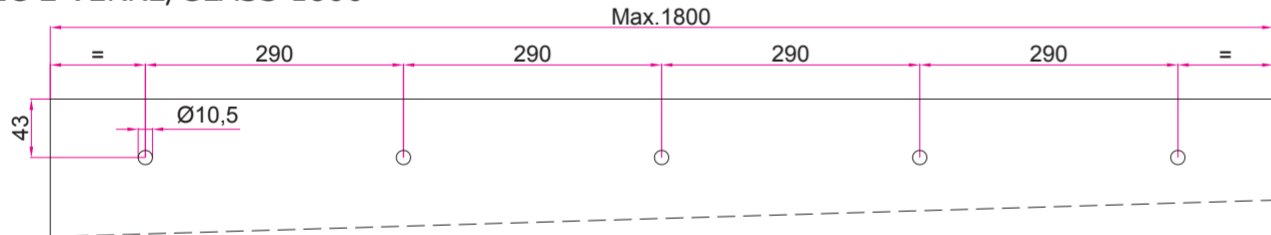
OPTIONNEL / OPTIONAL



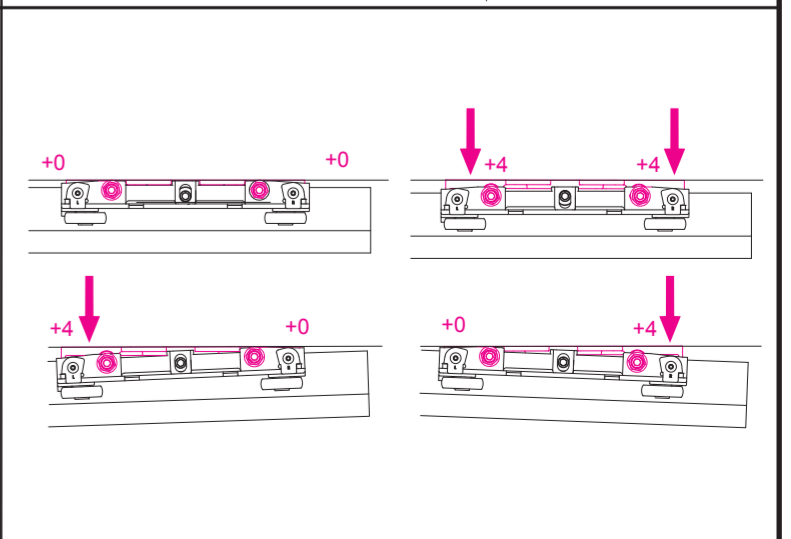
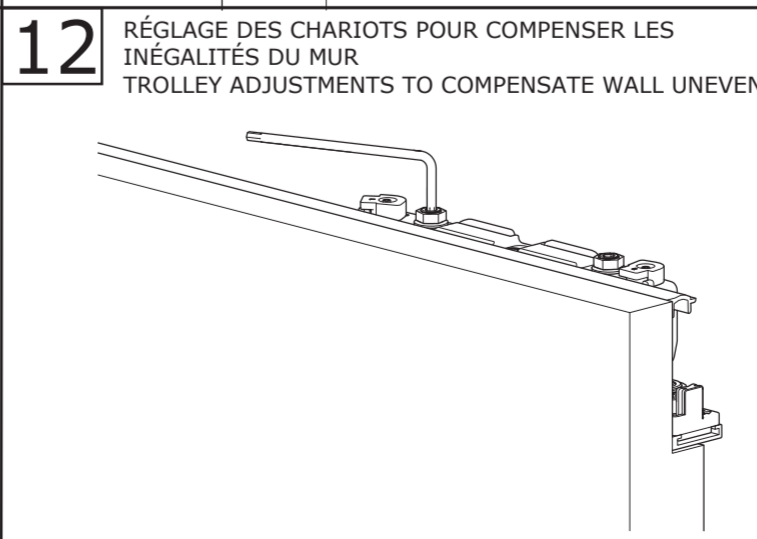
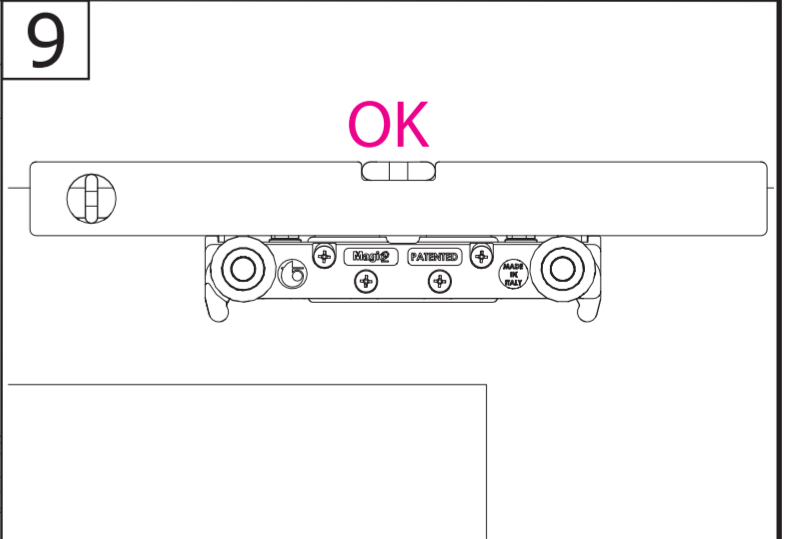
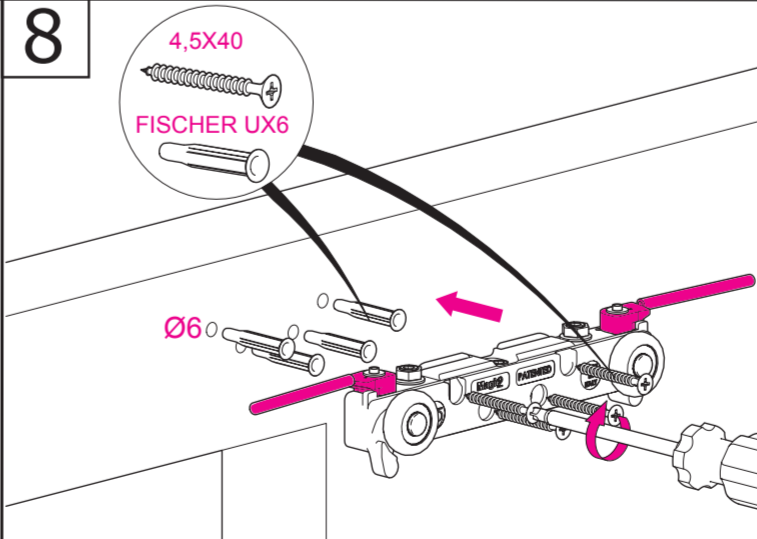
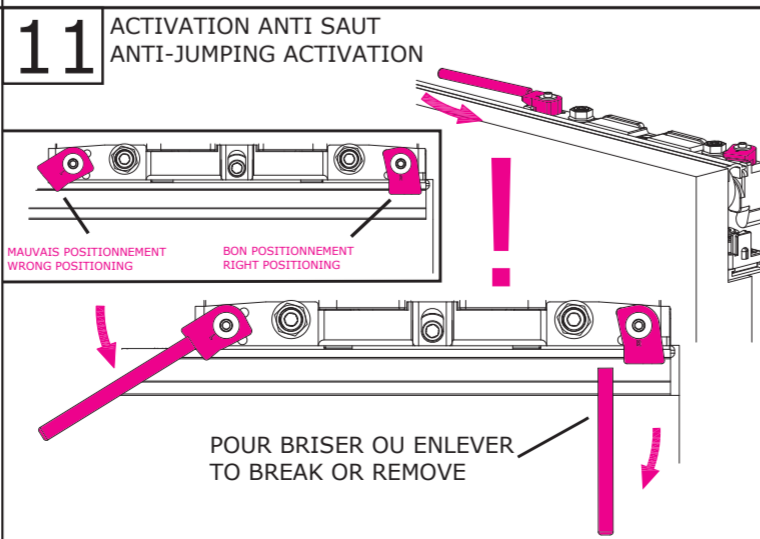
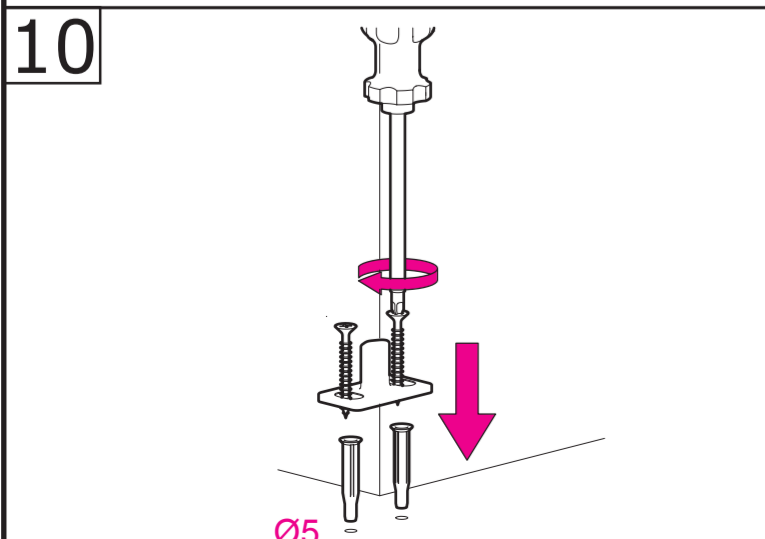
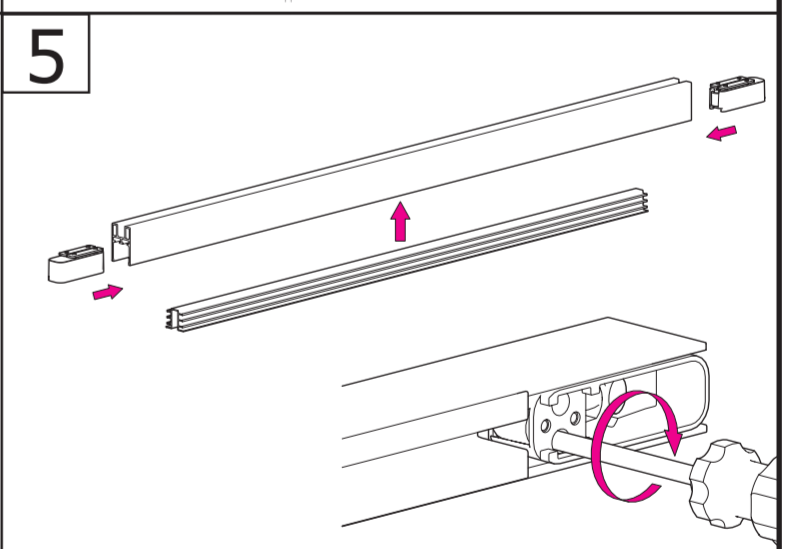
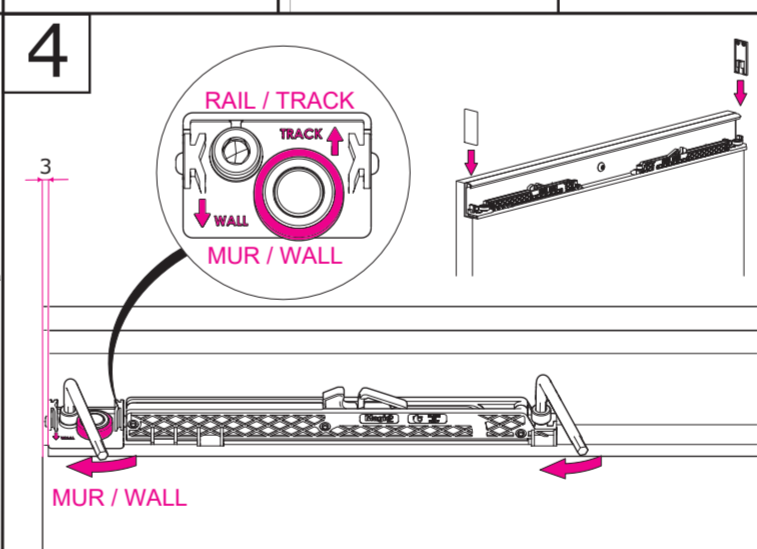
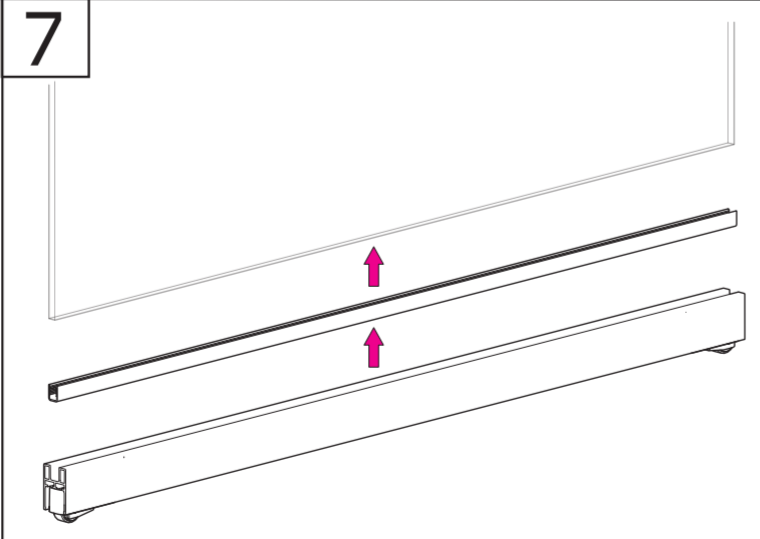
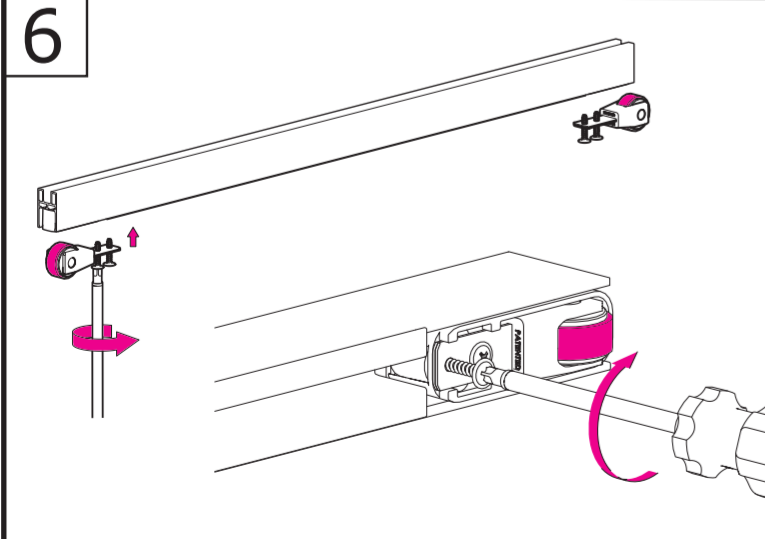
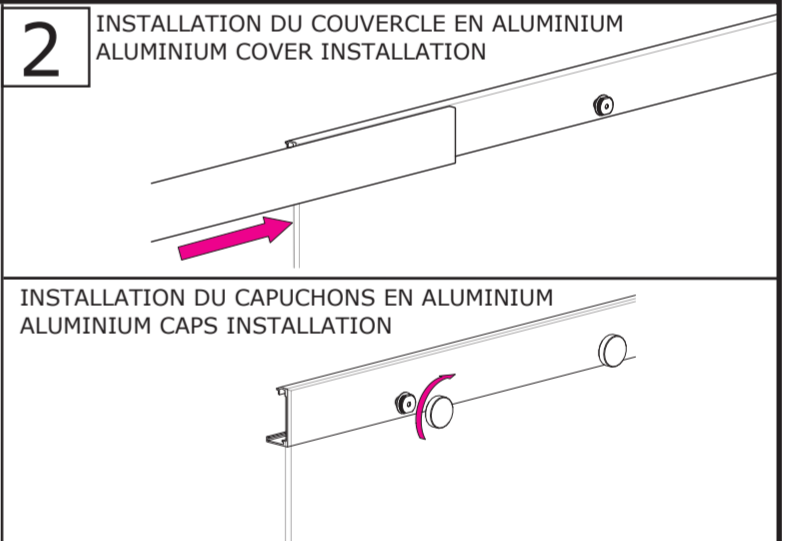
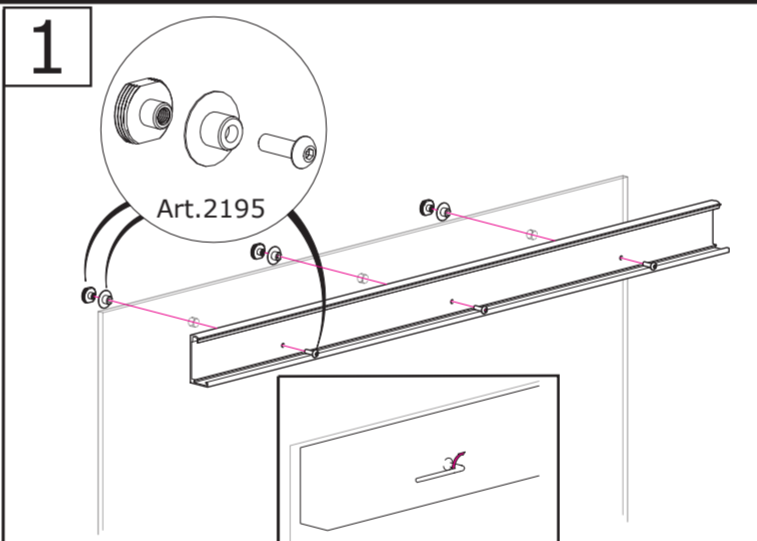
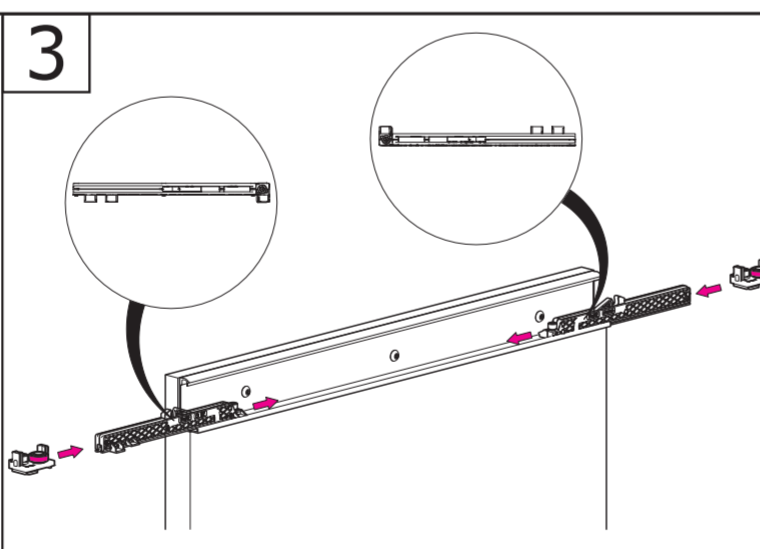
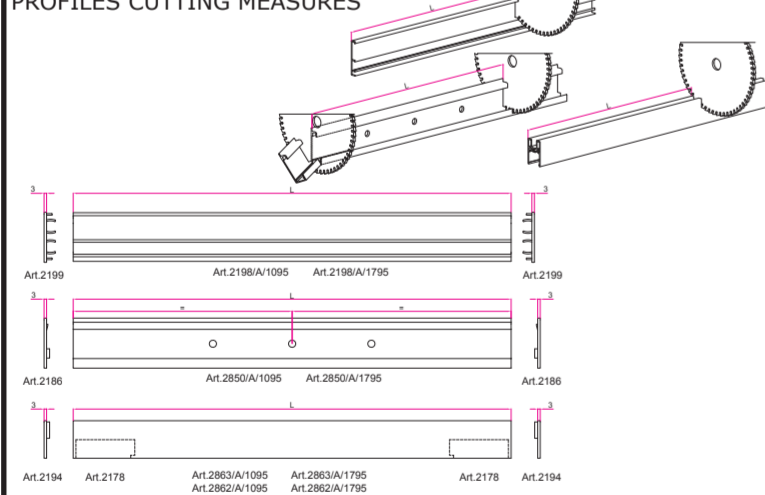
MAGIC 2 VERRE/GLASS 1100



MAGIC 2 VERRE/GLASS 1800



MESURES DE COUPE DES PROFILÉS  
PROFILES CUTTING MEASURES



**13** RÉGLAGE DE LA HAUTEUR DU CHARIOT  
TROLLEY HEIGHT ADJUSTMENT

**14** À FIXER APRÈS L'INSTALLATION  
TO FIX AFTER INSTALLATION

**FIXER**  
**FIX**

**15** POUR RÉGLER LE POSITIONNEMENT DE LA PORTE, IL EST POSSIBLE DE DÉPLACER L'AMORTISSEUR  
IN ORDER TO ADJUST DOOR POSITIONING IT IS POSSIBLE TO MOVE THE DAMPER

**16** AUTO-ACTIVATION DE L'AMORTISSEUR  
SELF ACTIVATION OF DAMPER

**17** INTERRUPTEUR DE FIN DE COURSE EN OPTION  
OPTIONAL LOWER END-STOPPER

4X30  
FISCHER SX5

**18** BON POSITIONNEMENT  
RIGHT POSITIONING

**NON**  
**NO**

**OK**

**19** AUTOCOLLANT FACULTATIF  
OPTIONAL STICKER

RECOMMANDÉ POUR LES APPLICATIONS DANS LES ESPACES PUBLICS, LES HÔTELS ET LES RÉSIDENCES.  
RECOMMENDED FOR APPLICATIONS IN PUBLIC SPACES, HOTELS AND RESIDENCES.

BOIS WOOD

VERRE GLASS

Min.40

60

MIN.60

20 (MAX)

10

h=Y+60-10

Y

SP

D=12 (MIN)

D=22

D=32 (MAX)

H

H-32

60

43

Min.40

Min.60

8

10

12

32

32

32

32

Y

H

H-32

8

10

12

32

32

32

Y

Art.MAGIC2/1100

X = Min.800mm (L=850)  
X = Max.1050mm (L=1100)

B = 50

X = Min.800mm (L=900)  
X = Max.1000mm (L=1100)

Art.MAGIC2/1800

X = Min.800mm (L=850)  
X = Max.1750mm (L=1800)

B = 50

X = Min.800mm (L=900)  
X = Max.1700mm (L=1800)

B = 0mm MIN.  
B = 50mm SUGGERE (SUGGESTED)

Art.MAGIC2/1100

X = Min.740mm (L=850)  
X = Max.990mm (L=1100)

B = 50

X = Min.740mm (L=900)  
X = Max.940mm (L=1100)

Art.MAGIC2/1800

X = Min.740mm (L=850)  
X = Max.1690mm (L=1800)

B = 50

X = Min.740mm (L=900)  
X = Max.1640mm (L=1800)

B = 0mm MIN.  
B = 50mm SUGGERE (SUGGESTED)

OUVERTURE VERS LA GAUCHE  
LEFT OPENING

OUVERTURE VERS LA DROITE  
RIGHT OPENING

Art.MAGIC2/1100

X = Min.680mm (L=850)  
X = Max.930mm (L=1100)

B = 50

X = Min.680mm (L=900)  
X = Max.880mm (L=1100)

Art.MAGIC2/1800

X = Min.680mm (L=850)  
X = Max.1630mm (L=1800)

B = 50

X = Min.680mm (L=900)  
X = Max.1580mm (L=1800)

B = 0mm MIN.  
B = 50mm SUGGERE (SUGGESTED)

Art.MAGIC2/1100

X = Min.680mm (L=850)  
X = Max.930mm (L=1100)

B = 50

X = Min.680mm (L=900)  
X = Max.880mm (L=1100)

Art.MAGIC2/1800

X = Min.680mm (L=850)  
X = Max.1630mm (L=1800)

B = 50

X = Min.680mm (L=900)  
X = Max.1580mm (L=1800)

B = 0mm MIN.  
B = 50mm SUGGERE (SUGGESTED)

OUVERTURE VERS LA GAUCHE  
LEFT OPENING

OUVERTURE VERS LA DROITE  
RIGHT OPENING

Art.MAGIC2/1100

X = Min.680mm (L=850)  
X = Max.930mm (L=1100)

B = 50

X = Min.680mm (L=900)  
X = Max.880mm (L=1100)

Art.MAGIC2/1800

X = Min.680mm (L=850)  
X = Max.1630mm (L=1800)

B = 50

X = Min.680mm (L=900)  
X = Max.1580mm (L=1800)

B = 0mm MIN.  
B = 50mm SUGGERE (SUGGESTED)

Art.MAGIC2/1100

X = Min.680mm (L=850)  
X = Max.930mm (L=1100)

B = 50

X = Min.680mm (L=900)  
X = Max.880mm (L=1100)

Art.MAGIC2/1800

X = Min.680mm (L=850)  
X = Max.1630mm (L=1800)

B = 50

X = Min.680mm (L=900)  
X = Max.1580mm (L=1800)

B = 0mm MIN.  
B = 50mm SUGGERE (SUGGESTED)

OUVERTURE VERS LA GAUCHE  
LEFT OPENING

OUVERTURE VERS LA DROITE  
RIGHT OPENING