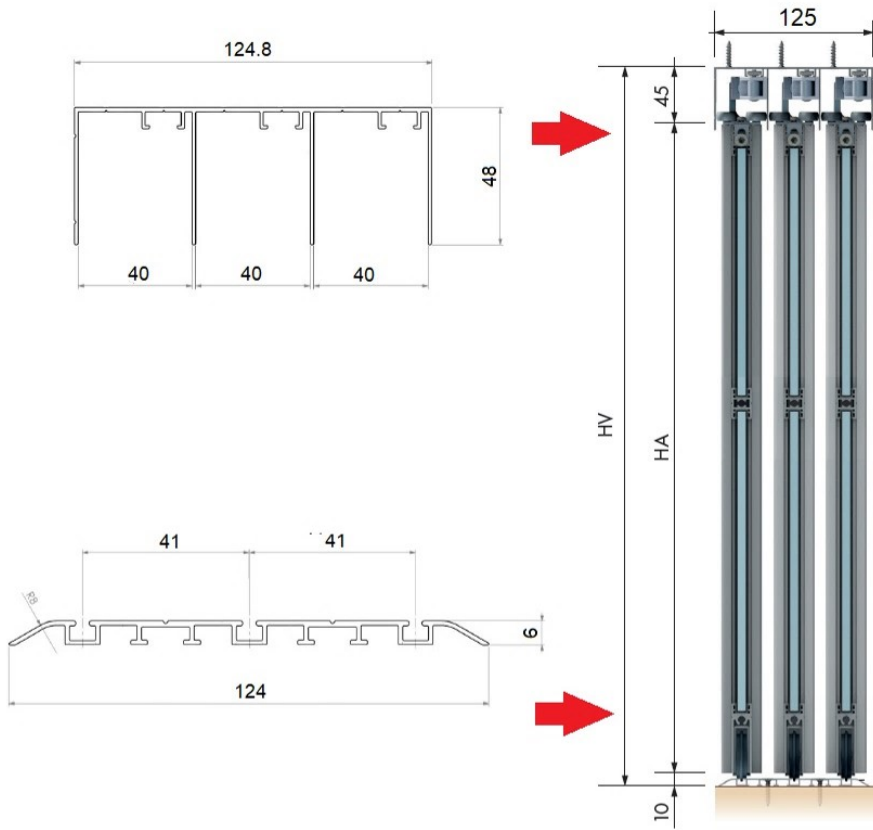


BRIDGE 500

89K4083DR310 Silver Anodized / Aluminum Satiné

89K4083DR390 Satin Black anodized / anodisé Noir Satiné



60 kg
132 lb

