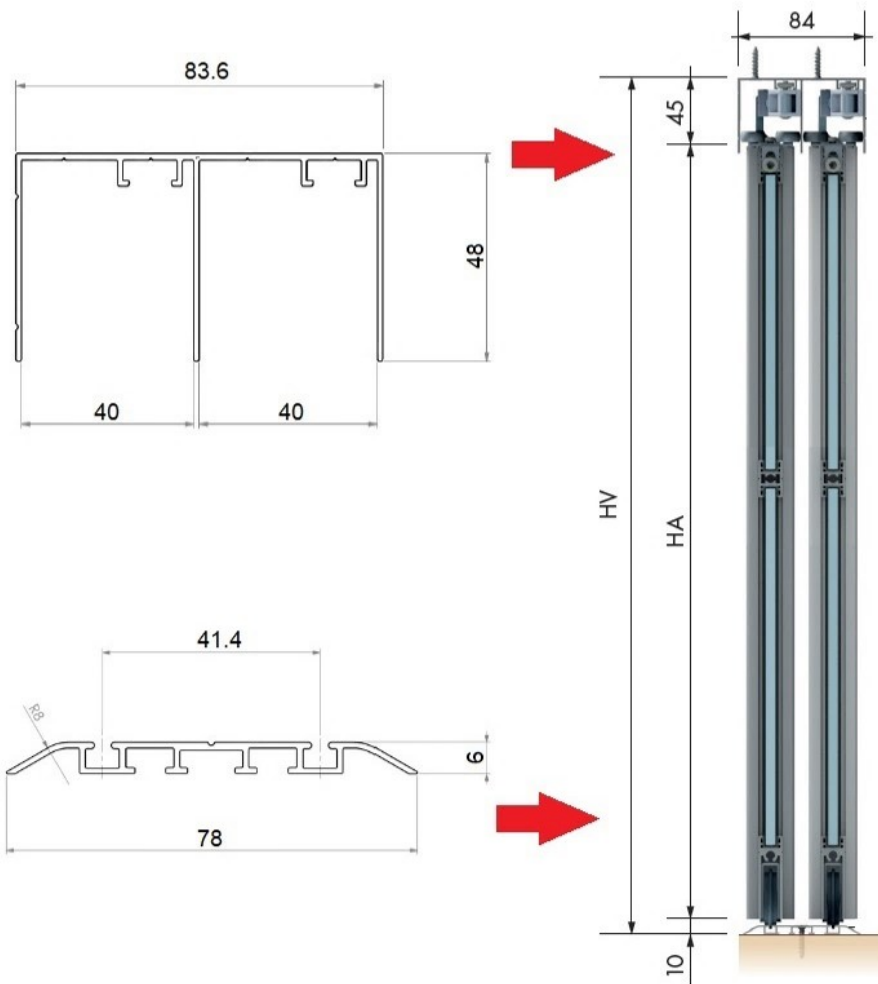


# BRIDGE 500

**89K4072DR210** Silver Anodized / Aluminum Satiné

**89K4072DR290** Satin Black anodized / anodisé Noir Satiné



60 kg  
132 lb

