







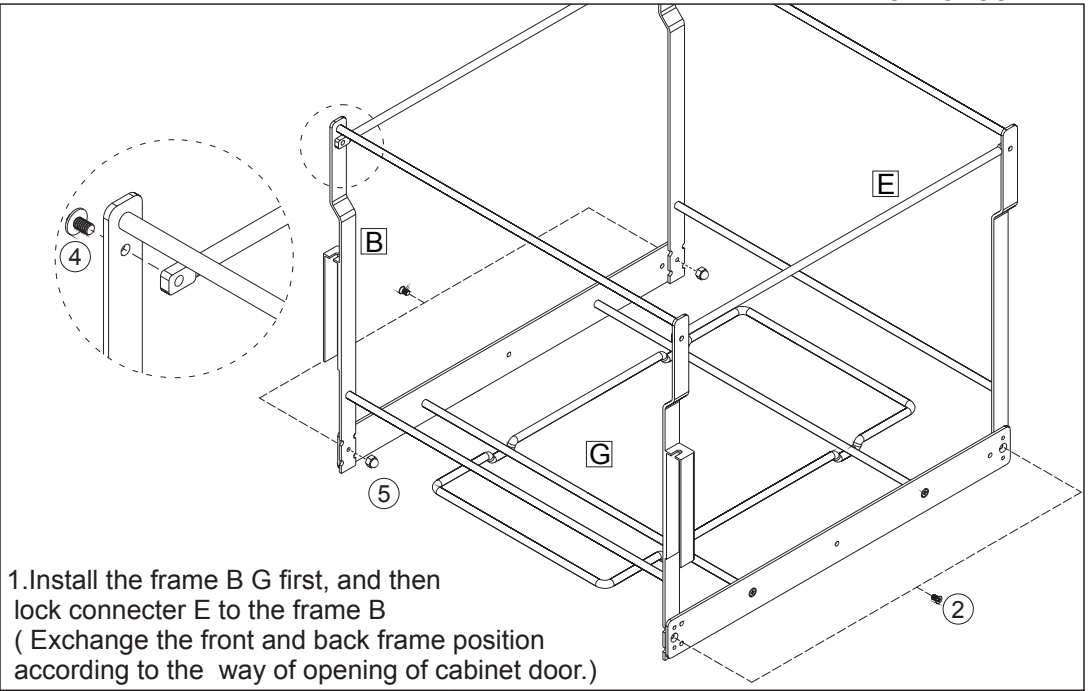
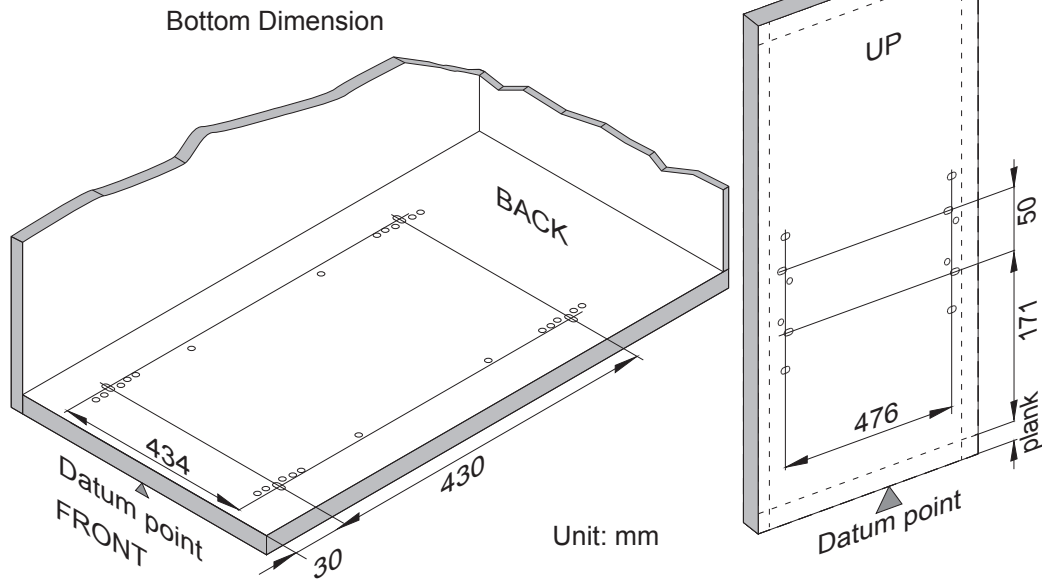
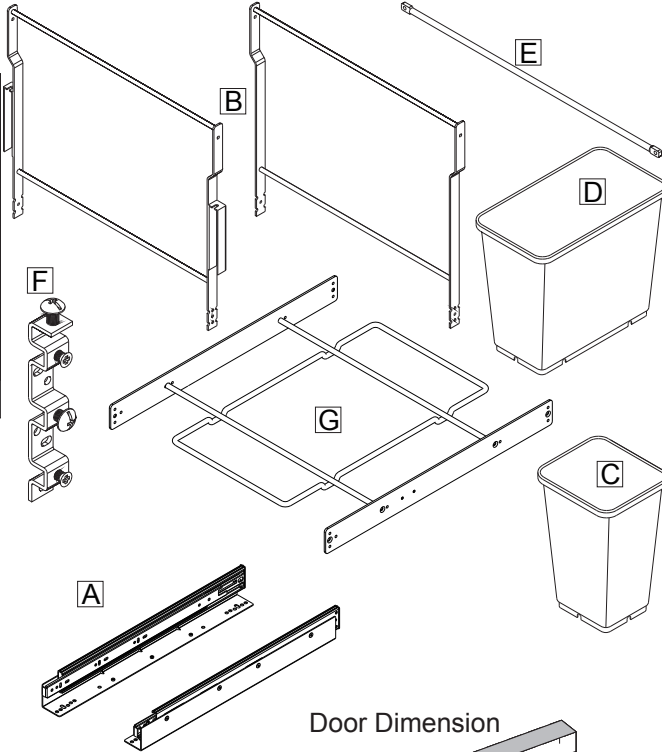
ITEM NO: FJ168-1(76000140)
Pull-out Waste Bin

PANELS CHECK LIST

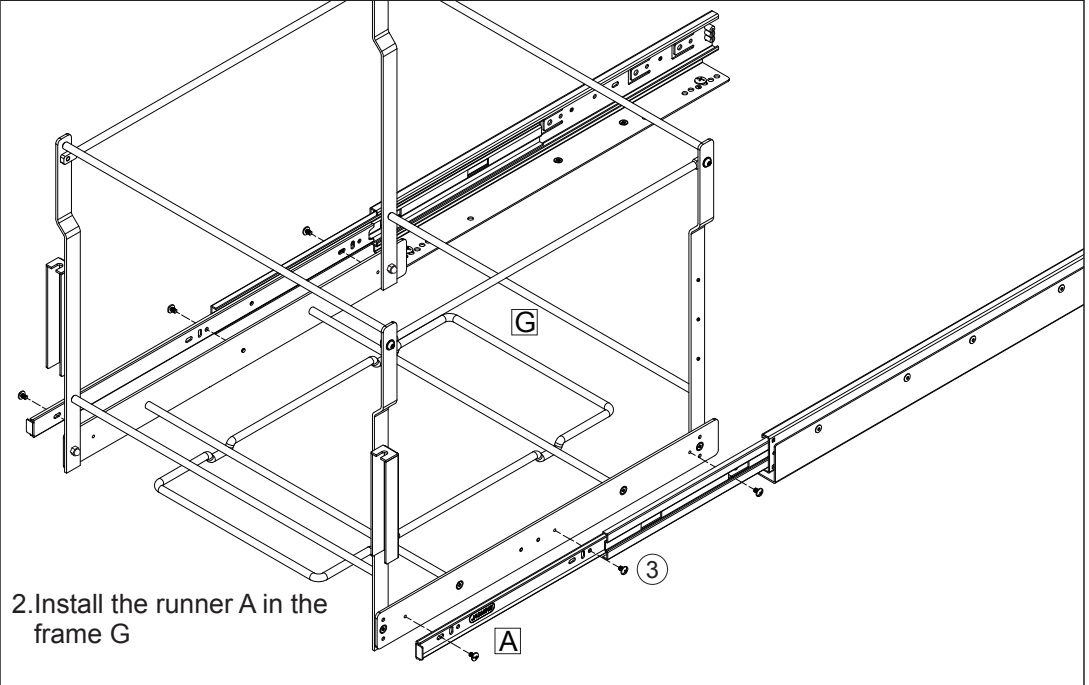
Description	QTY
A Base frame runner	1
B Frame	1
C Waste Bin (Available accessories)	
D Waste Bin (Available accessories)	
E Connector	2
F Door bracket	2
G Frame	1

FITTINGS CHECK LIST

Description	QTY
1 Wood Screw 	8
2 Screw 	8
3 Screw 	6
4 Screw 	4
5 Nut 	4
6 Wood Screw 	8

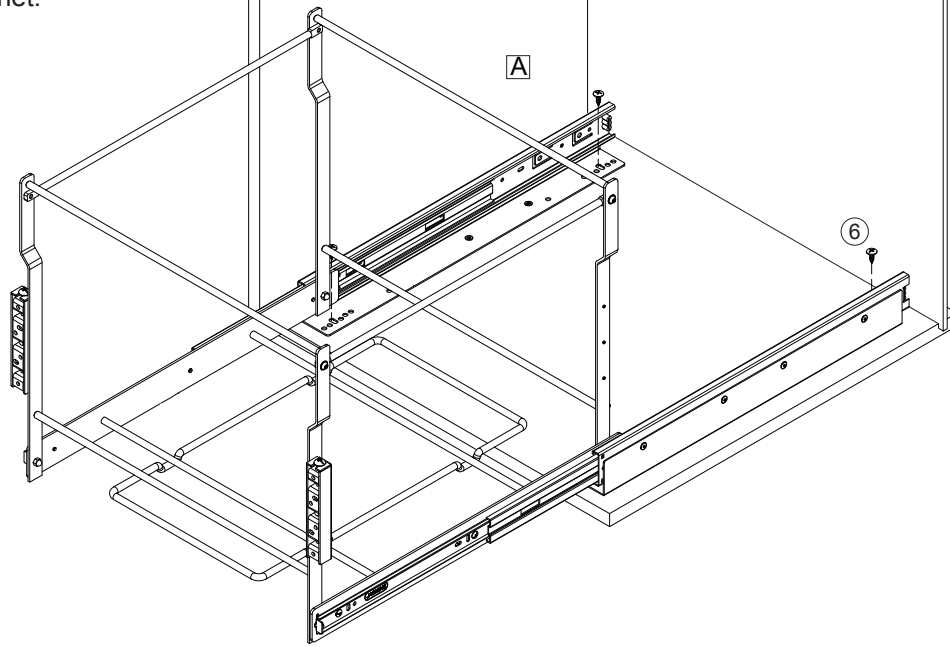


1. Install the frame B G first, and then lock connector E to the frame B
(Exchange the front and back frame position according to the way of opening of cabinet door.)

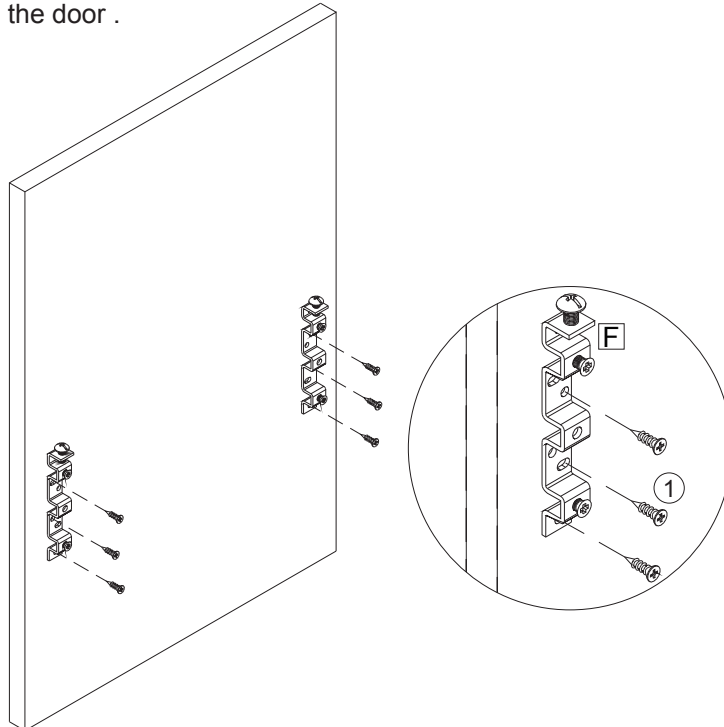


2. Install the runner A in the frame G

3. Fix the runner A to the bottom of the cabinet.



4. Fix the door brackets to the door .



5. Then fix F to the frame B. Put the waste bin on the base frame B.

