



87301250 Double shelves unit



87301150 Single shelf unit

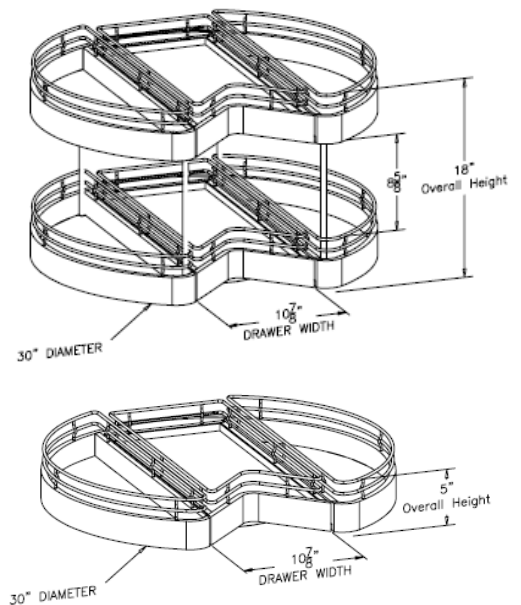


Optimize your corner cabinet storage with these swiveling shelves. Available with 2 shelves or single shelf.



Advantages

- Designed to fit most of 36" base cabinets.
- This system rotates at 360° to give access to all its content.
- Each shelf makes 30" diameter.
- The middle part of the shelf is a 25" deep pull-out drawer to bring items stored toward to you.
- This drawer is equipped with a soft-close full extension slide giving a total access.
- The shelf have a 4 ½" rim height including an elegant chrome gallery to prevent items from falling.
- Made of maple and birch with a catalyzed natural finish.
- Delivered completely assembled except for the heavy duty cast aluminum bearing that is unattached for installation purposes.



# Prod	Description	W	D	H	Finish
87301250	SUSAN 3/4 DBLE SH.W/DRWR.MAPLE	30" (762mm)	30" (762mm)	18" (457mm)	Maple
87301150	SUSAN 3/4 SINGLE SH.W/DRWR.MPL	30" (762mm)	30" (762mm)	5" (127mm)	Maple