

P 6 3 9 7

Titus

THIS DOCUMENT IS CONFIDENTIAL AND OUR PROPERTY AND WE RESERVE ALL RIGHTS WORLDWIDE. IT MUST NOT BE COPIED OR SHOWN TO OTHERS FOR ANY PURPOSE EXCEPT THAT FOR WHICH IT IS PROVIDED.

© TITUS 2011
 ALL UNSPECIFIED TOLERANCES :-
 ANGLES: +/ -0.5° 0.0: +/ -0.3 0.00: +/ -0.2 0.000: +/ -0.1

TITLE
non-expando SYSTEM 6 assembly
OUTRIGGER, drop-on for 18/19 mm board

MATERIAL
 NYLON 66 + zamak 5
 ALL DIMS IN mm's
 3rd ANGLE

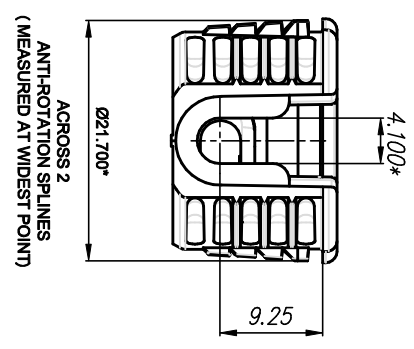
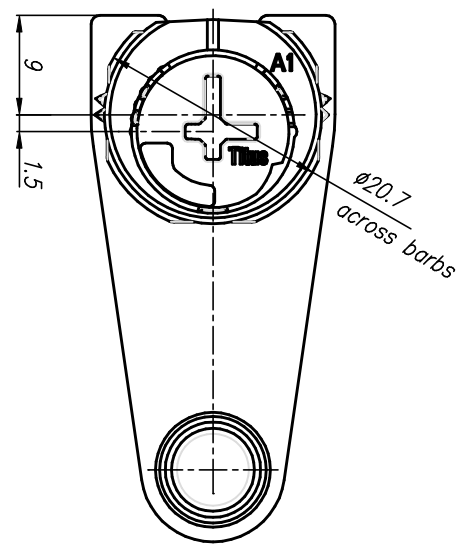
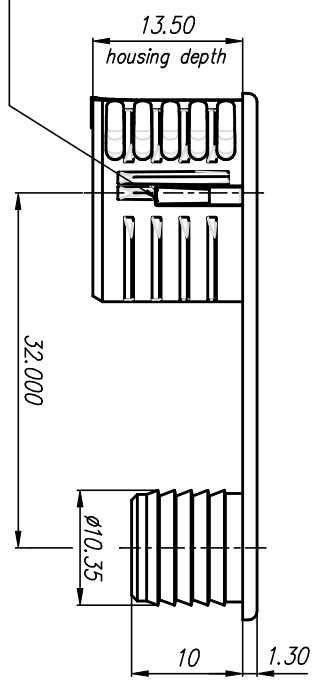
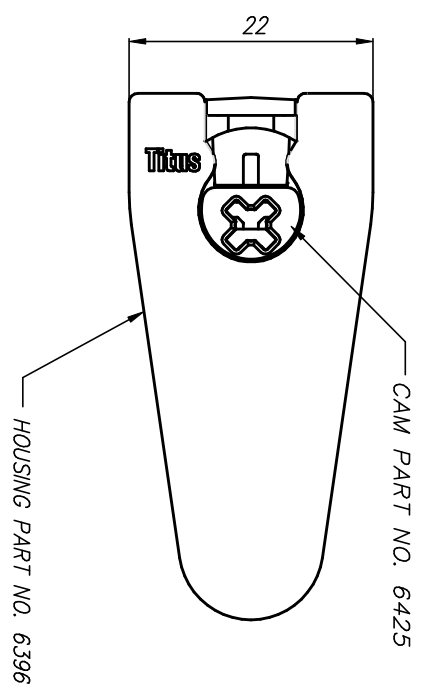
DESIGN: A.Stak
 DRAWN: A.Stak
 CHK'D BY:
 DATE: 10/NOV/2011

PART No.
6397
 NPD No. 703
 SCALE: 5:1

REVISIONS	No./date	details
1		INITIAL DRAWING
	10/NOV/2011	

NOTE: ALL WORK UNDERTAKEN WITH REFERENCE TO THIS DRAWING MUST BE IN ACCORDANCE WITH THE COMPANY ENGINEERING STANDARDS MANUAL

NOTE:
 ASSEMBLE CAM INTO HOUSING ORIENTATED AS SHOWN AND PUSHED FULLY HOME WITH LOOKING FEATURE ENGAGED



NOTE:
 DIMENSIONS MARKED THUS * ARE KEY DIMNS