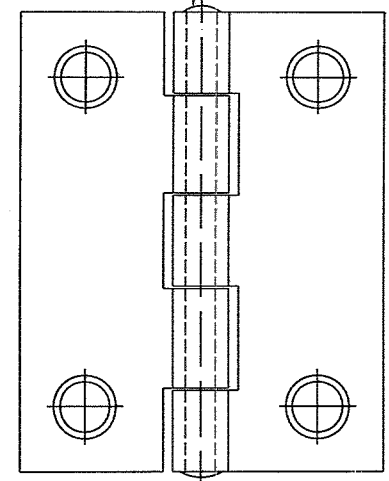
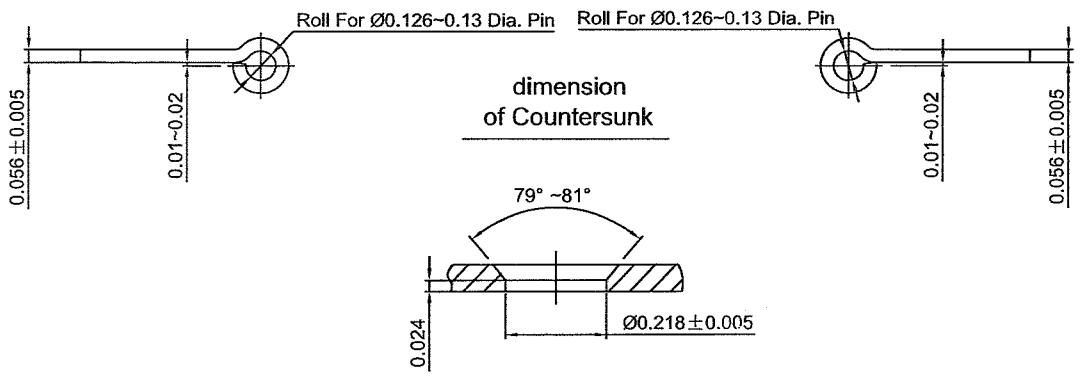


Narrow Butt Hinge With Loose Pin  
 Ø0.126~0.130 Dia. Pin  
 Spun on the Ends



Narrow Butt Hinge With Fixed Pin



Tolerance  
 All Tolerance unless  
 otherwise noted : ±0.015"

MARKER						Narrow Butt Hinge			
CDJNT	AREA	REVISION	APPROVE	DATE	2"x1-1/2"				
					REVISION	WEIGHT	SCALE	DRAWING NO.	PROJECTION
								MATERIAL	UNITS
					TOTAL 1 PAGE	NO 1 PAGE		FINISH	TOLERANCE