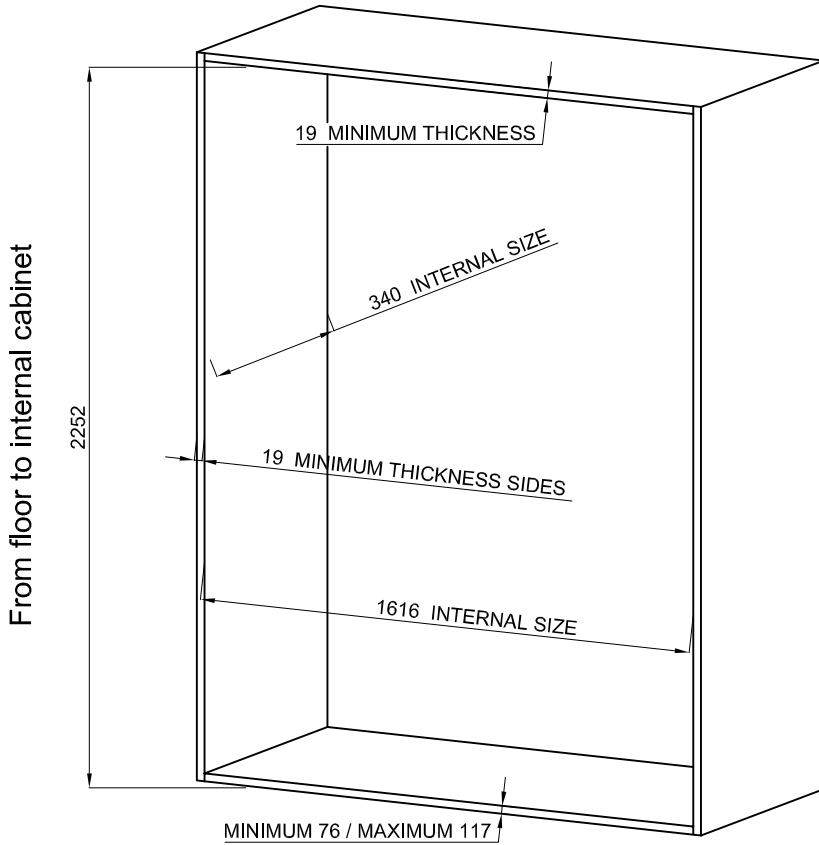
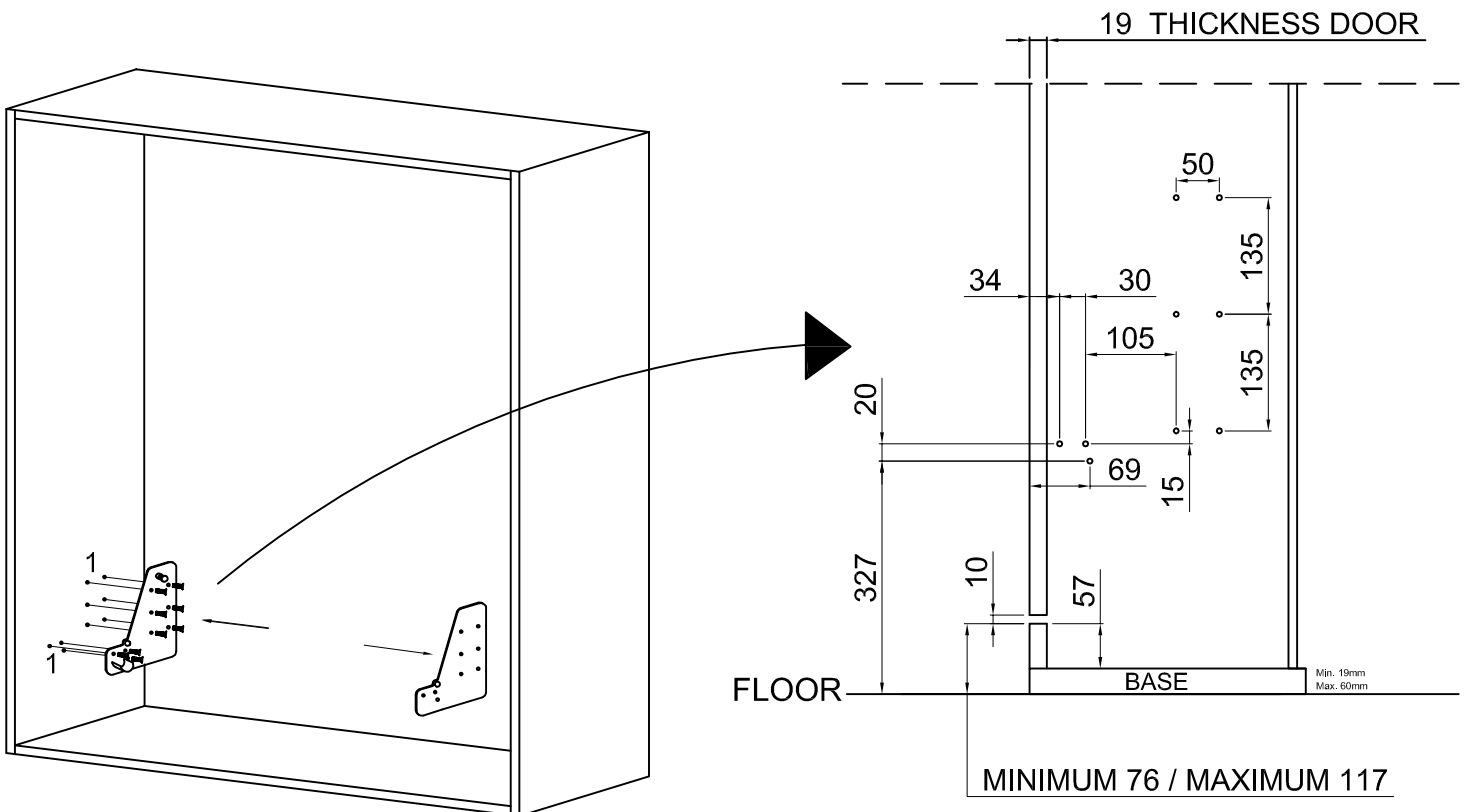


CABINET DIMENSIONS



THICKNESS MATTRESSES 250mm MAX

HOLES ON SIDE PANEL FOR METAL PLATES

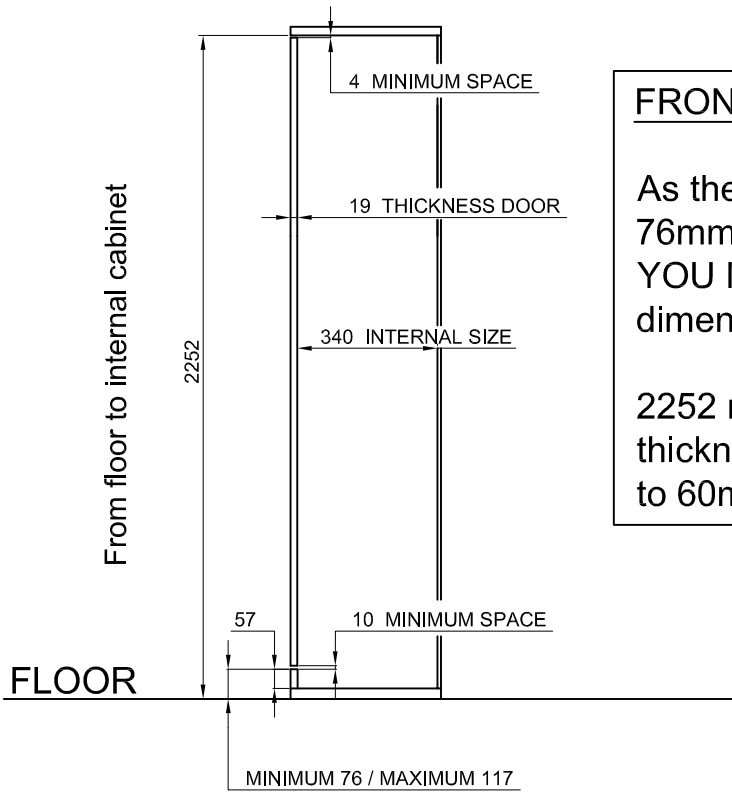


1 COMPASS 6MA
HOLES Ø 8mm DEPTH 17mm

Page	Page 1 of 3	Sizes	mm	Date
Richelieu	Article			ART. 822513

HOLES AND DIMENSIONS FOR DOOR CABINET

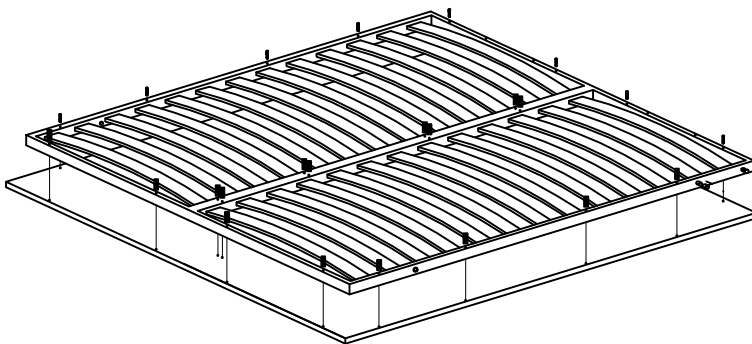
SIDE VIEW



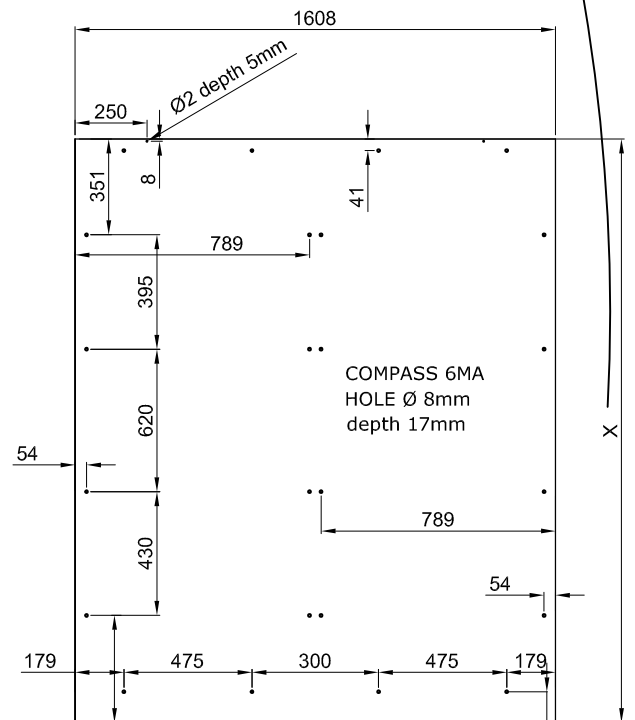
FRONT PANEL DIMENSION

As the thickness of base of cabinet can be from: 76mm (19mm + 57mm) to 117mm (60mm + 57mm), YOU NEED TO DETERMINATE the door dimension as follow:

2252 minus 4, minus 10 (minimum space) minus thickness of your cabinet base (from 19mm + 57mm to 60mm + 57mm)



442 DETRACT DIMENSION BASE CABINET



167 DETRACT DIMENSION BASE CABINET

TUBE 20x20 AND MAGNET

