

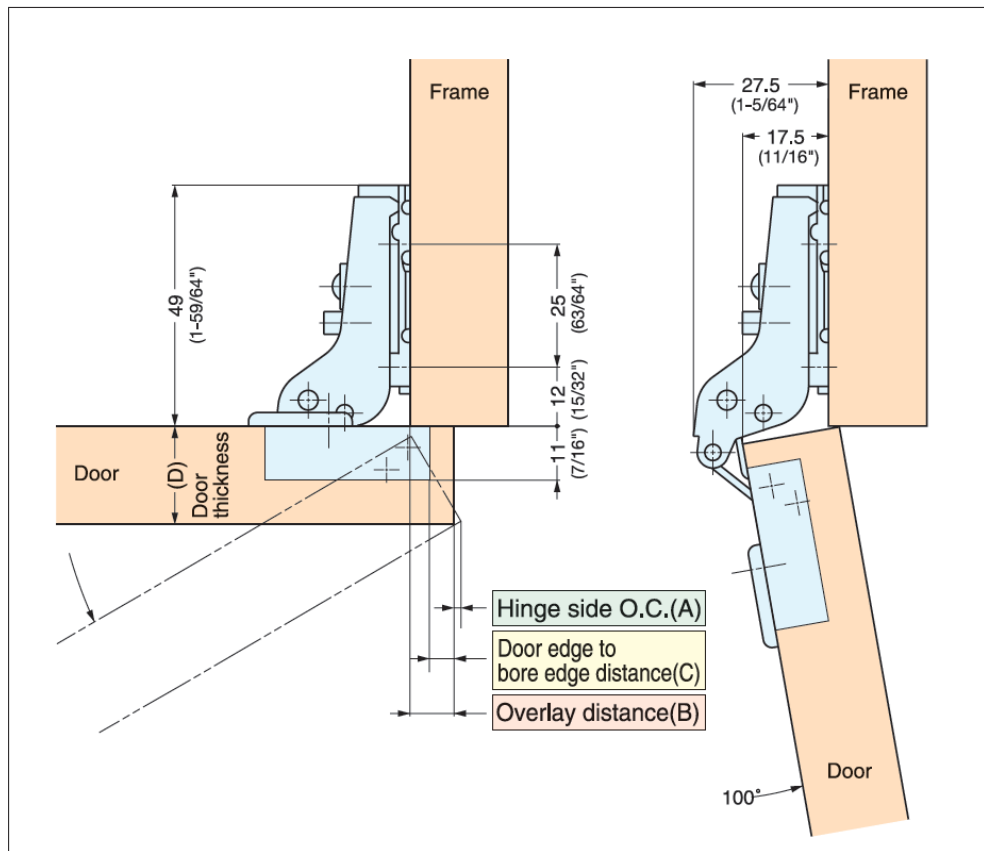


■ Door edge to bore edge distance (C) and Overlay distance (B) Table 1.

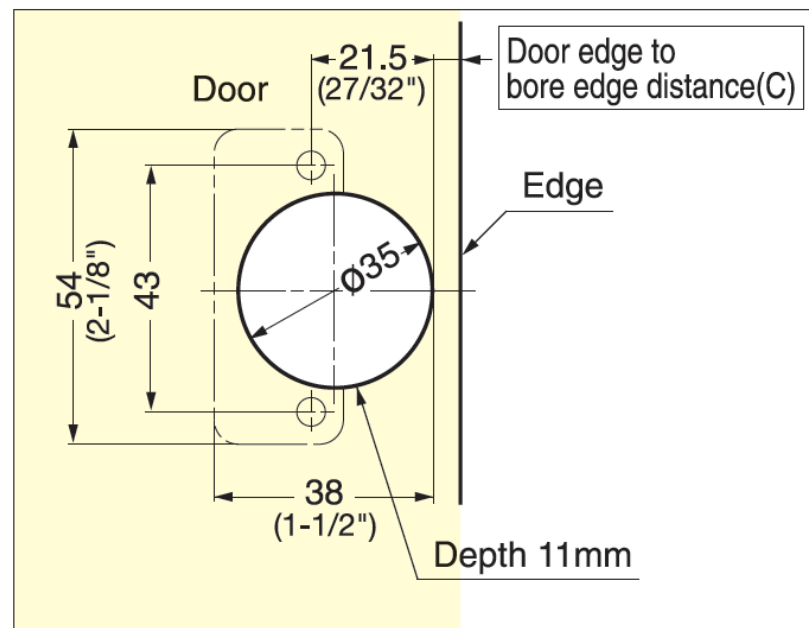
Door edge to bore edge distance (C)	3	4	5
Overlay distance (B)	7	8	9

■ Hinge side opening clearance chart Table 2.

Door thickness (D)	Door edge to bore edge distance (C)		
	3	4	5
15	0.5	0.5	0.5
16	0.7	0.7	0.7
17	0.8	0.8	0.8
18	1.0	1.0	1.0
19	1.2	1.2	1.2
20	1.4	1.4	1.4
Hinge side O.C. (A)			



Sizes in millimeters



Bore Dimensions