

**DIMENSIONS ARE IN mm**

**TOLERANCES**

FRACTIONAL ±

ANGULAR: MACH ± BEND ±

ONE PLACE DECIMAL ±

TWO PLACE DECIMAL ±

MATERIAL: SUS 304

FINISH:

WEIGHT ( GR):

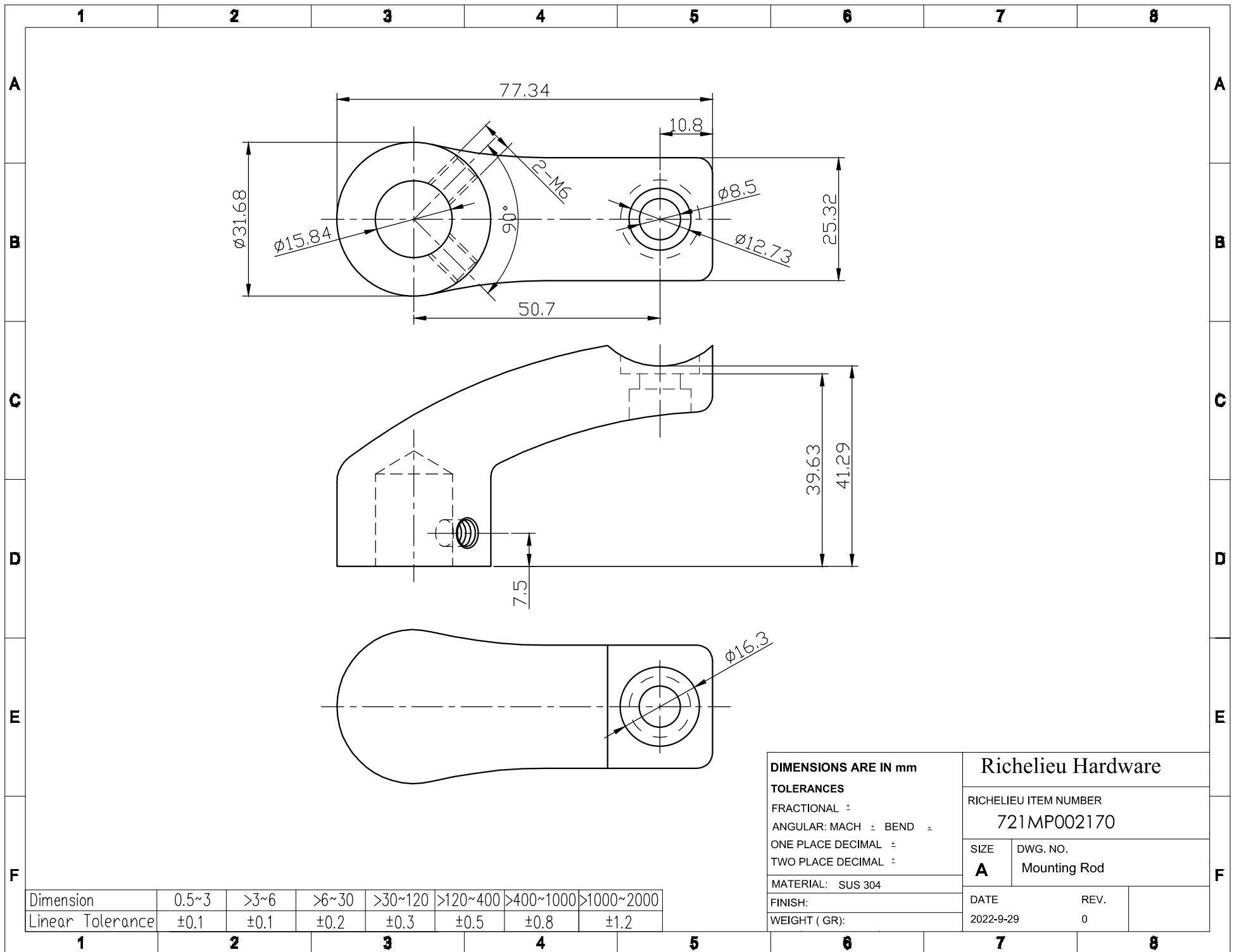
**Richelieu Hardware**

RICHELIEU ITEM NUMBER  
**721MP002170**

SIZE **A** DWG. NO.  
Mounting Rod

DATE 2022-9-29 REV. 0

Dimension	0.5~3	>3~6	>6~30	>30~120	>120~400	>400~1000	>1000~2000
Linear Tolerance	±0.1	±0.1	±0.2	±0.3	±0.5	±0.8	±1.2



**DIMENSIONS ARE IN mm**

**TOLERANCES**

FRACTIONAL ±

ANGULAR: MACH ± BEND ±

ONE PLACE DECIMAL ±

TWO PLACE DECIMAL ±

MATERIAL: SUS 304

FINISH:

WEIGHT ( GR):

<b>Richelieu Hardware</b>		
RICHELIEU ITEM NUMBER <b>721MP002170</b>		
SIZE <b>A</b>	DWG. NO. Mounting Rod	
DATE 2022-9-29	REV. 0	

Dimension	0.5~3	>3~6	>6~30	>30~120	>120~400	>400~1000	>1000~2000
Linear Tolerance	±0.1	±0.1	±0.2	±0.3	±0.5	±0.8	±1.2