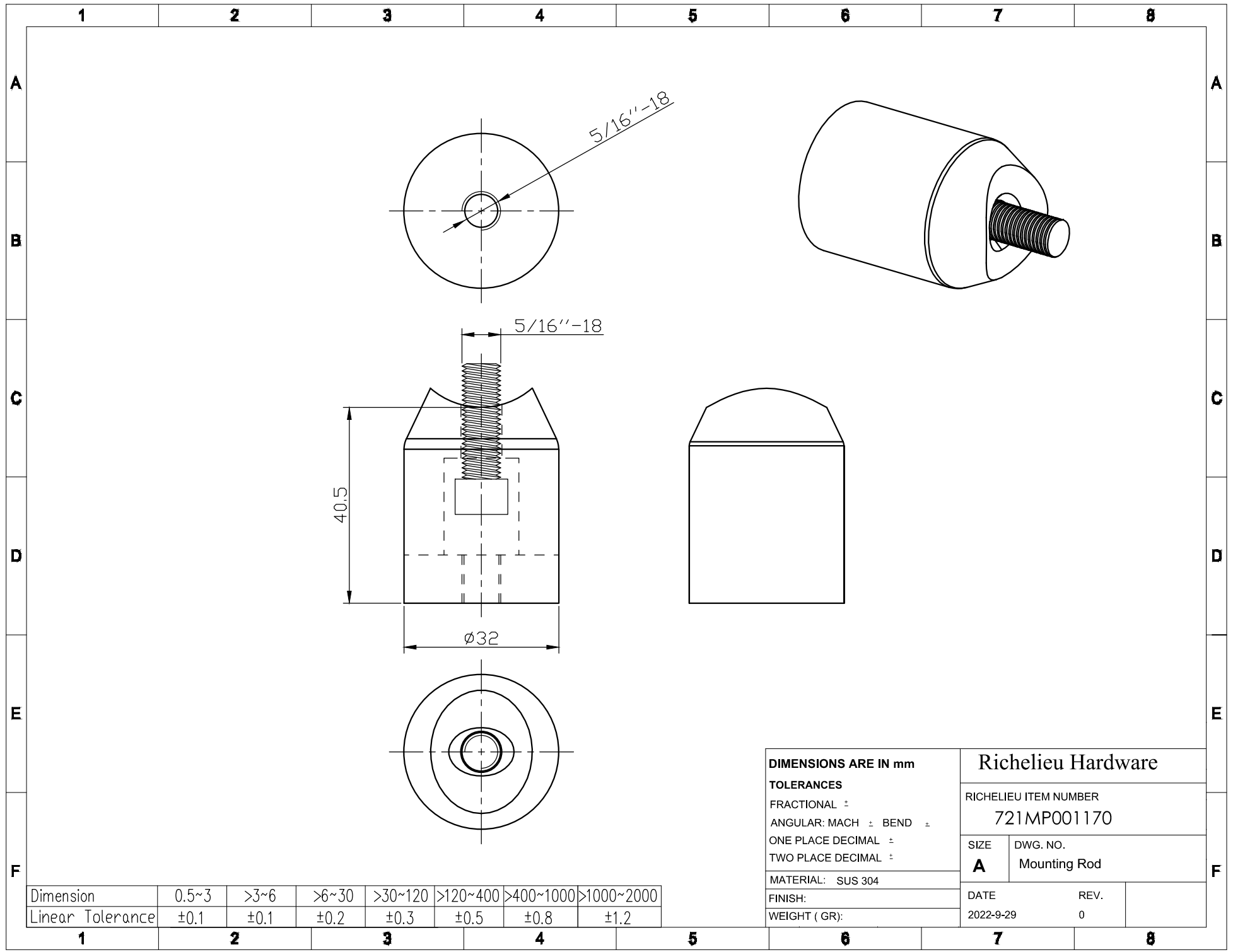


DIMENSIONS ARE IN mm		Richelieu Hardware	
TOLERANCES		RICHELIEU ITEM NUMBER	
FRACTIONAL \pm		721MP001170	
ANGULAR: MACH \pm BEND \pm		SIZE	DWG. NO.
ONE PLACE DECIMAL \pm		A	Mounting Rod
TWO PLACE DECIMAL \pm		DATE	REV.
MATERIAL: SUS 304		2022-9-29	0
FINISH:			
WEIGHT (GR):			

Dimension	0.5~3	>3~6	>6~30	>30~120	>120~400	>400~1000	>1000~2000
Linear Tolerance	± 0.1	± 0.1	± 0.2	± 0.3	± 0.5	± 0.8	± 1.2



DIMENSIONS ARE IN mm

TOLERANCES

FRACTIONAL ±

ANGULAR: MACH ± BEND ±

ONE PLACE DECIMAL ±

TWO PLACE DECIMAL ±

MATERIAL: SUS 304

FINISH:

WEIGHT (GR):

Richelieu Hardware

RICHELIEU ITEM NUMBER
721MP001170

SIZE **A** DWG. NO.
Mounting Rod

DATE 2022-9-29 REV. 0

Dimension	0.5~3	>3~6	>6~30	>30~120	>120~400	>400~1000	>1000~2000
Linear Tolerance	±0.1	±0.1	±0.2	±0.3	±0.5	±0.8	±1.2

1 2 3 4 5 6 7 8

A
B
C
D
E
F

A
B
C
D
E
F

1 2 3 4 5 6 7 8