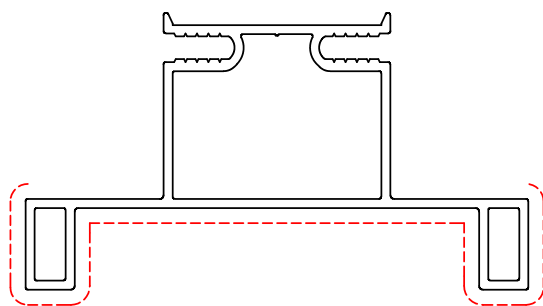
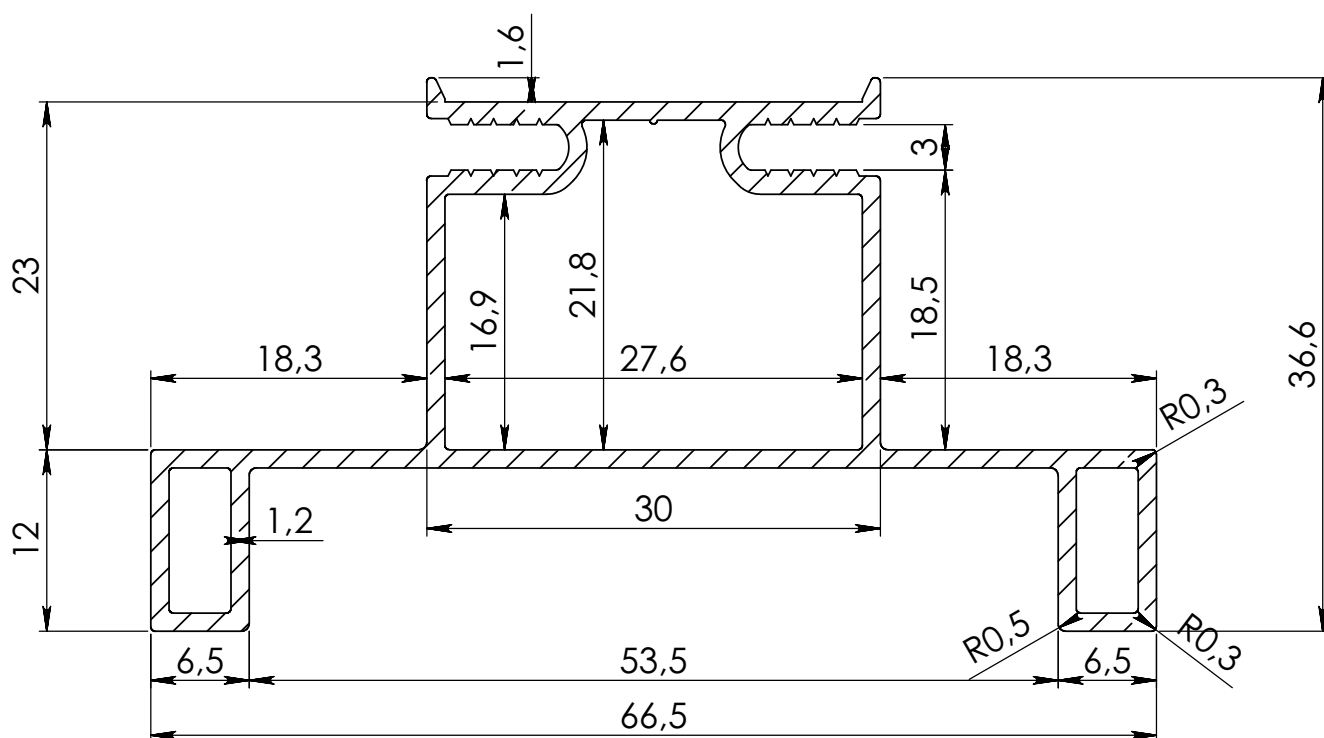


Tabella tolleranze / Tolerance table [mm]									
da / from >	0	10	15	30	50	80	110	150	200
a / to ≤	10	15	30	50	80	110	150	200	250
Tolleranza Tolerance	0.15	0.20	0.30	0.40	0.60	0.90	1.20	1.80	2.00



Art. 70010360440900