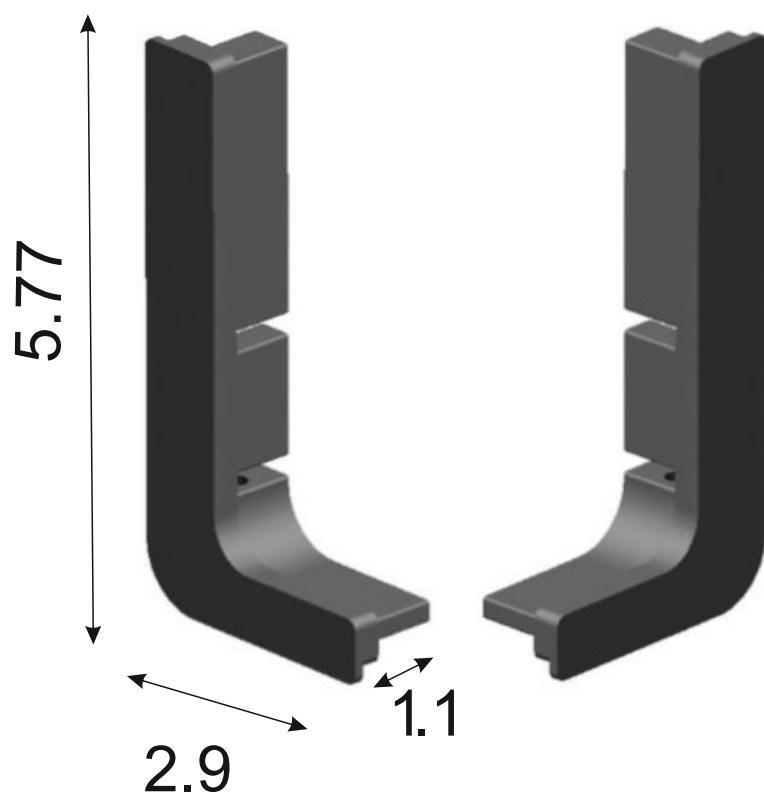


MEASUREMENTS



*The dimension are in CM