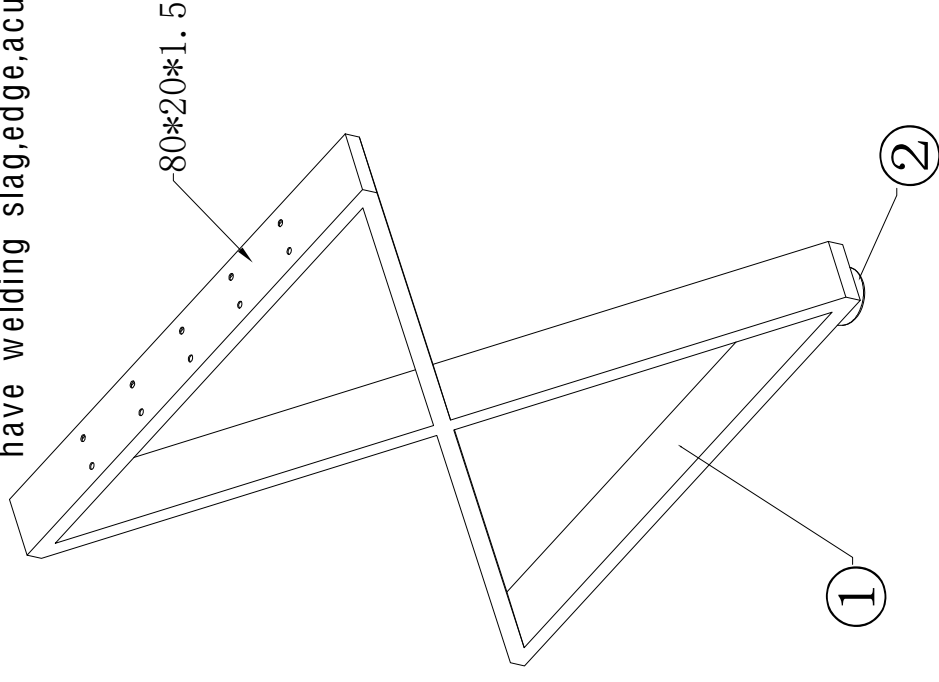
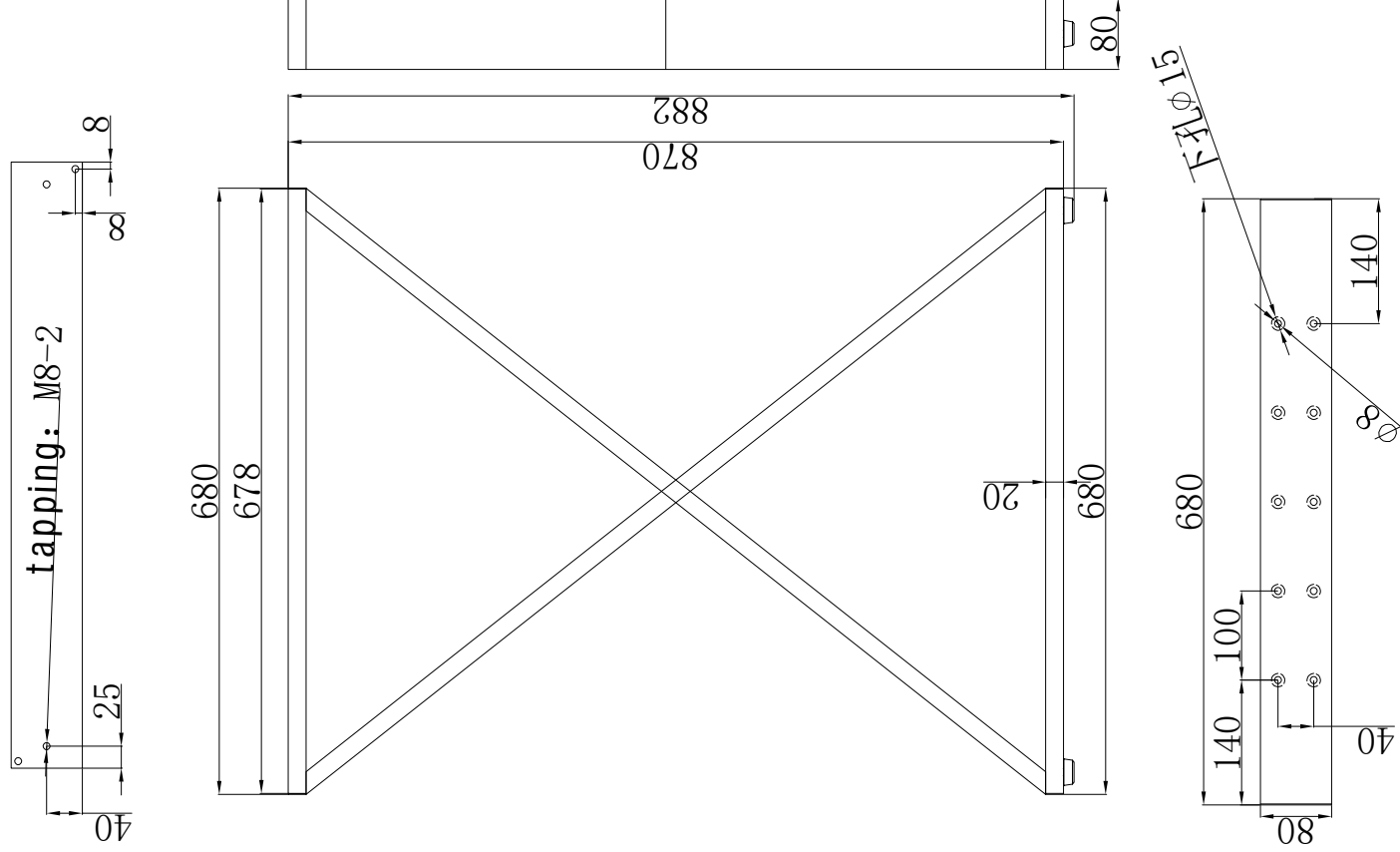


Note: 1. The welding place shall be fully welded and polished

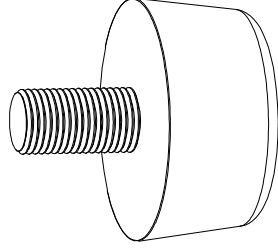
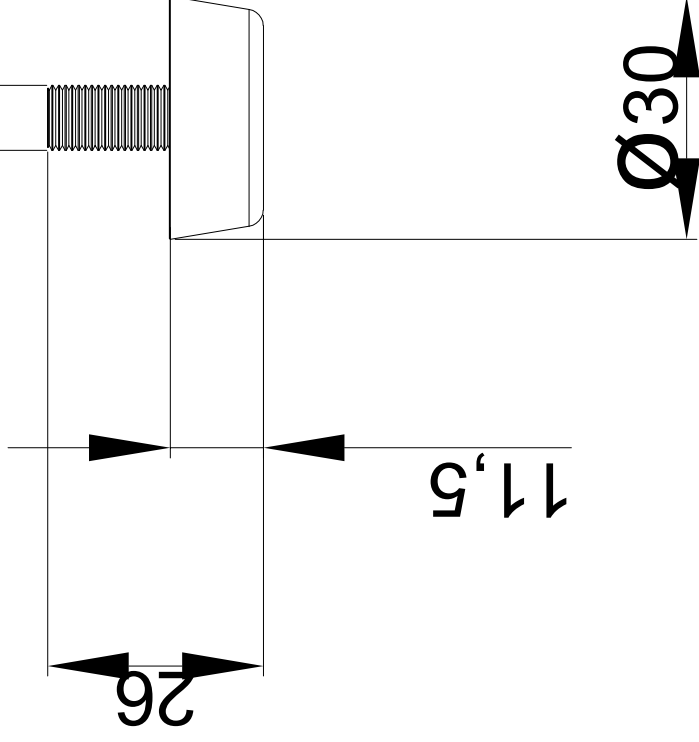
2. The smooth surface can not have welding slag, edge, acute Angle



No	Name of parts	Qty	unit:	MM
1	Table leg	1		
2	adjustable leg	2		
3			Tolerance	±3
4			Digit	0.0
5			material:	A3
6			Finished:	Based on order
7			900/909/174/170:	
8				

RichelieuHardware	
Product size	W680*H870
Item No	68080870XXX
A4	制图
	审核
刘泽华	
2023-11-7	A版
共 2 页	第 1 页

m8



Unit:	MM	
Qty:	2	
Tolerance:	± 1	
Digit:	0.0	
Material:	A3	
Color:	Black	
RichelieuHardware		
Product:	68080870XXX	
Part name:	adjustable leg	
A4	制图	刘泽华
	审核	
日期	2023-11-7	A版
	共 2 页	第 1 页