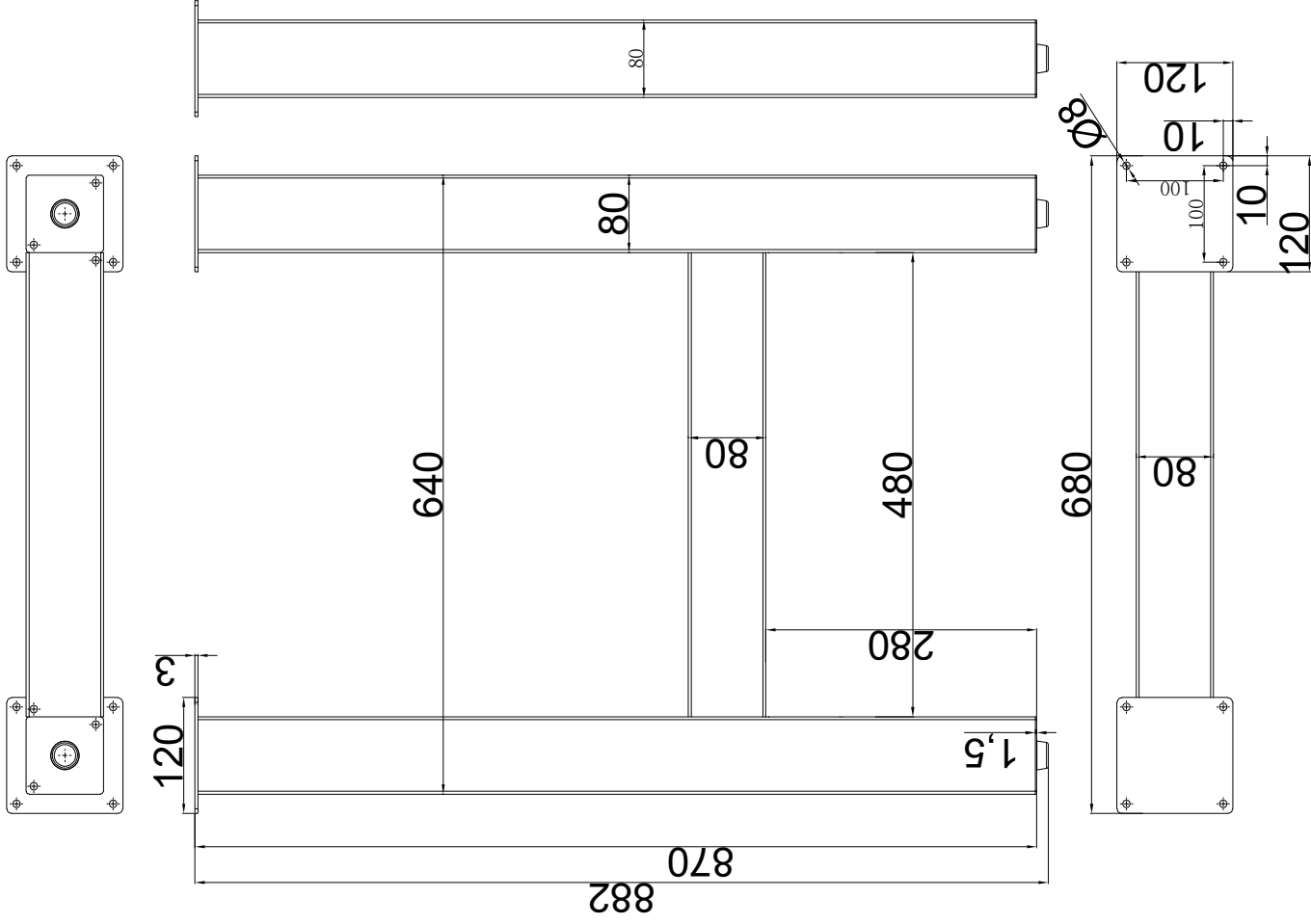


Note: 1. The welding place shall be fully welded and polished

2. The smooth surface can not have welding slag, edge, acute Angle

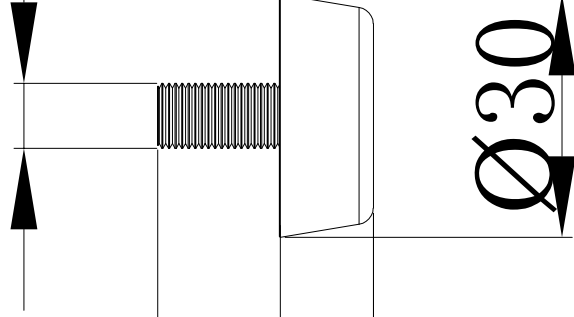


| No | Name of parts  | Qty | Unit               | MM |
|----|----------------|-----|--------------------|----|
| 1  | Table leg      | 1   |                    |    |
| 2  | adjustable leg | 2   |                    |    |
| 3  |                |     | Tolerance: ±3      |    |
| 4  |                |     | Digit: 0.0         |    |
| 5  |                |     | Material: A3       |    |
| 6  |                |     | Finished: Based on |    |
| 7  |                |     | 900/909/174/170    |    |
| 8  |                |     |                    |    |

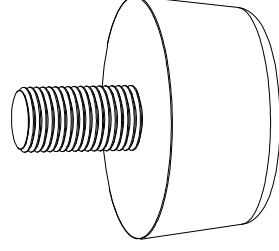
  

| RichelieuHardware |             |
|-------------------|-------------|
| Product size      | W680*H870   |
| Item No           | 68075870XXX |
| <b>A4</b>         | 制图          |
|                   | 审核          |
| 刘泽华               |             |
| 日期                | 2023-11-7   |
| 版                 | A版          |

m8



11, 5  
26



|            |       |
|------------|-------|
| Unit:      | MM    |
| Qty:       | 2     |
| Tolerance: | ±1    |
| Digit:     | 0.0   |
| Material   | A3    |
| color      | Black |

|                   |                |       |
|-------------------|----------------|-------|
| RichelieuHardware |                |       |
| Product name      | 68075870XXX    |       |
| Parts name        | adjustable leg |       |
| <b>A4</b>         | 制图             | 刘泽华   |
|                   | 审核             |       |
| 日期                | 2023-11-7      | A版    |
|                   | 共 2 页          | 第 1 页 |