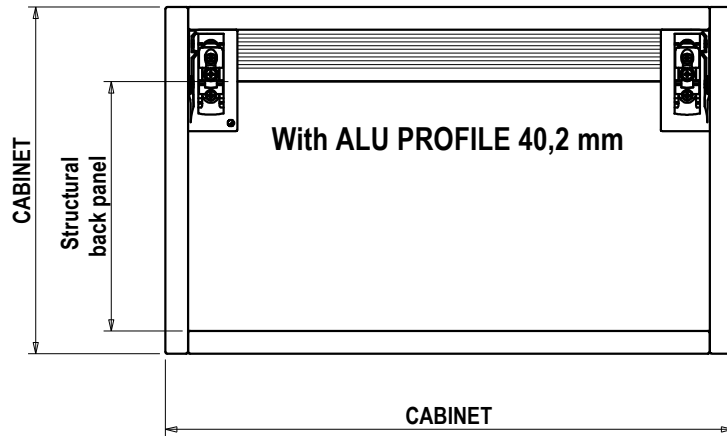
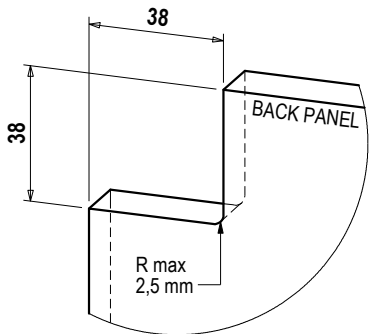
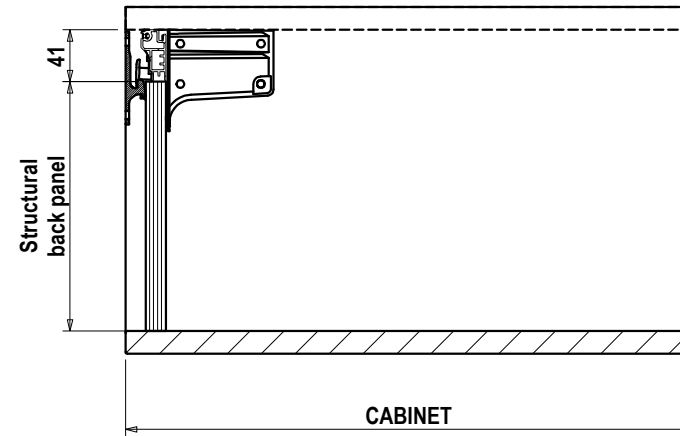


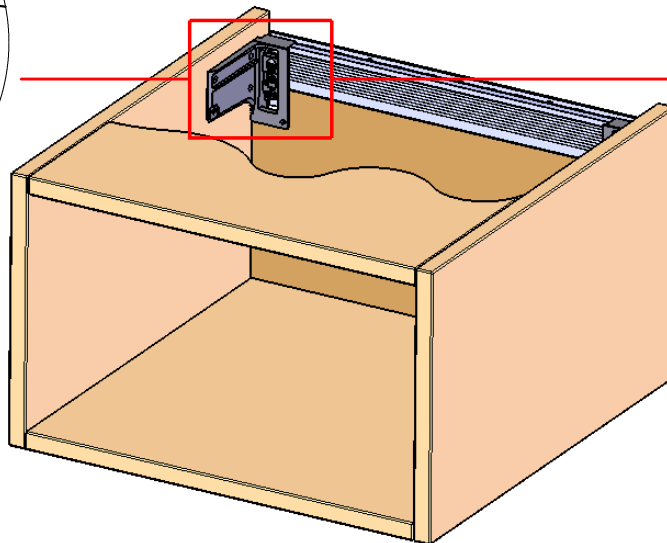
FRONT VIEW



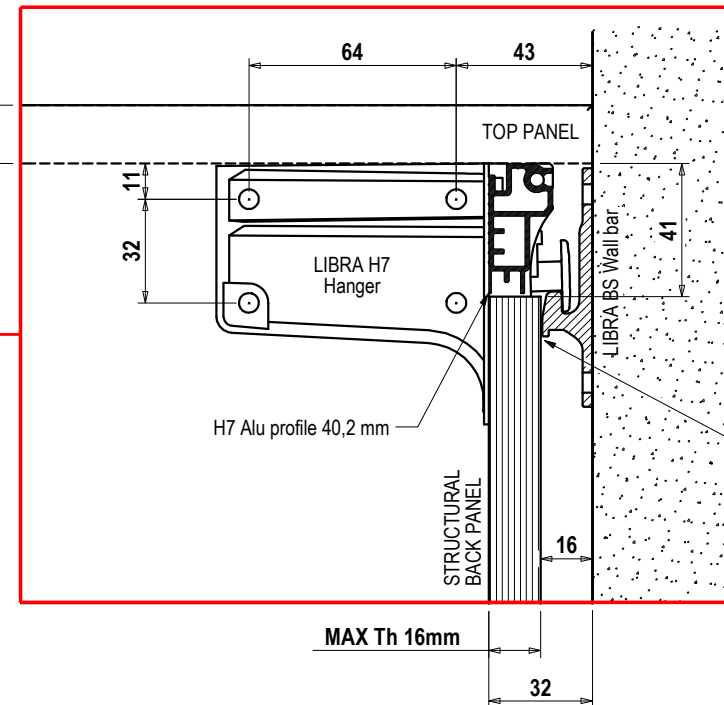
LATERAL VIEW



NECESSARY TO MAKE  
A CUT OUT IN THE  
UPPER CORNER



Th Top Panel



**PAY ATTENTION**  
Back panel  
No thicker than  
16,0 mm

MAX Th 16mm