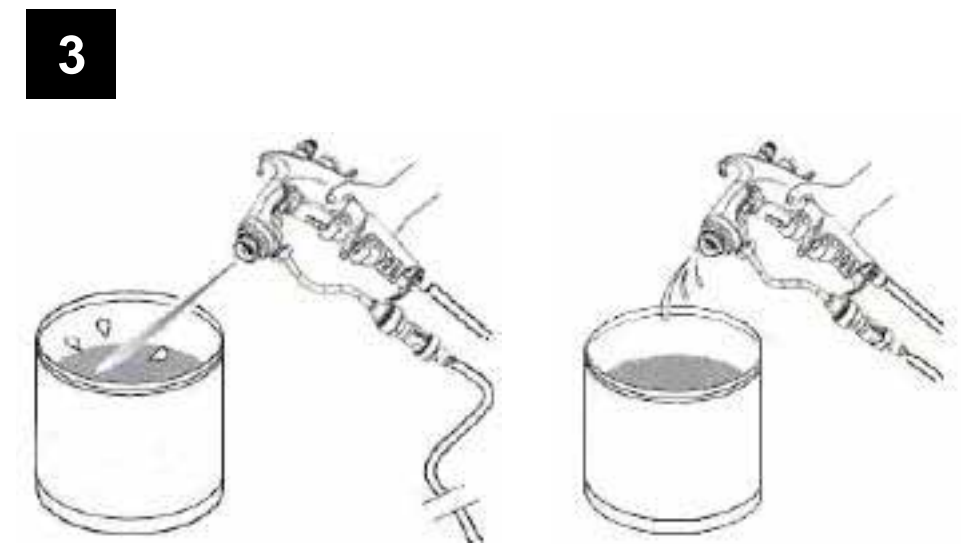
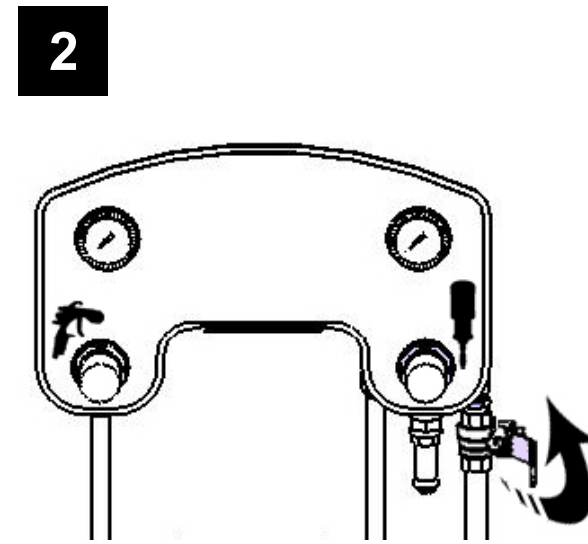
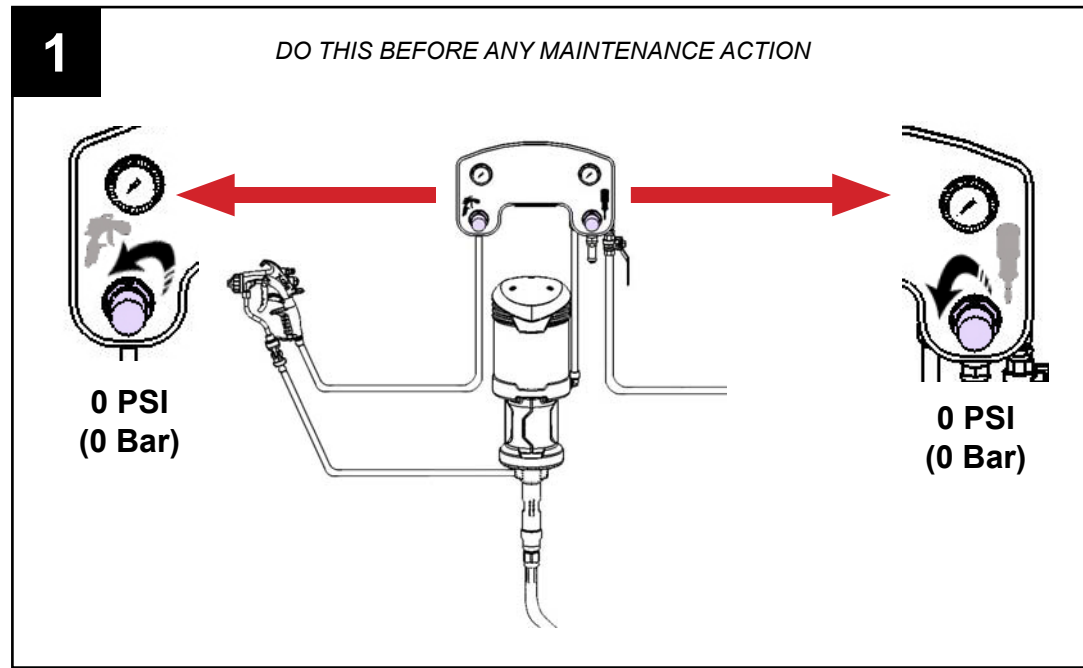
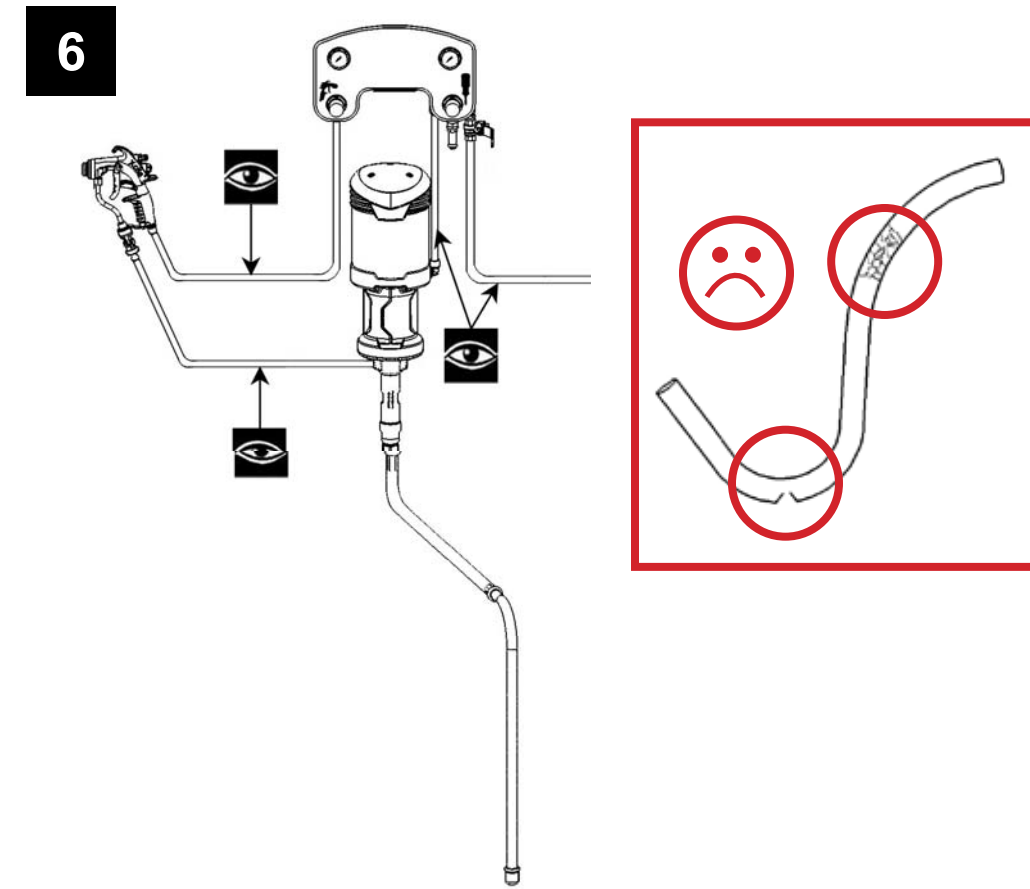
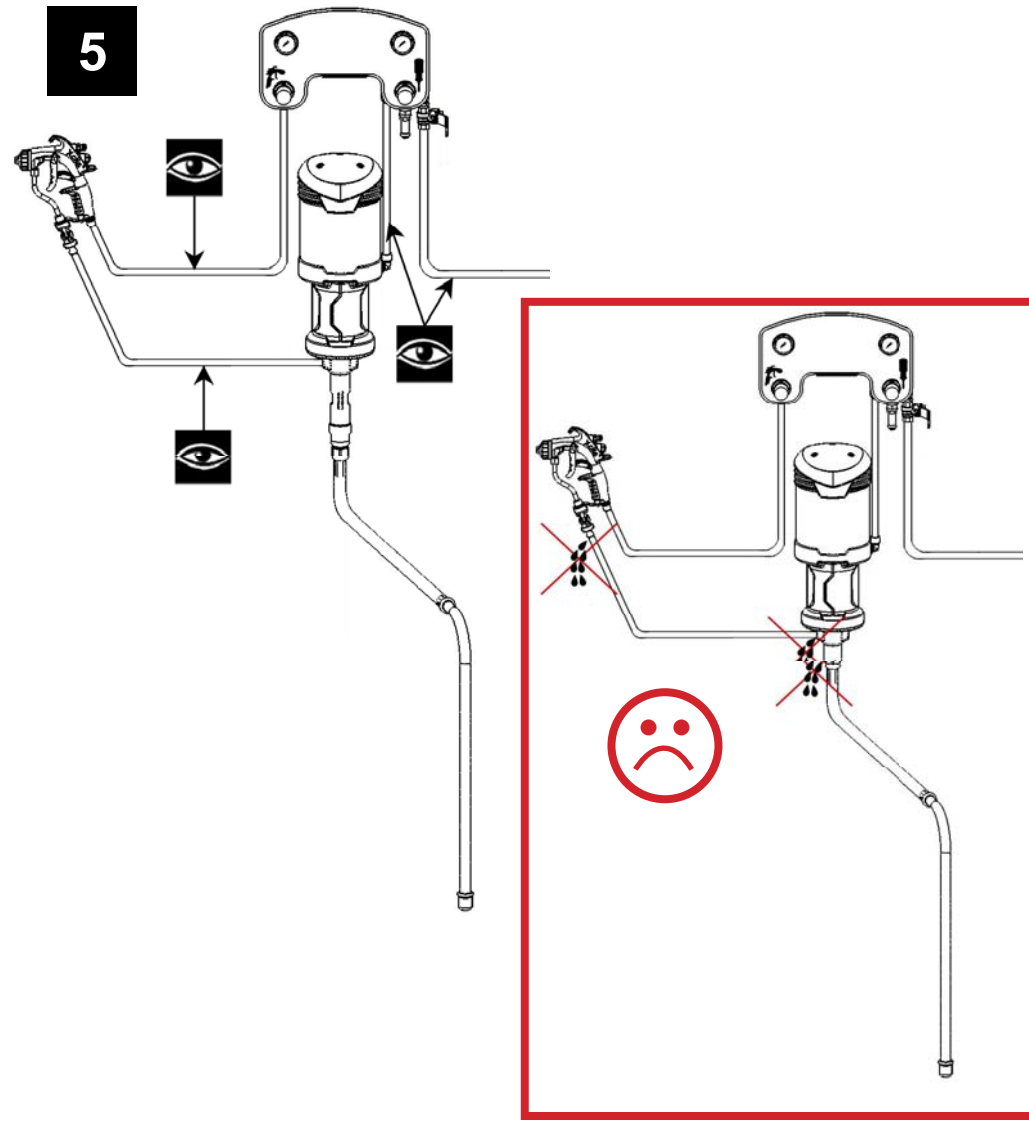
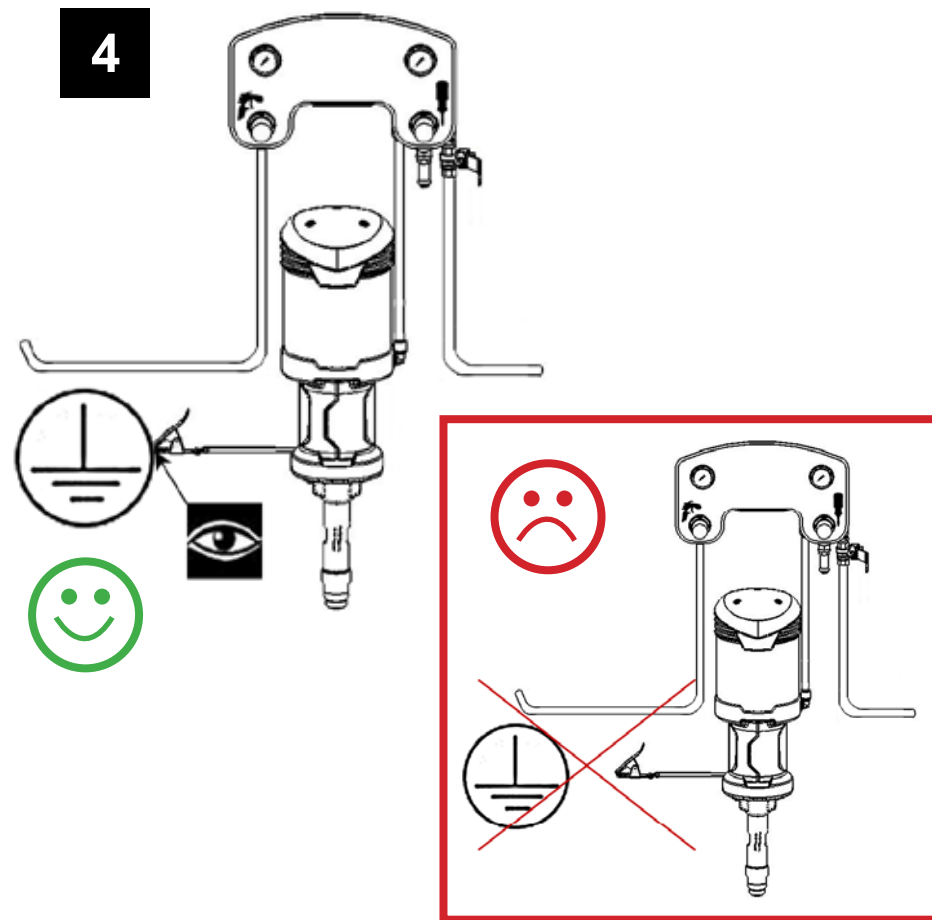


PREVENTATIVE MAINTENANCE SCHEDULE - EOS 15C-25 & 30C-25

DAILY TASKS

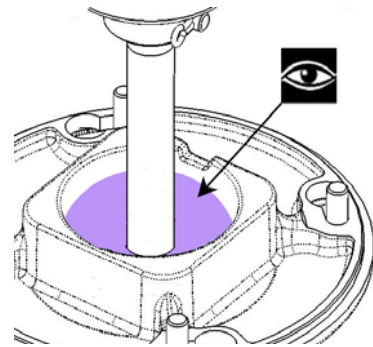
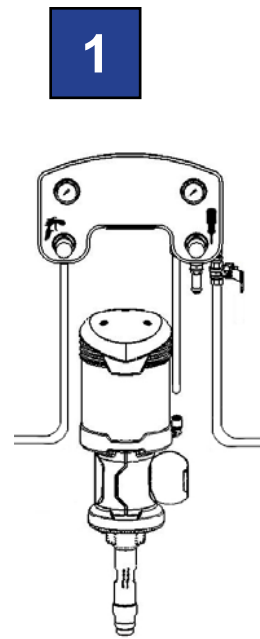


OK

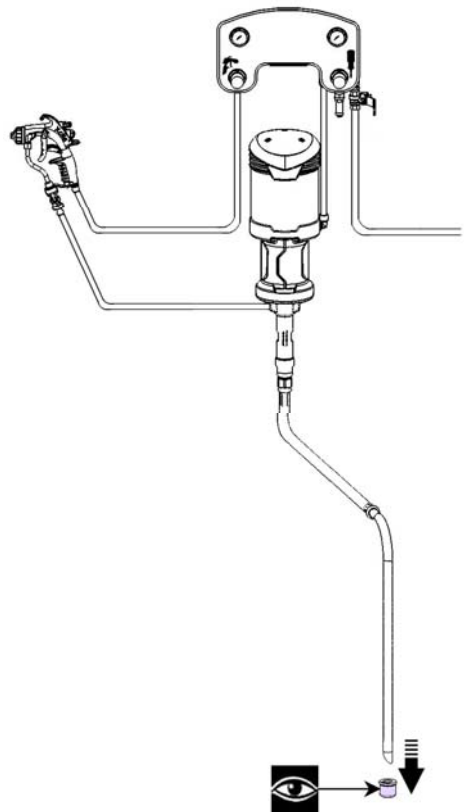
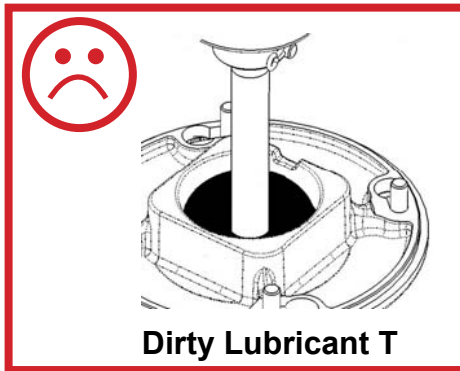
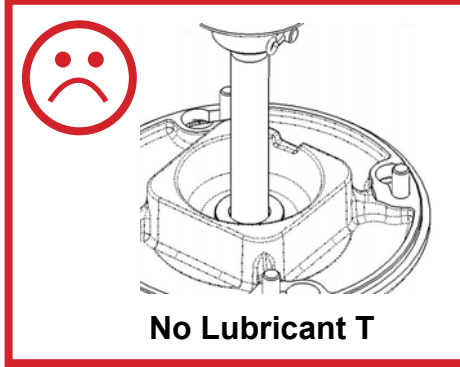


NOTE: Guards (motor cover, coupling shields, housings ...) have been designed for a safe use of the equipment. The manufacturer will not be held responsible for bodily injury or failure and / or property damage due to destruction, the overshadowing or the partial or total removal of the guards.

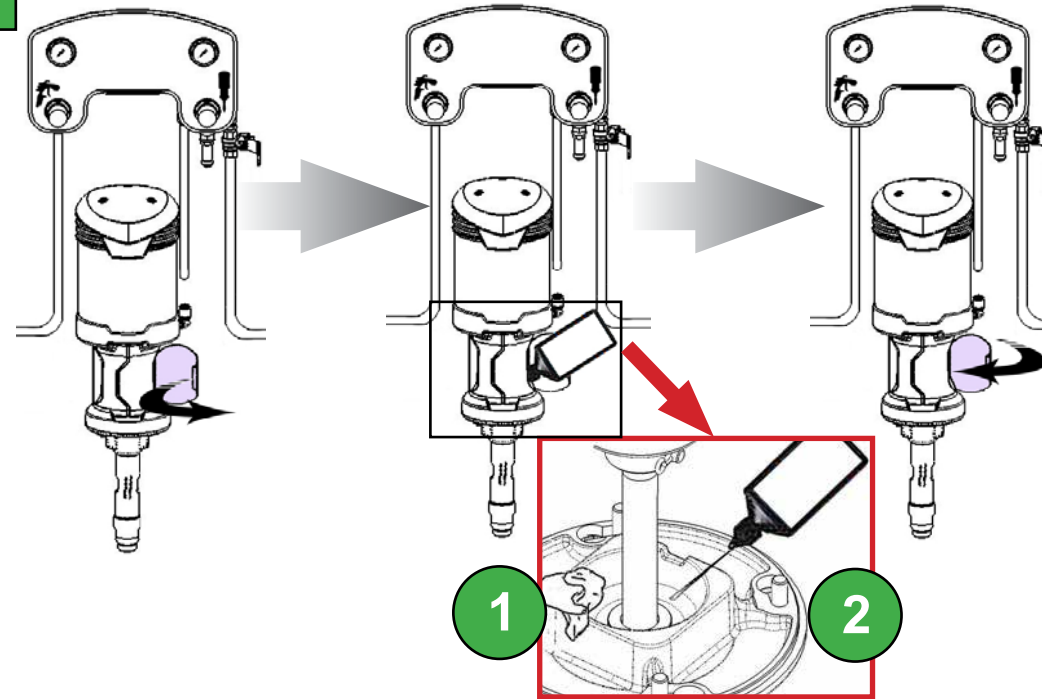
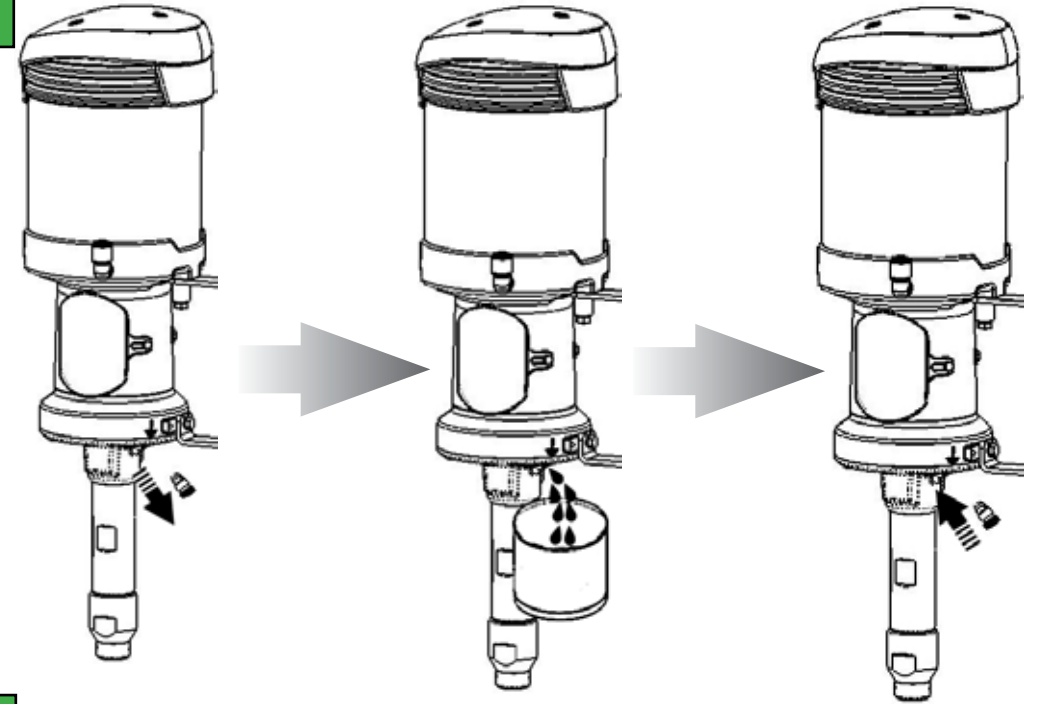
WEEKLY TASKS



1/2 cup
Lubricant T



MONTHLY TASKS



<http://www.kremlinrexson-sames.com/en/usa/>



EXEL North America, Inc.
 North American Headquarters
 45001 5 Mile Road
 Plymouth, MI 48170
 Toll Free: (800) 573-5554
 Phone: (734) 979-0100
 Fax: (734) 927-0064

EXEL North America, Inc.
 Canadian Branch
 931 Progress Ave., Unit 7
 Scarborough, Ontario M1G 3V5
 Toll Free: (800) 450-0655
 Phone: (416) 431-5017
 Fax: (416) 431-9171

EXEL-NA, S.A. de C.V.
 Acceso III N°16A Int 15A
 Conjunto Quadrum
 Parque Industrial Benito Juárez
 Santiago de Querétaro, Qro.
 México, C.P. 76120

+52 (442) 209-5027 / 161-2595 Ext 170
 Oficina