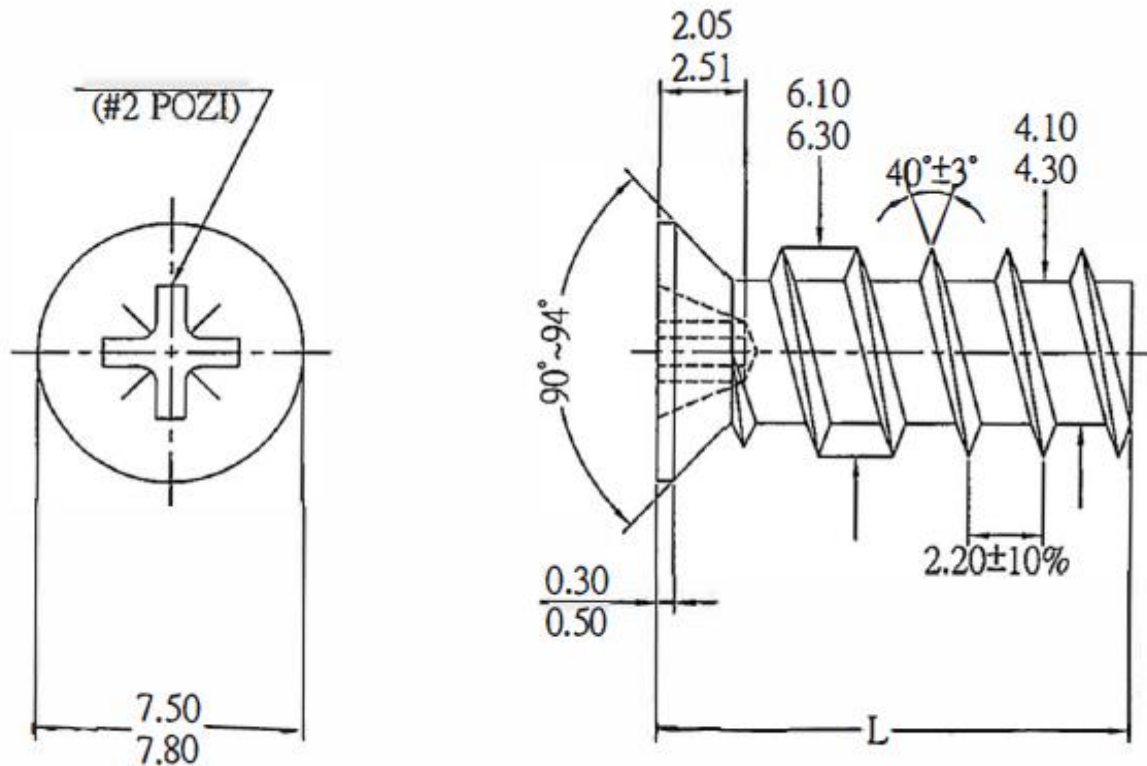




EURO SCREW, FLAT COUNTERSUNK HEAD , #2 POZI  
DRIVE , FLAT POINT



UNIT : mm

| SIZE           | TOLERANCE   |
|----------------|-------------|
| M6.3 - 2.2 x L | +0<br>- 0.5 |