

1 2 3 4 5 6 7 8

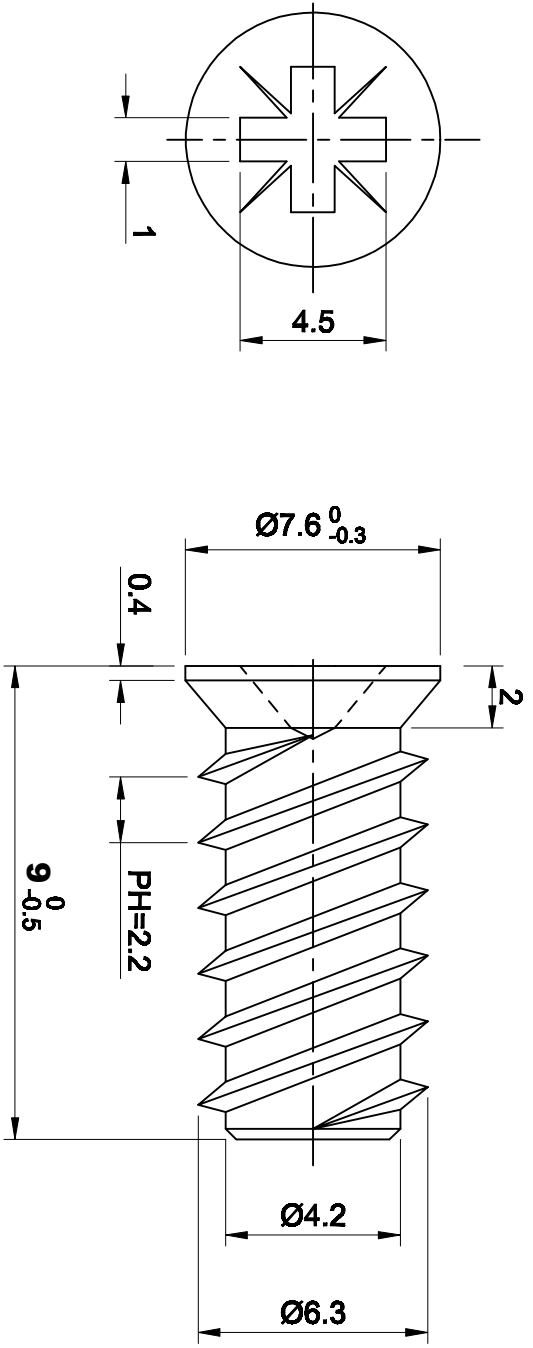
A

B

C

D

E



PRT NO.:

|  |  |
|--|--|
|  |  |
|  |  |
|  |  |

| DIM.      | 0~3mm   | 3~10mm | 10~30mm | 30~100mm | 100~300mm | 300mm~ |
|-----------|---------|--------|---------|----------|-----------|--------|
| Tolerance | ±0.05mm | ±0.1mm | ±0.25mm | ±1mm     | ±3mm      | ±5mm   |

DRAWING NO.:

**CSK auto screw**

|                          |                |       |        |      |
|--------------------------|----------------|-------|--------|------|
| TITLE:                   | CSK auto screw |       | DATE   |      |
| DIMENSION CLASSIFICATION | UNIT           | SCALE | CHECK  | DATE |
| ● CRITICAL               | mm             | 1:1   |        |      |
| ○ MAJOR                  | PAPER          |       | DRW/AV |      |
|                          | A4             |       |        |      |
|                          |                |       |        |      |
|                          |                |       |        |      |

| MARK | REV. | DESCRIPTION | BY | DATE |
|------|------|-------------|----|------|
|      |      |             |    |      |