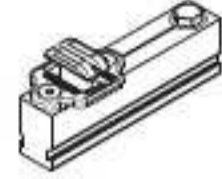








	Top pivot bearing	1	16485
	Folding-/pivot door catch, adjustable	1	20426
	Four-wheeled trolley, M10, plastic-tyred wheels and suspension plate	1	16482
	Suspension profile alu, 208 mm (8 $\frac{3}{16}$ \"), plain anodized, predrilled	2	10987
	Suspension profile alu, 550 mm (1'9 $\frac{21}{32}$ \"), plain anodized, predrilled	1	19524
	Thrust bearing sleeve, D=20 mm ($\frac{20}{32}$ \"), incl. driver	1	19515
	Cover cap for top fixed suspension, plastic anthracit-grey RAL 7016	3	20907
	Vertical adjustment key	1	10789
	Suspension assembly locking wrench	1	14861
	Fork spanner SW 13 mm ($\frac{17}{32}$ \"	1	19128