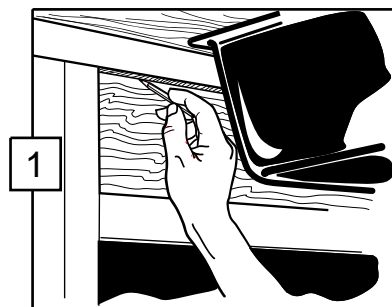
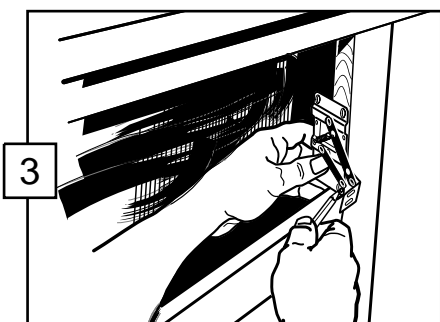


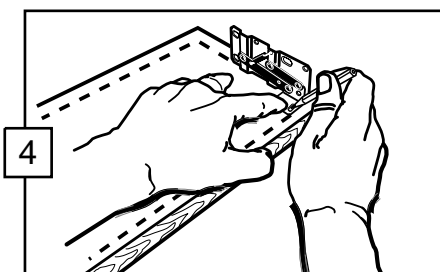
DRAWER STORAGE BIN



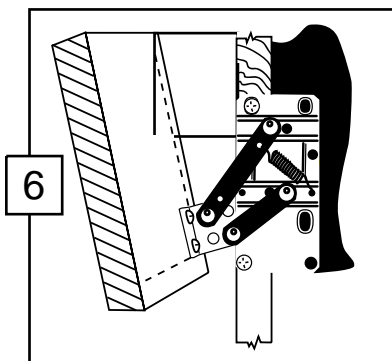
Step 1: Trace inside perimeter of sink front panel.



Step 2: Remove panel.



Step 3: Rest hinge on inside of frame (making sure edge of hinge okate us flush with front of opening). Using the hinge as a guide, mark top and bottom holes on inside of frame.



Step 4: Lay panel face down on flat surface. Then place edge of closed hinge on scribed perimeter (making sure bottom of small hinge plate is placed at the intersection of the scribed lines) mark two screw holes then attach hinge.

Step 5: Center tray on panel 1" from top. Mark holes for screws at tip of tear drop opening in tray. Install screws leaving enough clearance for tray to slide on.

Step 6: With tray removed from panel, screw hinge on side of frame into holes previously marked. Repeat for other side.

Step 7: Slide plastic tray into place.