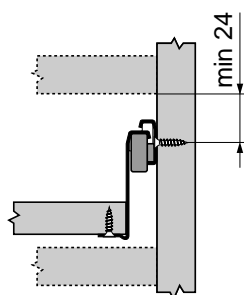


MINIFIX

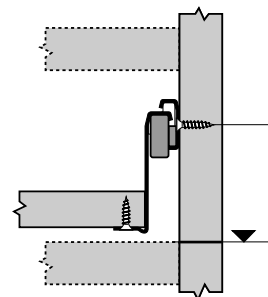
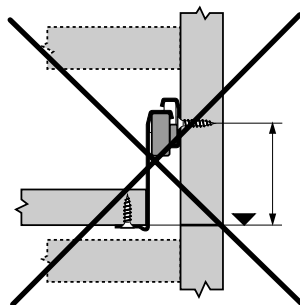
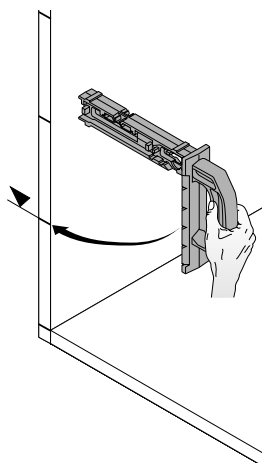
Sales Information No. 17 / 1998

Objective for product modification

MINIFIX was modified so it will now also enable the assembly of the top METABOX carcass profile at a position of 24 mm from the top panel.



In addition, the new MINIFIX was modified so that the reference point is not the drawer base bottom anymore but the minimum installation distance.

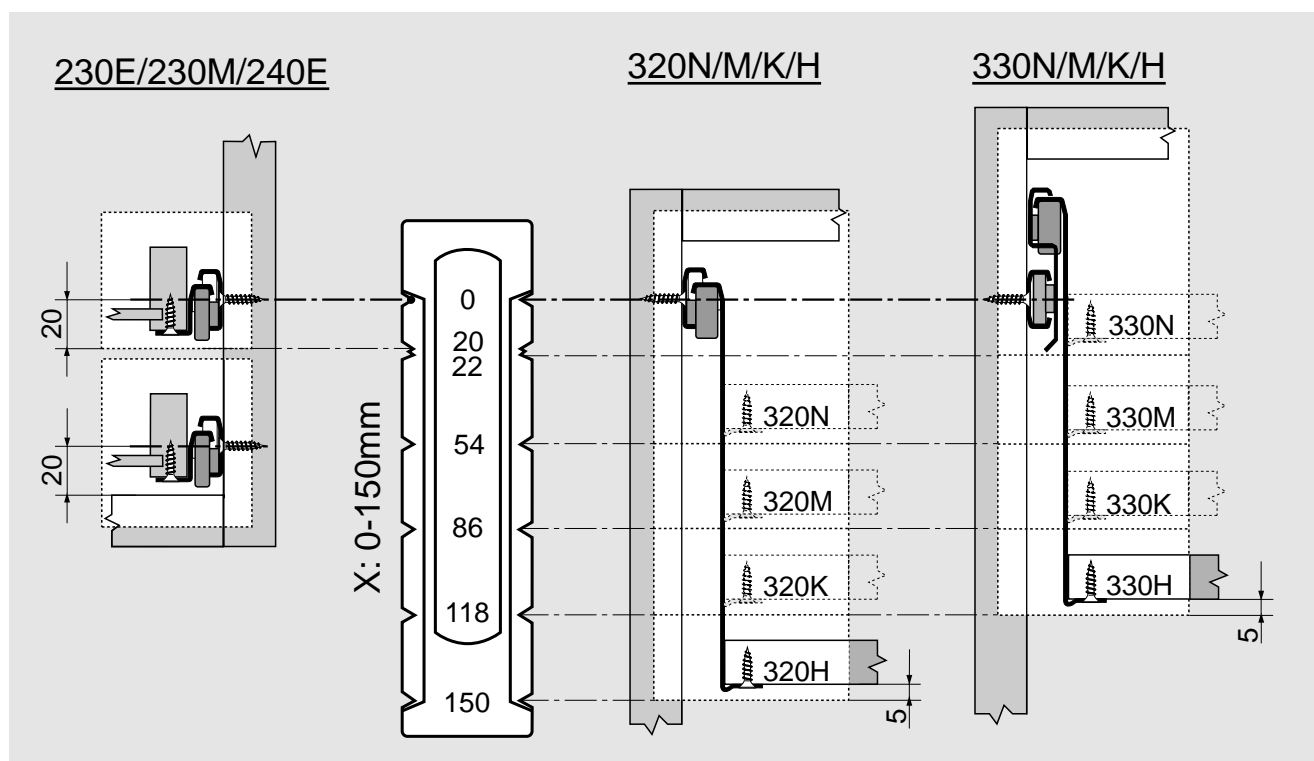
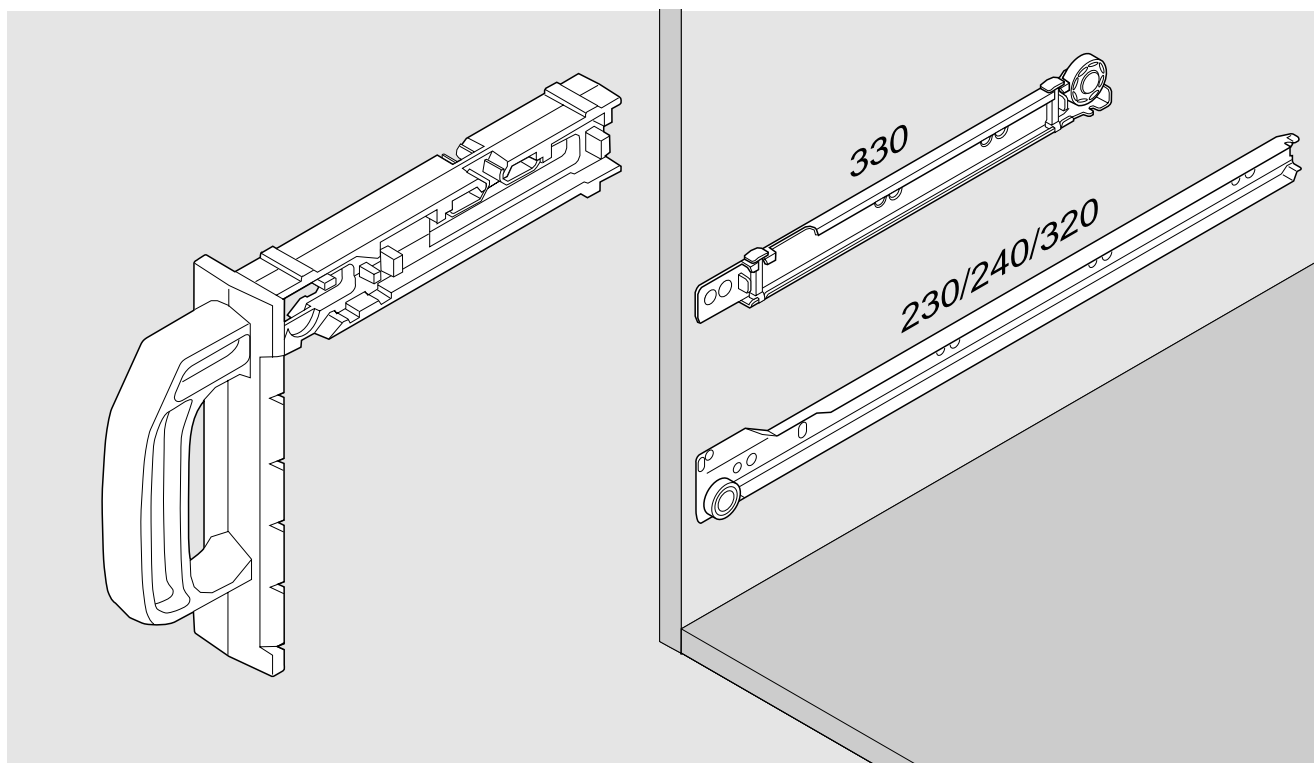


Technical Details

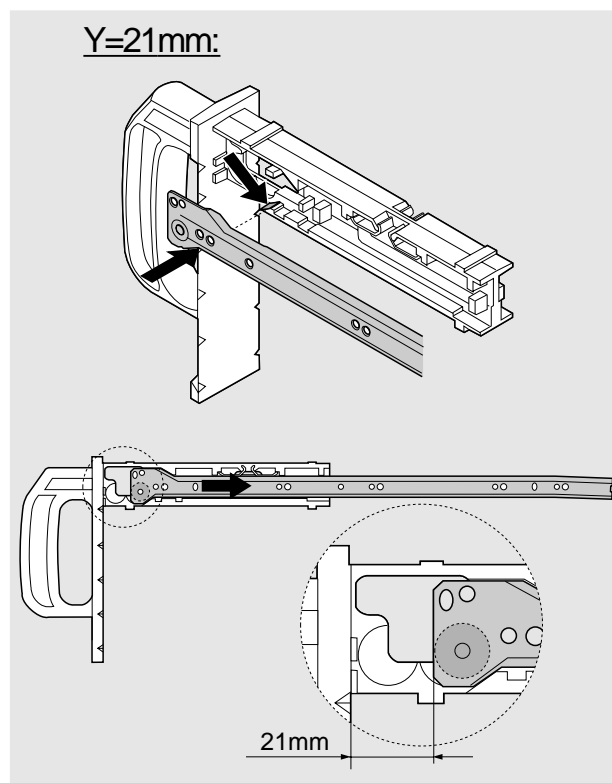
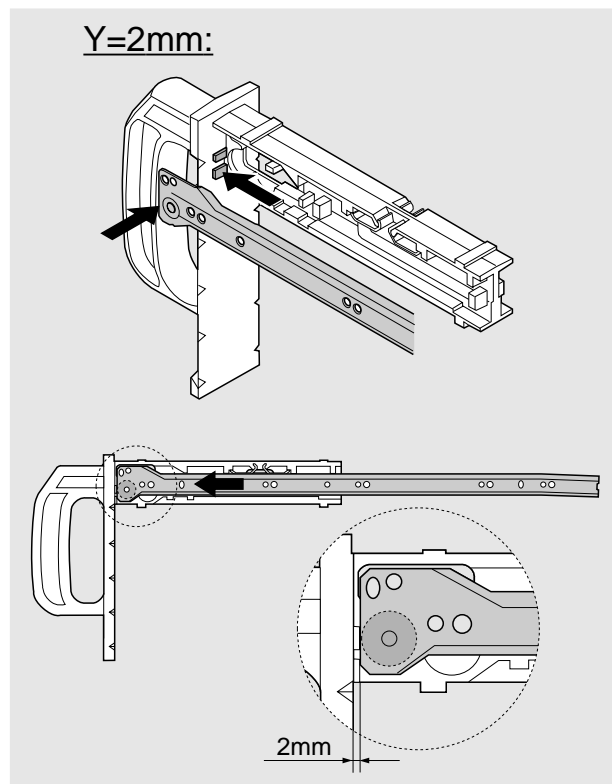
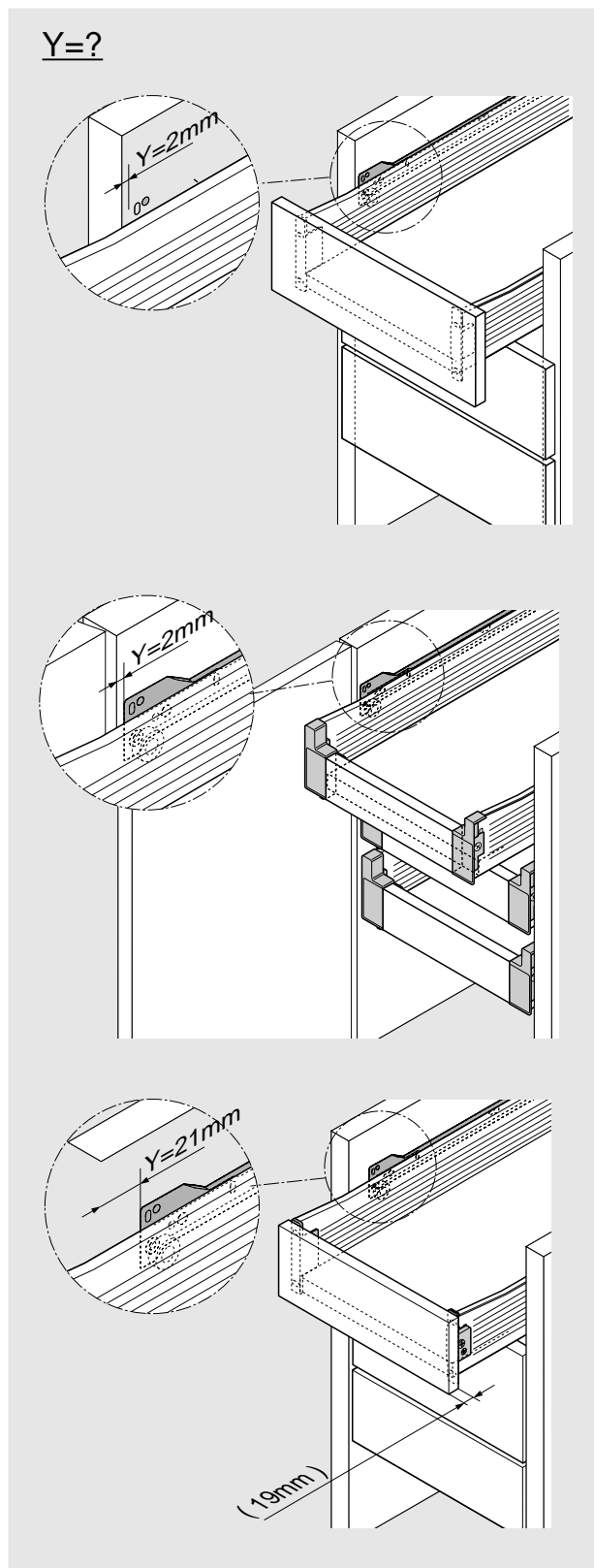
see enclosed assembly instructions



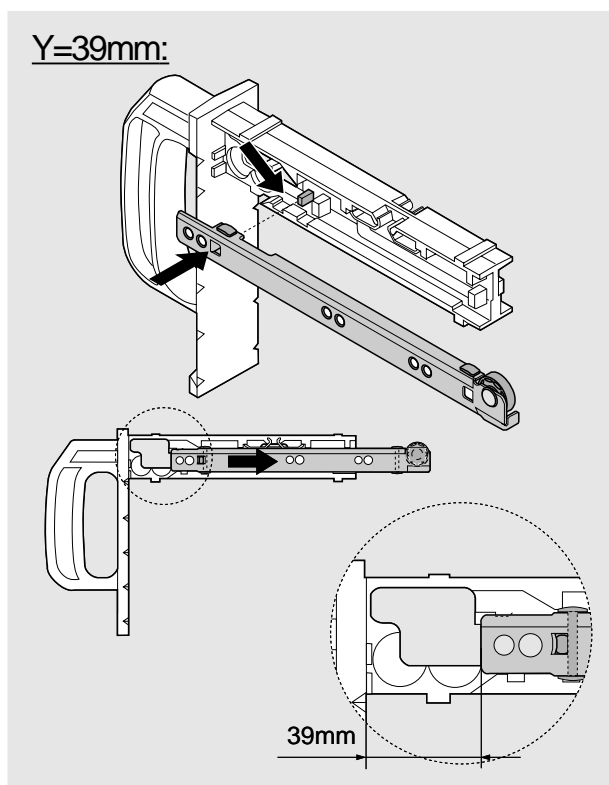
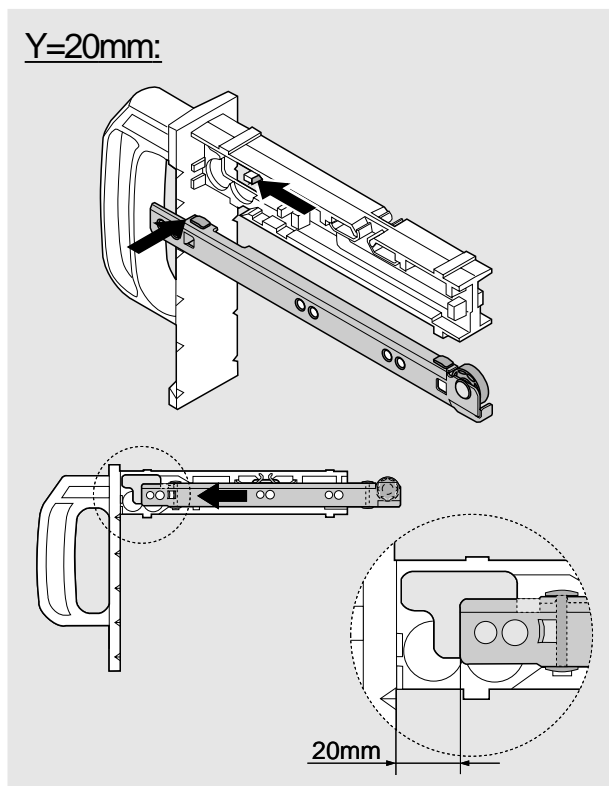
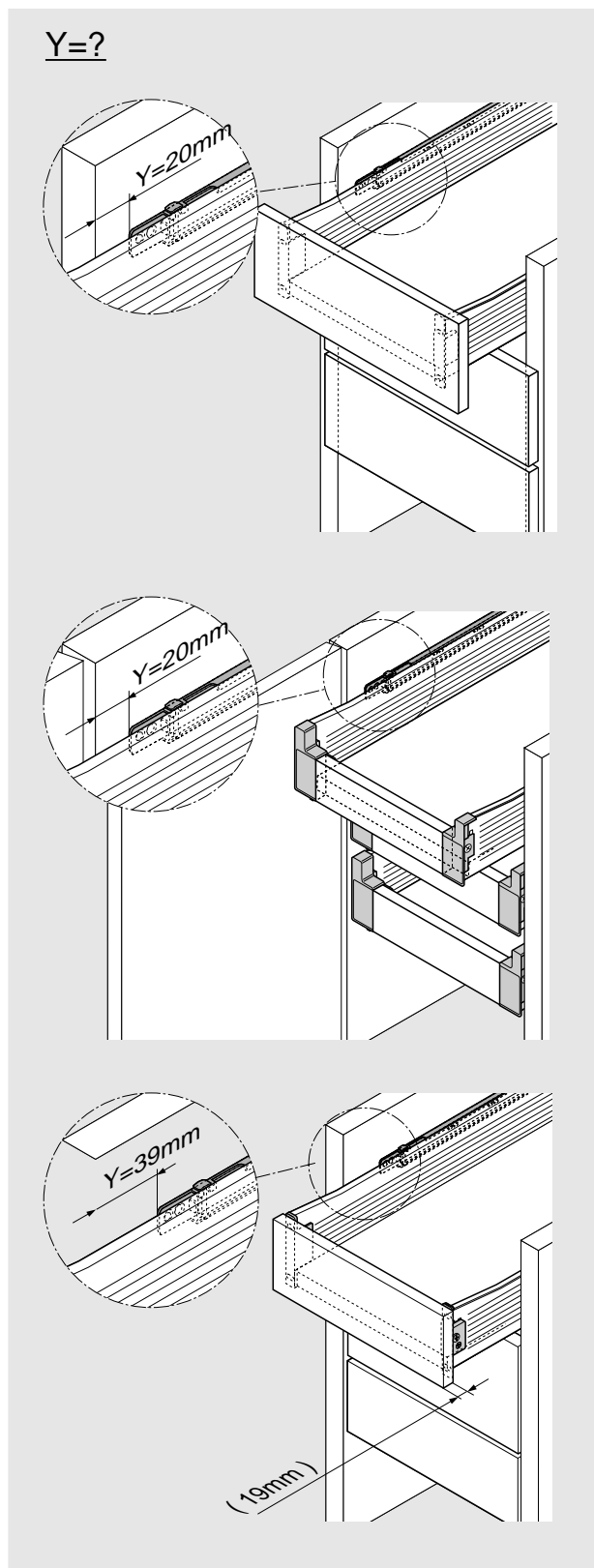
MINIFIX 65.3300



MINIFIX 320N/M/K/H - 230E/M - 240E



MINIFIX 330N/M/K/H



MINIFIX

