







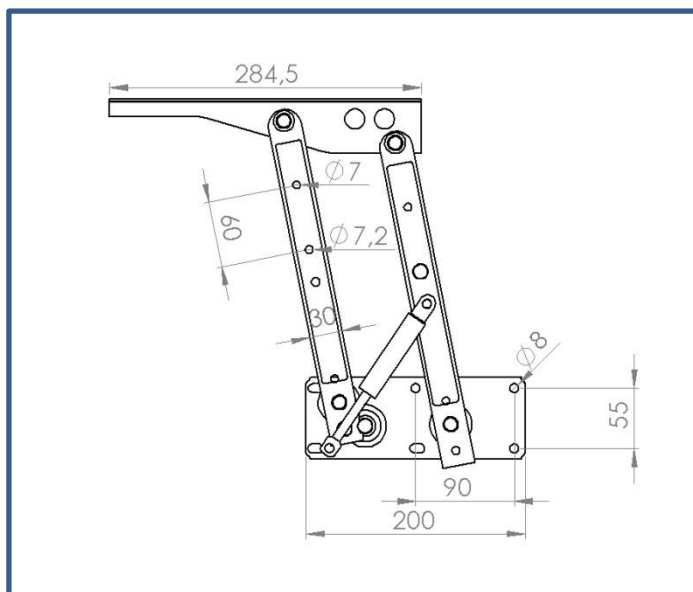
INSTRUCTION FOR USE FOR COFFEE TABLE MECHANISM (GAS SPRING)



COMPOSITION

	Right Mechanism	1		Gas Spring	2
	Left Mechanism	1		Screw	12
	Fastener Plate	2		Peg	12

DIMENSIONS



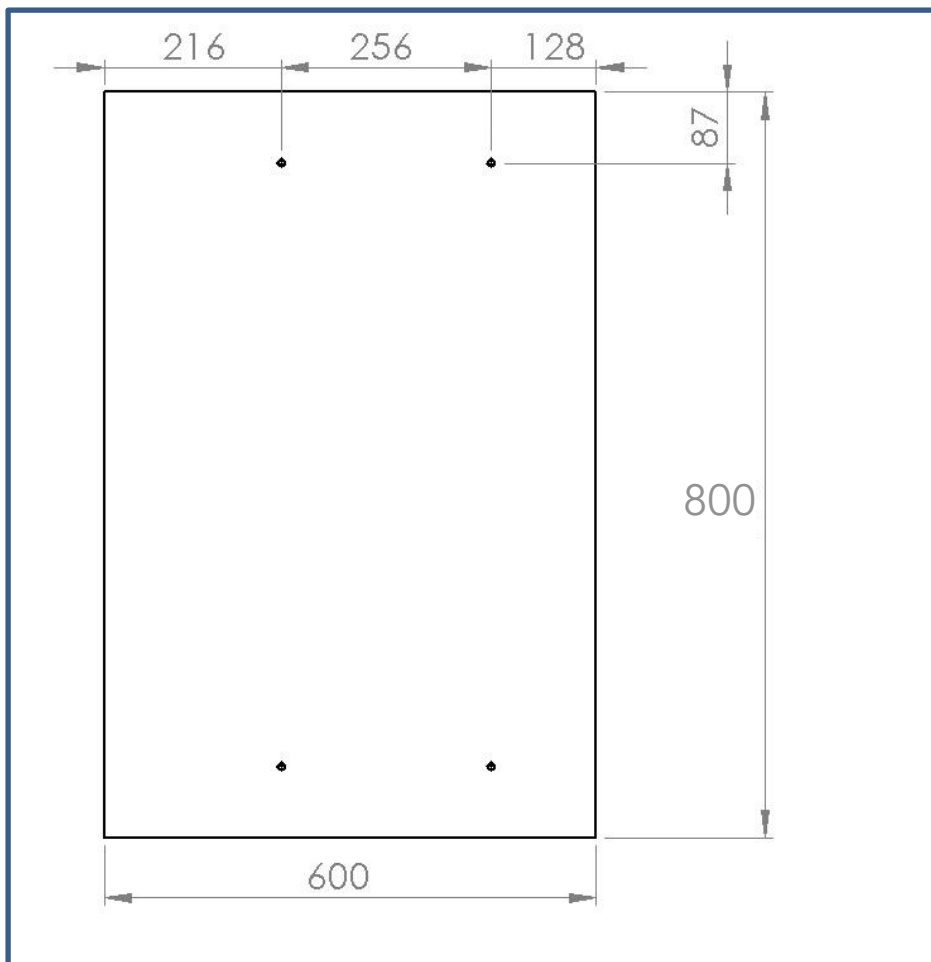
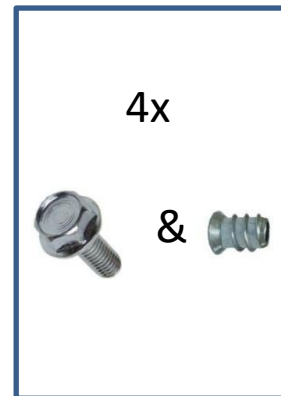
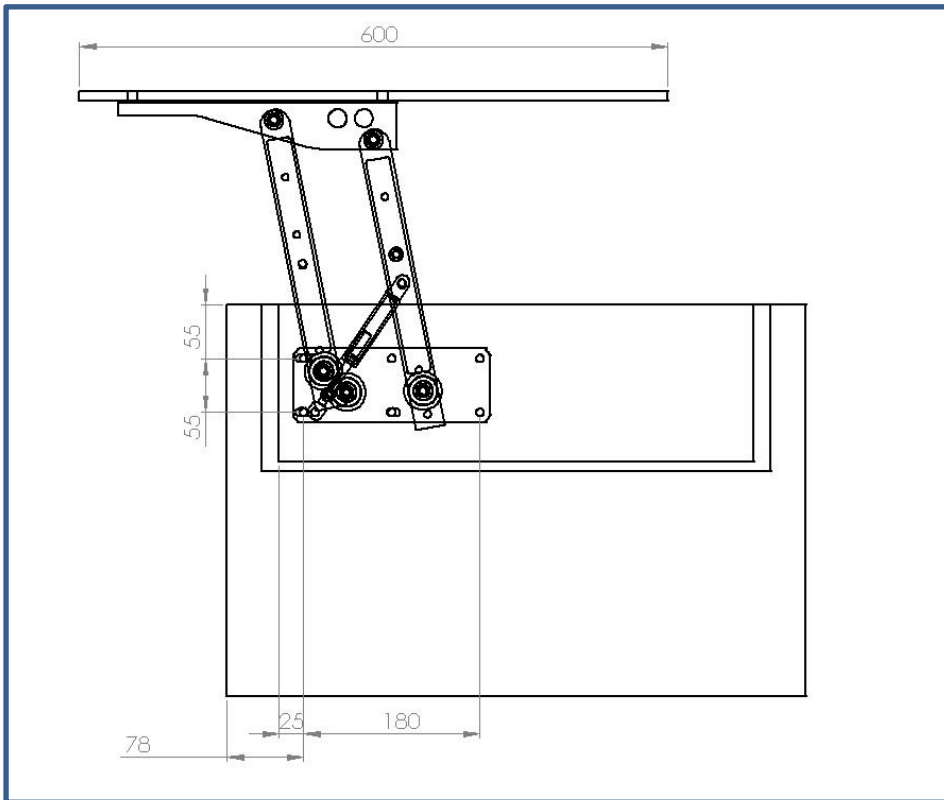
RECOMMENDATIONS

Drill four holes to each side and drive pegs into hardboard for fixing plate as shown on the figures below. Drive screws into the pegs correctly.

Do the same process on bottom hardboard for two screws for each side.

If there is a necessity to use roll bar ;assemble fastener plates to the holes in arms.

INSTRUCTION FOR USE FOR COFFEE TABLE MECHANISM (GAS SPRING)



ATTENTION!

DO NOT LOAD MORE THAN 25 KGS ON TABLE WHEN IT IS AT OPENED POSITION.