

S 6 4 4 3

Titus
Titus International Limited
England

THIS DOCUMENT IS CONFIDENTIAL AND OUR PROPERTY AND WE RESERVE ALL RIGHTS WORLDWIDE. IT MUST NOT BE COPIED OR SHOWN TO OTHERS FOR ANY PURPOSE EXCEPT THAT FOR WHICH IT IS PROVIDED.

© TITUS INTERNATIONAL 1999

ALL UNSPECIFIED TOLERANCES :-
ANGLES: +/ -0.5° 0.0: +/ -0.3 0.00: +/ -0.2 0.000: +/ -0.1

TITLE SALES DRG:
SYSTEM 6 SIDE ENTRY
CAM AND HOUSING
WITH OUTRIGGER
FOR 15/16mm BOARD
ASSY - 6442/6425

MATERIAL
NYLON 66

DESIGN: TITUS
DRAWN: J.C.R

PART No.
S6443

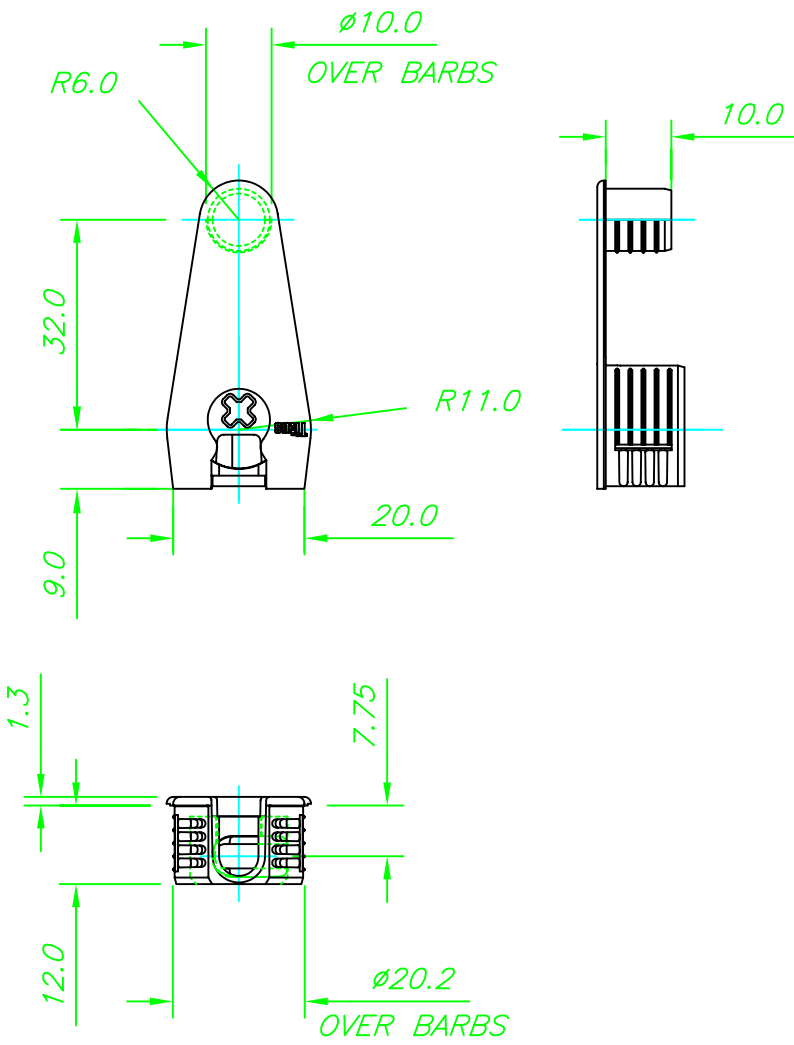
ALL DIMS
IN mm's

DATE: 01/SEPT/99
SCALE:

NPD No.

REVISIONS	No./date	details
1		SALES DRG.
3	SEPT 2001	
2		#20.2 WAS #20.1
10	JAN/2002	
3		NEW POZI
31	JAN/2002	

BASICALLY TO SUIT: NOTE: ALL WORK UNDERTAKEN WITH REFERENCE TO THIS DRAWING MUST BE IN ACCORDANCE WITH THE COMPANY ENGINEERING STANDARDS MANUAL



CAM/HOUSING ASSY (PART No. 6443)