

S 6 4 3 9

Titus
Titus International Limited
England

THIS DOCUMENT IS CONFIDENTIAL AND OUR PROPERTY AND WE RESERVE ALL RIGHTS WORLDWIDE. IT MUST NOT BE COPIED OR SHOWN TO OTHERS FOR ANY PURPOSE EXCEPT THAT FOR WHICH IT IS PROVIDED.

© TITUS INTERNATIONAL 1999

ALL UNSPECIFIED TOLERANCES :-
ANGLES: +/- 0.5° 0.0: +/- 0.3 0.00: +/- 0.2 0.000: +/- 0.1

TITLE
SALES DRG:
SYSTEM 6 DROP-ON
CAM & HOUSING FOR
16mm BOARD
WITH OUTRIGGER
ASSY 6438/6425

MATERIAL
NYLON 66

DESIGN: TITUS

DRAWN: J.C.R

DATE: 24/AUG/99

SCALE:

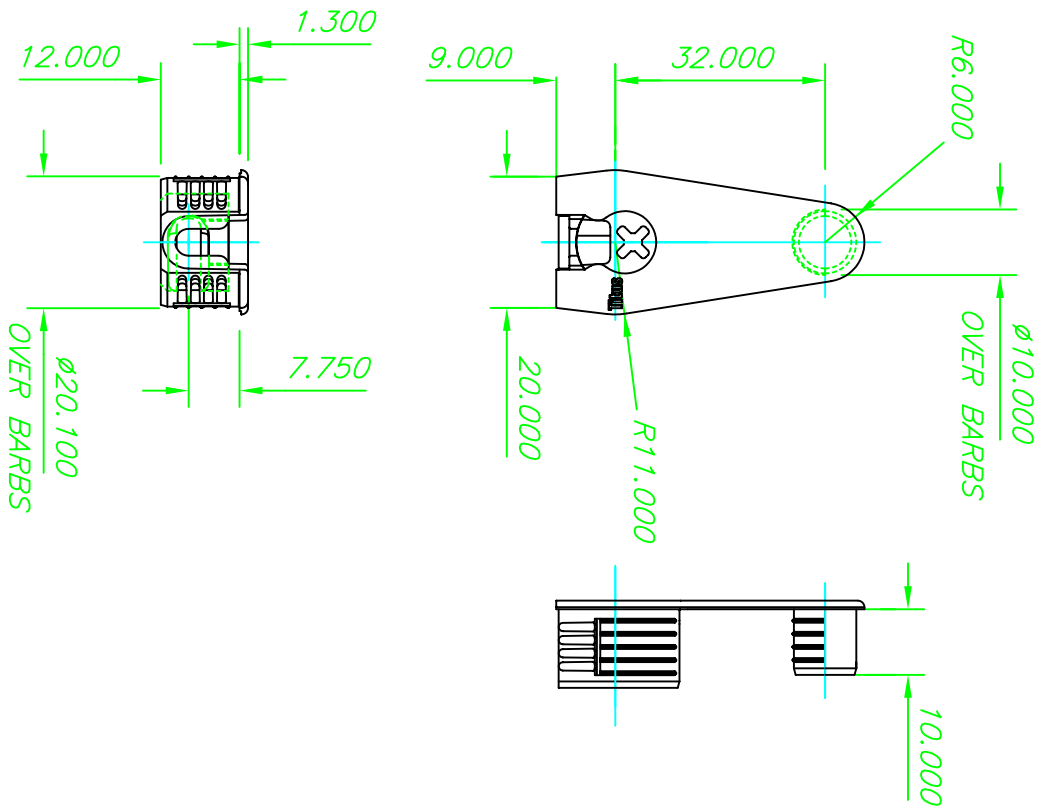
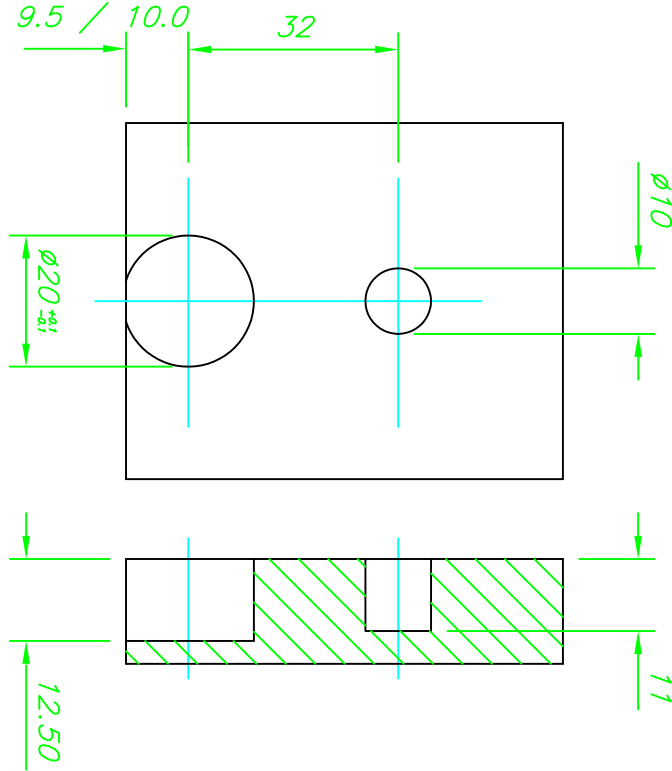
PART No.
S6439

NPD No.

REVISIONS

No./date	details
1	SALES DRG. 19.DEC/00

BASICALLY TO SUIT: NOTE: ALL WORK UNDERTAKEN WITH REFERENCE TO THIS DRAWING MUST BE IN ACCORDANCE WITH THE COMPANY ENGINEERING STANDARDS MANUAL



CAM/HOUSING ASSY (PART No. 6439)

NOTE:
1. NOMINAL BORING DIMS. SHOWN, FOR GUIDANCE ONLY. CHECK INTENDED APPLICATION.
2. FOR USE WITH EXPANDING SYSTEM 6