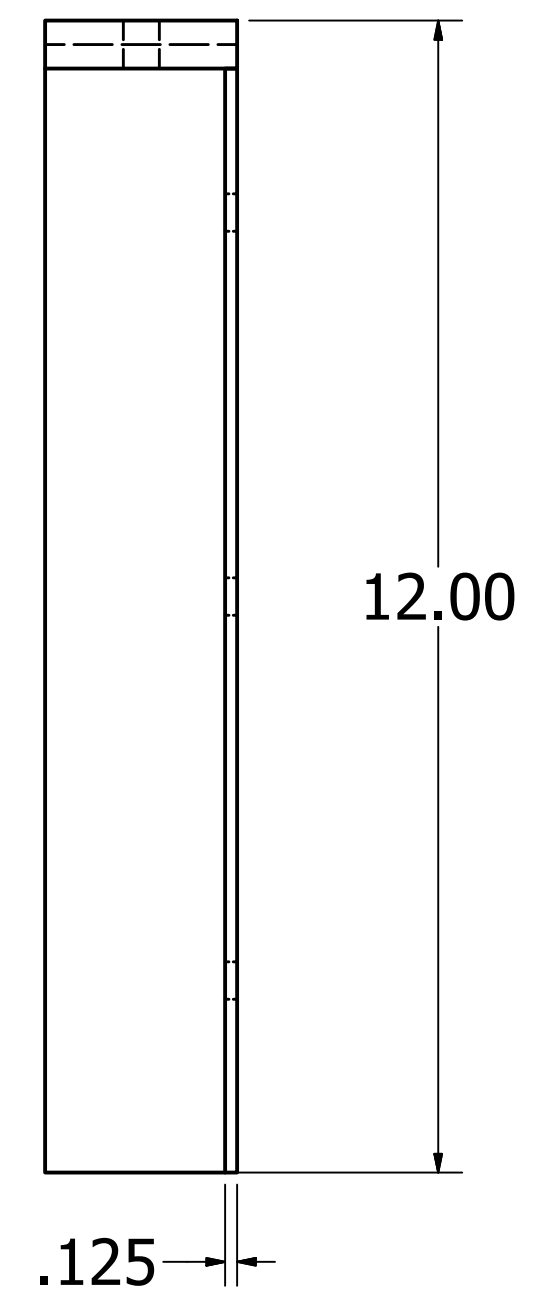
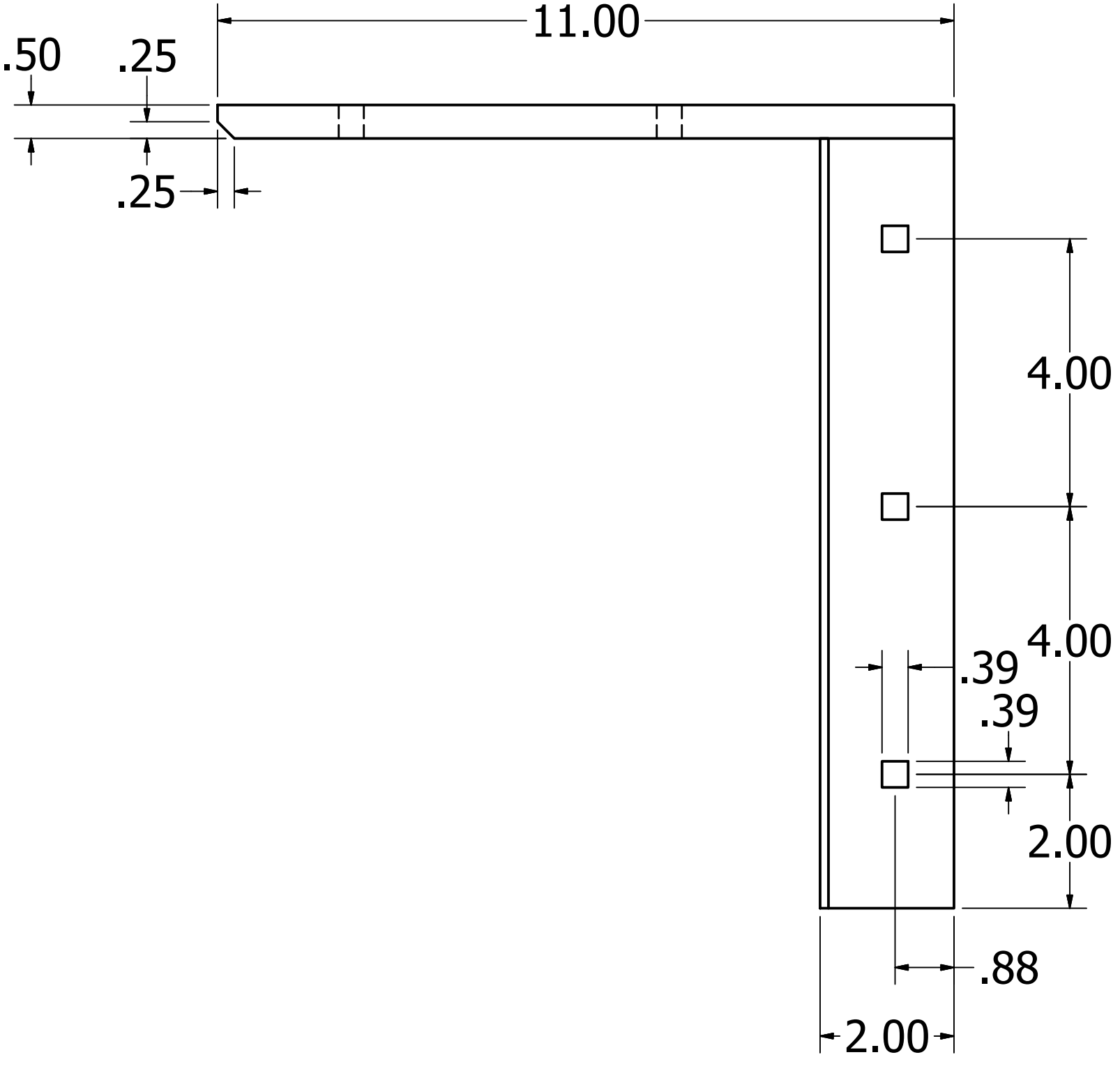
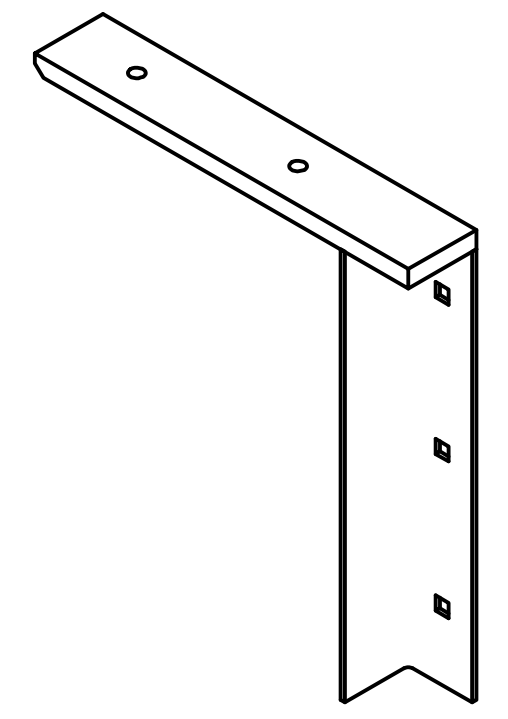
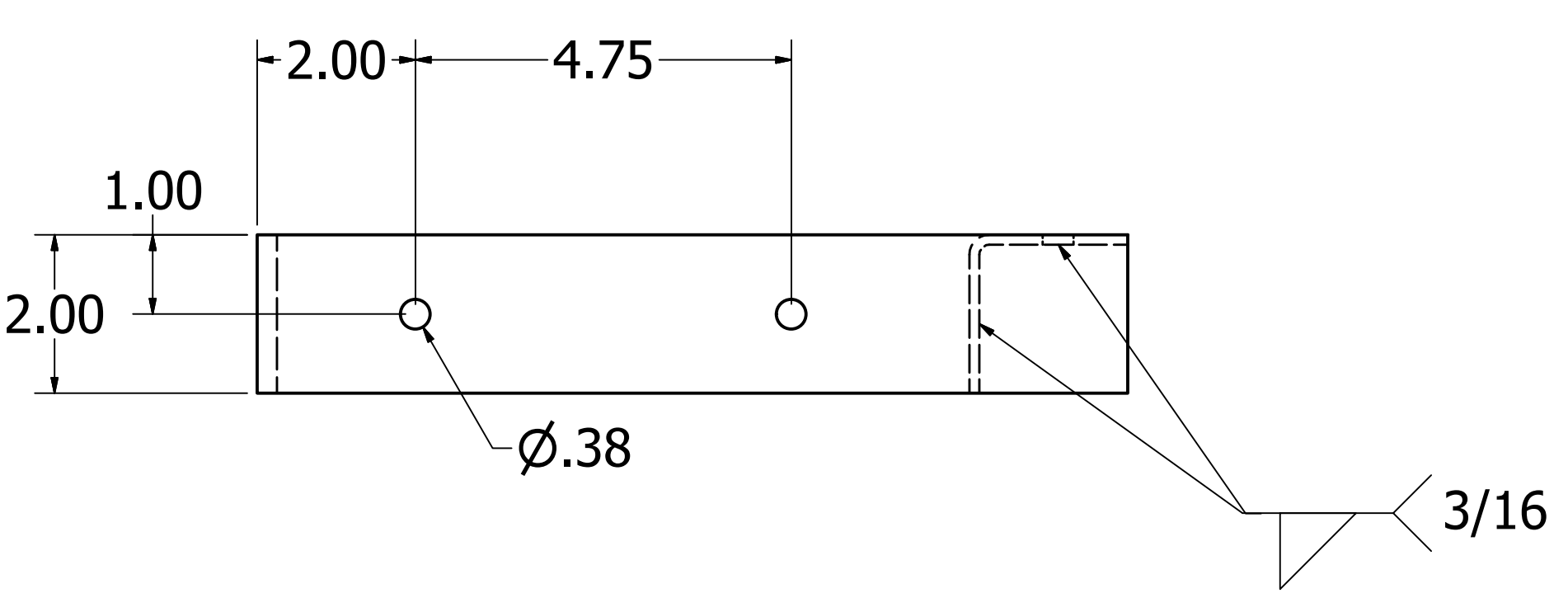


4 3 2 1



4	3	2	1
DRAWN SAR		2/9/16	
CHECKED			
QA		TITLE	
MFG		C-9" CONCEALED BRACKET FLAT	
APPROVED		SIZE	DWG NO
		C	C FLAT 9 (2.0)
		SCALE	SHEET 1 OF 1
4	3	2	1

D
C
B
A

D
C
B
A