

This drawing is the property of Rev-A-Shelf (RAS) and is disclosed in confidence to the extent its subject matter is original to RAS. Any vendor receiving this drawing from RAS shall hold and use this drawing for the sole benefit of RAS and shall not disclose it to, or use or reproduce it for any third party, or perform any act adverse to the interest of RAS with respect to this drawing without the express written permission of RAS. Vendors shall not revise any physical, dimensional or performance characteristic unless authorized by Rev-A-Shelf Engineering.

MIN. TO FRONT OF
CABINET TO PREVENT
HANDLE FROM HITTING
DOOR

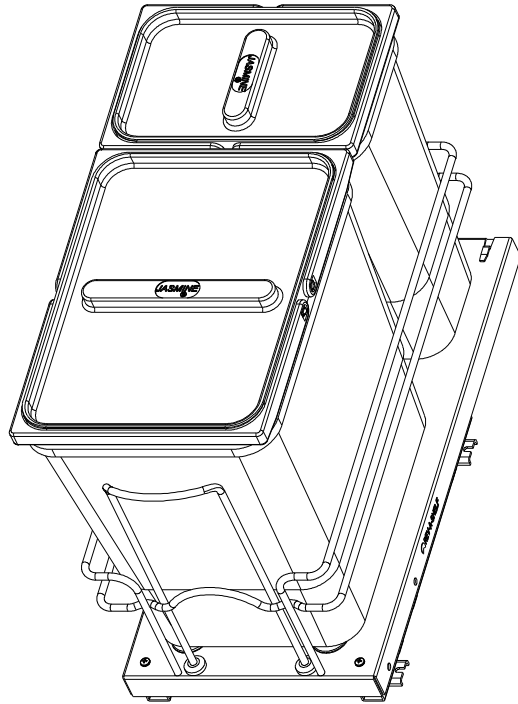
REV.	DATE	BY	DESCRIPTION OF CHANGE

INCH [MM]	AMERICAN PROJECTION	BY	DATE	DRAWING NO.	SCALE
		KMW	1-12-17		
		MATERIAL	FINISH	PART NO.	SHEET
TOLERANCES MAT. DEC. (WOOD) .XX ±.03 [.8mm] (OTHER) .XX ±.02 [1.5mm] (ALL) .XXX ±.005 [1.3 mm] FRACTIONS ±1/32 [.8 mm]		ANGLES ±1/2°		5SBWC-815S-1	0.250
				5SBWC-815S-1	1 OF 2

CUSTOMER DRAWING

REV-A-SHELF, INC.

SIZE B UNDER SINK WASTE
CONTAINER PULL OUT



PART DIMENSIONS		
	MIN	MAX
WIDTH	8.87	
DEPTH	18.60	
HEIGHT	14.25	
WEIGHT		
DIAMETER		
RADIUS		
CONTAINER CAPACITY	8 & 15	
CONTAINER UOM	LITERS	

MIN CABINET OPENING	
WIDTH	9.00
DEPTH	19.00
HEIGHT	14.75



PRODUCT MAX WEIGHT RATING
85LB

SLIDE SPECIFICATIONS				
SLIDE TYPE	PROGRESSIVE ROLLER	SLIDE EXTENSION	FULL	MAX WEIGHT RATING
SLIDE CLOSING	SELF / SOFT	SLIDE LENGTH	450MM (17.72")	
SLIDE MOUNTING	BOTTOM	SLIDE FINISH	ZINC	
				85LB

CUSTOMER DRAWING

This drawing is the property of Rev-A-Shelf (RAS) and is disclosed in confidence to the extent its subject matter is original to RAS. Any vendor receiving this drawing from RAS shall hold and use this drawing for the sole benefit of RAS and shall not disclose it to, or use or reproduce it for any third party, or perform any act adverse to the interest of RAS with respect to this drawing without the express written permission of RAS. Vendors shall not revise any physical, dimensional or performance characteristic unless authorized by Rev-A-Shelf Engineering.

REV.	DATE	BY	DESCRIPTION OF CHANGE						

INCH [MM]	AMERICAN PROJECTION	DRAWN	BY	DATE	 UNDER SINK WASTE CONTAINER PULL OUT	
		KMW	KMW	1-12-17		
TOLERANCES MAT. DEC. (WOOD) .XX ±.03 [.8mm] (OTHER) .XX ±.02 [1.5mm] (ALL) .XXX ±.005 [1.3 mm] FRACTIONS ±1/32 [.8 mm]		MATERIAL FINISH		DRAWING NO. PART NO.	SCALE SHEET OF	
					FALSE FALSE	0.250 2 OF 2