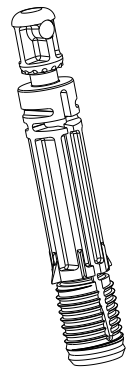
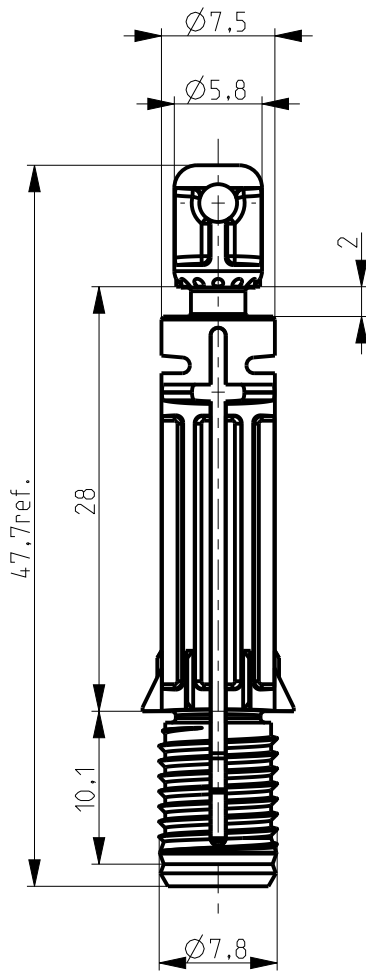
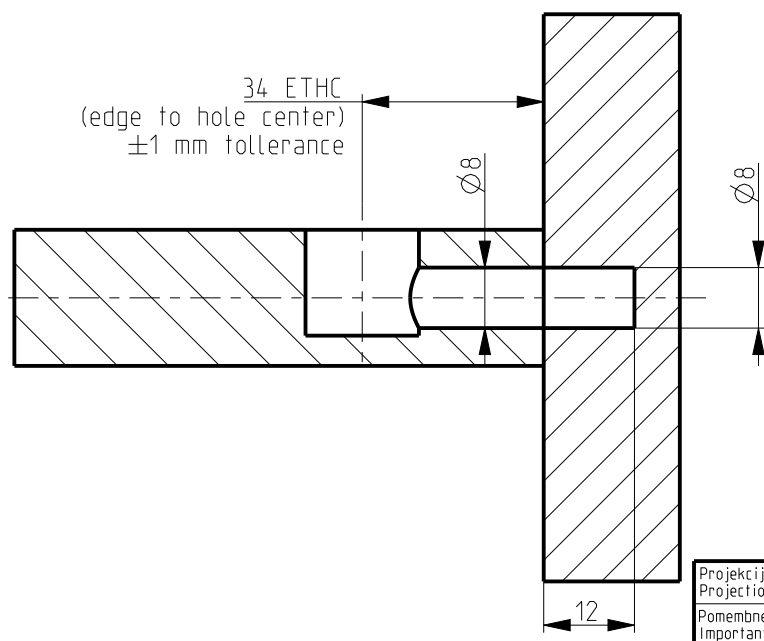
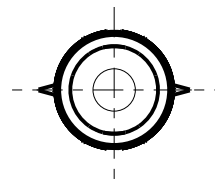


This drawing is TITUS property and is covered by industrial and intellectual property rights and should, without written consent from TITUS, in no way be copied, reproduced or communicated on otherwise used for any other purpose other than that which has been agreed.



S1:1



Note:  
 1. Nominal boring dims. shown, for guidance only. Check in intended application.  
 2. For use with range of Titus cams.

Projekcije/ Projections			
Pomembne dimenzije Important dimensions			
GENERAL TOLERANCES ISO 2768 - mK			
from 0.5 up to 6	from 6 up to 30	from 30 up to 120	from 120 up to 400
±0.1	±0.2	±0.3	±0.5

**PRODAJNA RISBA / SALES DRAWING**

Naziv izdelka/ Product: QFit TL2 8x34 - gap 1.9	
Koda izdelka/ Item number: 005474	
Risba/ Sales Drw: SD2D-05474	Verzija/ Revision: A.1
Posodobil/ Updated by: Marino Prodan	11-NOV-2019
Pregledal/ Checked by: Valter Svava	20.11.2019

Kupec/ Customer:	
Customer product name:	
Customer item number:	
Customer ref. drawing no.:	Verzija/ Revision:
Customer approval (Date, signature):	

**TITUS**

Merilo/  
Scale  
2:1

Print size  
**A4**