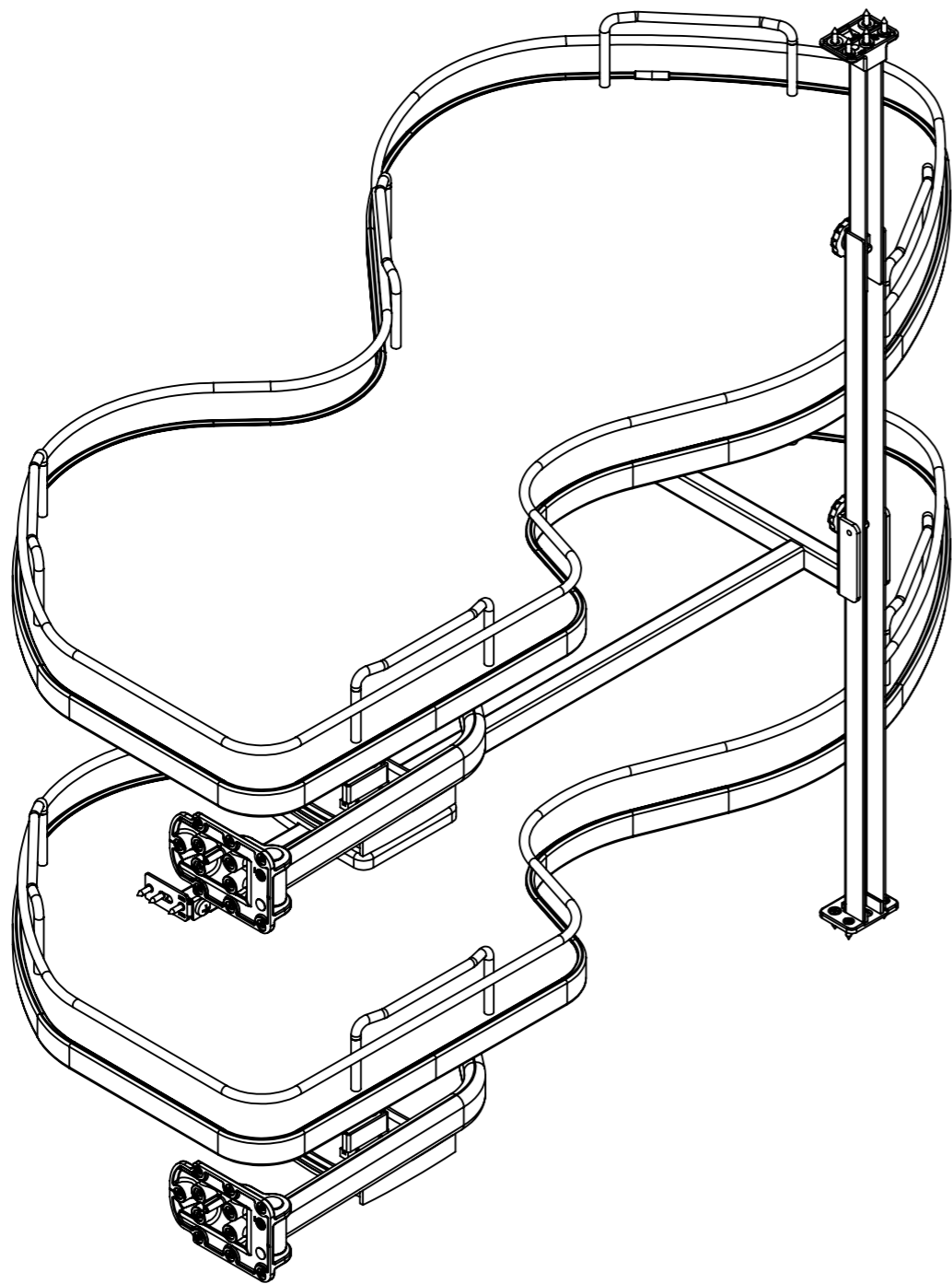


CUSTOMER DRAWING

This drawing is the property of Rev-A-Shelf (RAS) and is disclosed in confidence to the extent its subject matter is original to RAS. Any vendor receiving this drawing from RAS shall hold and use this drawing for the sole benefit of RAS and shall not disclose it to, or use or reproduce it for any third party, or perform any act adverse to the interest of RAS with respect to this drawing without the express written permission of RAS. Vendors shall not revise any physical, dimensional or performance characteristic unless authorized by Rev-A-Shelf Engineering.

REV.	DATE	BY	DESCRIPTION OF CHANGE

INCH [MM]	AMERICAN PROJECTION 	BY	DATE	REV-A-SHELF, INC.	
		DRAWN			
TOLERANCES MAT. DEC. (WOOD) .XX .03 [.8mm] (OTHER) .XX .02 [.5mm] (ALL) .XXX .005 [.13 mm] FRACTIONS 1/32 [.8 mm]		ANGLES 1/2±	MATERIAL	DRAWING NO.	SCALE
		FINISH	PART NO.	SHEET 1 OF 2	



PART DIMENSIONS		
	MIN	MAX
WIDTH		
DEPTH		
HEIGHT		
WEIGHT		
DIAMETER		
RADIUS		
CONTAINER CAPACITY		
CONTAINER UOM		

MIN CABINET OPENING	
WIDTH	-
DEPTH	-
HEIGHT	-

PRODUCT MAX WEIGHT RATING

SLIDE SPECIFICATIONS			
SLIDE TYPE		SLIDE EXTENSION	MAX WEIGHT RATING
SLIDE CLOSING		SLIDE LENGTH	
SLIDE MOUNTING		SLIDE FINISH	

CUSTOMER DRAWING

This drawing is the property of Rev-A-Shelf (RAS) and is disclosed in confidence to the extent its subject matter is original to RAS. Any vendor receiving this drawing from RAS shall hold and use this drawing for the sole benefit of RAS and shall not disclose it to, or use or reproduce it for any third party, or perform any act adverse to the interest of RAS with respect to this drawing without the express written permission of RAS. Vendors shall not revise any physical, dimensional or performance characteristic unless authorized by Rev-A-Shelf Engineering.

REV.	DATE	BY	DESCRIPTION OF CHANGE

INCH [MM]	AMERICAN PROJECTION 	DRAWN	BY	DATE	REV-A-SHELF, INC.
TOLERANCES MAT. DEC. (WOOD) .XX .03 [.8mm] (OTHER) .XX .02 [.5mm] (ALL) .XXX .005 [.13 mm] FRACTIONS 1/32 [.8 mm]		ANGLES 1/2±	MATERIAL	DRAWING NO.	SCALE
			FINISH	PART NO.	SHEET 1 OF 2