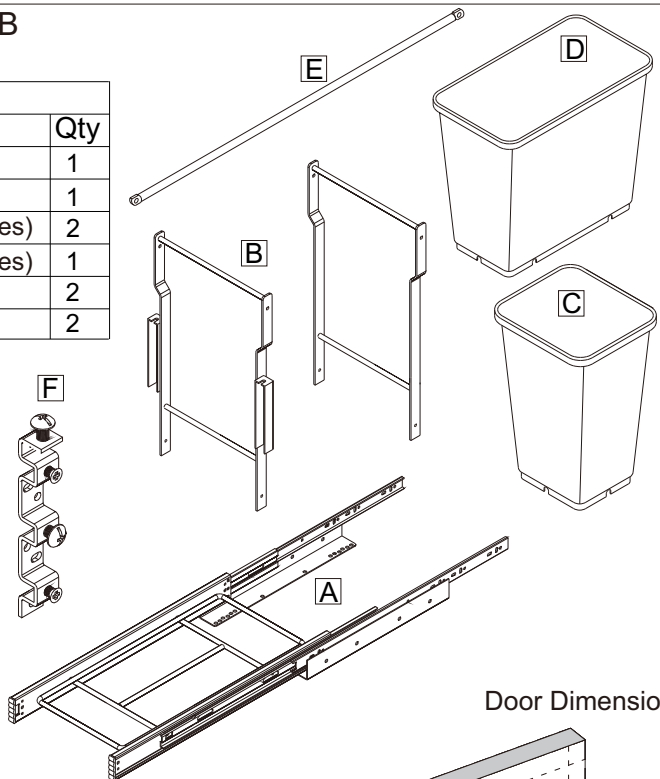


ITEM NO:FJ130-A/FJ130-B
Pull-out Waste Bin

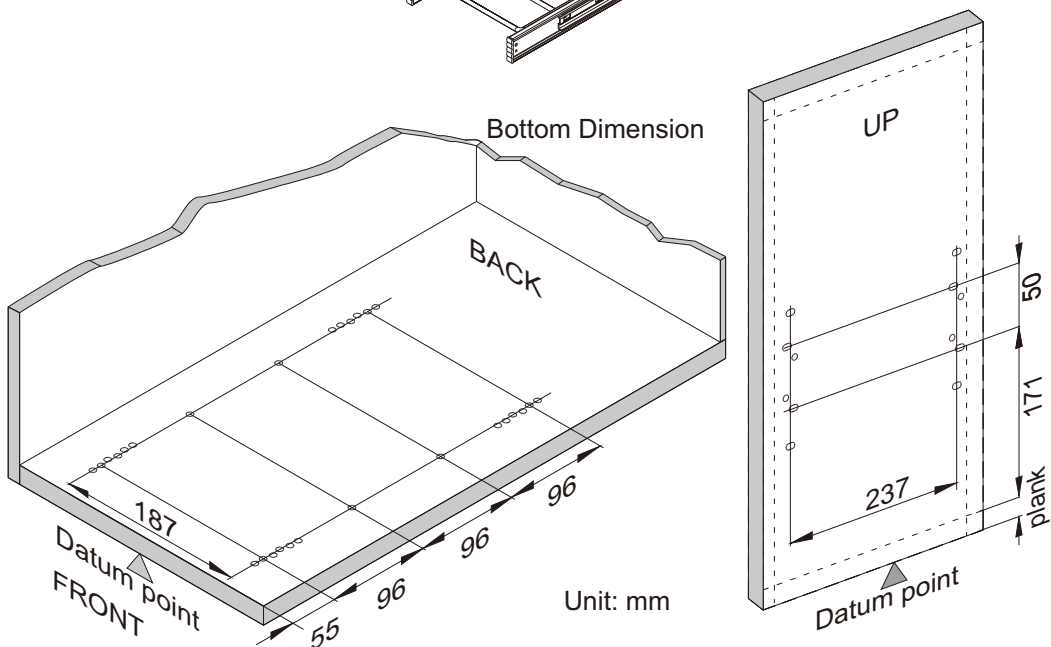
PANELS CHECK LIST		
Description		Qty
A	Runner	1
B	Frame	1
C	Waste Bin (Available accessories)	2
D	Waste Bin (Available accessories)	1
E	Connecting rod	2
F	Door bracket	2

FITTINGS CHECK LIST		
Description		Qty
1	Wood Screw	18
2	M5 Screw	4
3	Nut	4
4	M5 Screw	4

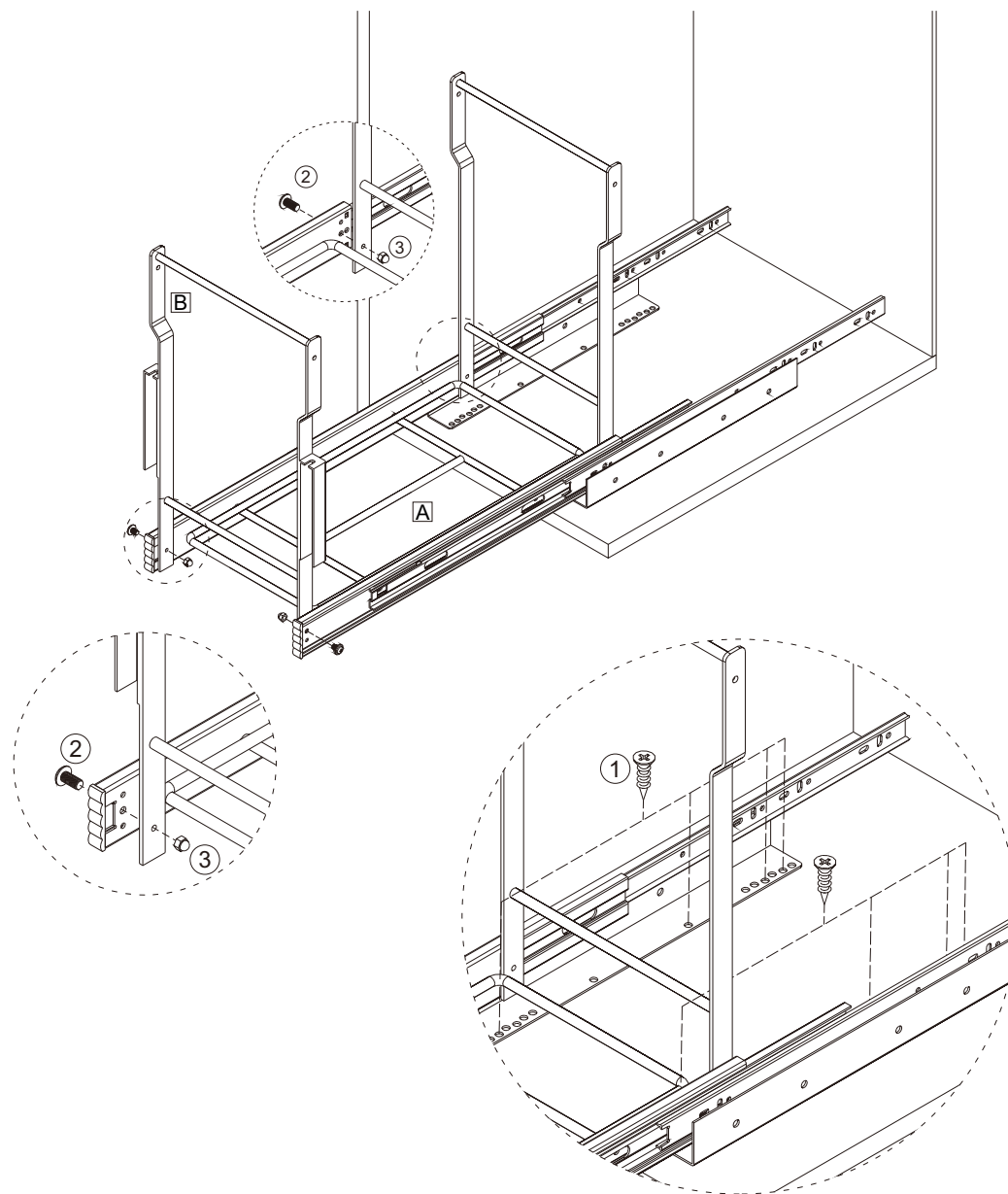


Door Dimension

Bottom Dimension

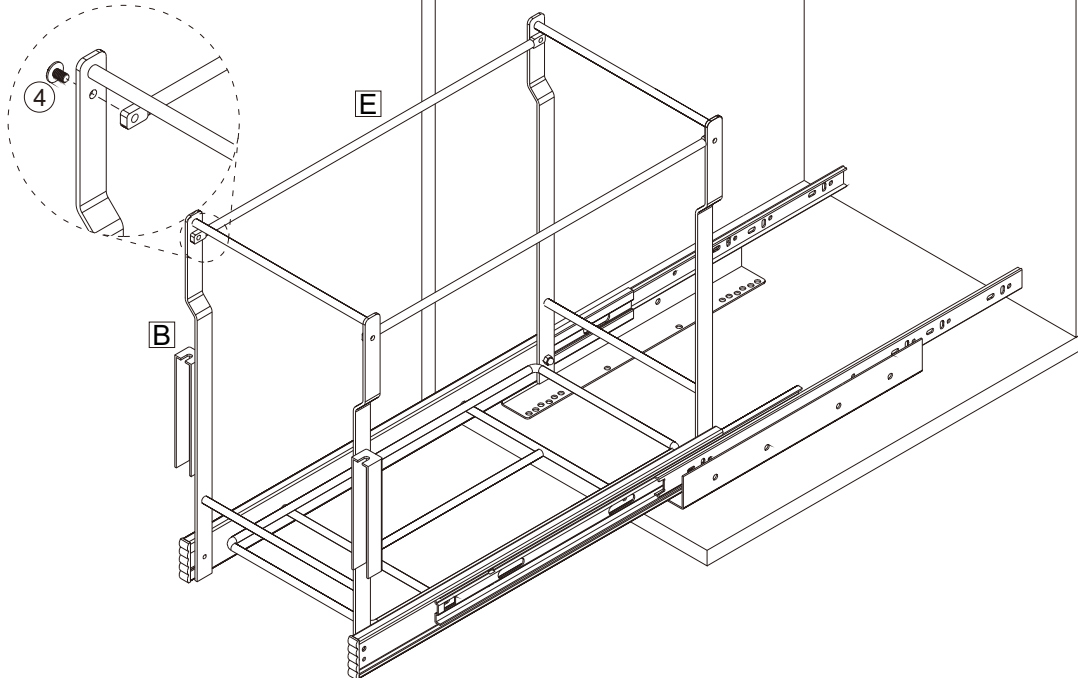


1. Fix runner A at the bottom of cabinet. Then connect frame B and fix it on the bottom of runner A (Exchange the front and back frame position in order to make sure of opening the cabinet door.)

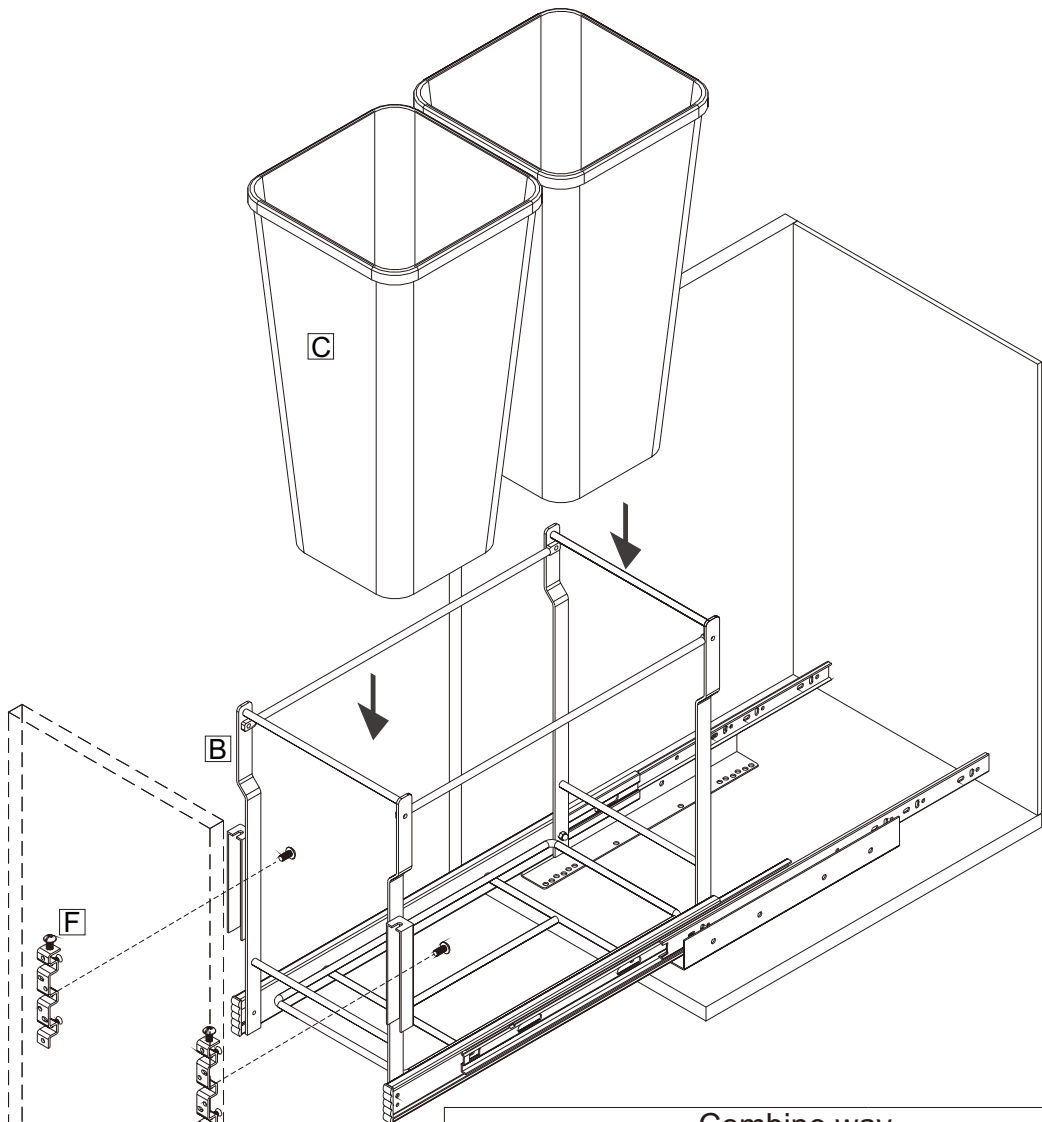


*Fix the base frame runner A to the cabinet.

2. Fix the Connecting rod E between the front and back of frame B then fix the gas lift between the back frame and slide.



5. Then fix ② connect to the frame B. Put the waste bin on the base of frame B.



4. Fix the door brackets to the door .

