



Change your drawer into a wastebin !
Create a homogeneous look for the interior of your cabinets with the 1to5 solution !



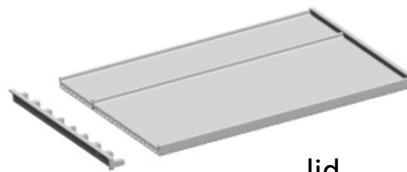
Product Features

- ✓ Available for **600 mm (23-5/8")** external width cabinets
- ✓ **Wide selection of innovative bins and lids, more functional than ever.**
- ✓ **To be installed with** Blum Tandembox ou Intivo 500 mm (19-11/16")
- ✓ Frame available for 16mm (5/8") or 19mm (3/4") side gable thickness
- ✓ **Comes with an overall lid but individual lids can be ordered as well.**
- ✓ **Additional functionality offered; the dust and pan lid (# 5006100) for example.**

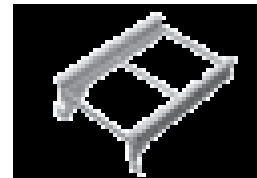
"1to5"

System is composed of a frame to be installed inside a double wall drawer and several bins that fit into the frame to have a complete solution.
Select the right frame and choose the bins depending on your needs

#5216100 et #5219100
Each code consists of 1 hanging frame and 1 overall lid



lid
(mounted side to side)



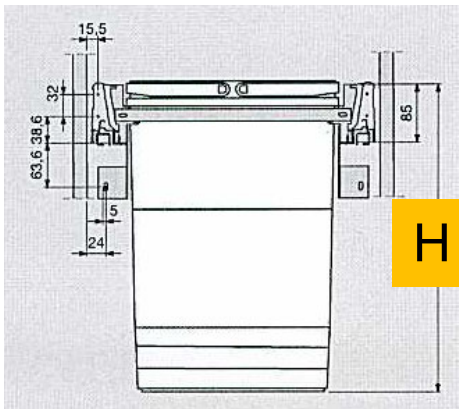
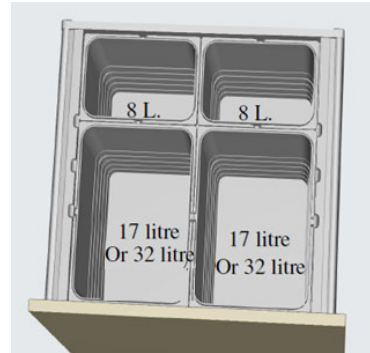
Hanging frame
(insertion in Blum drawer)

1) Choose your frame

5216100 - side gable thickness of 16mm (5/8")
5219100 - side gable thickness of 19 mm (3/4")

Codes	Description	Internal width
5216100	SET "1TO5" 600MM GREY for cabinet with 16mm (5/8") side gable thickness	568 mm (22-3/8 ")
5219100	SET "1TO5" 600MM GREY for cabinet with 19mm (3/4") side gable thickness	562 mm (22-1/8 ")

2) Choose your bin



Capacity	Code	H
8l	5050100	310mm (12 ¼")
17l	5060100	310mm (12 ¼")
26l	5258100	450mm (17 ¾")
32l	5275100	560mm (22 1/8")

3) Choose your individual lid depending on the bin you select (reminder: an overall lid already included with the hanging frame)

Lids are represented with the bin but have to be ordered separately

For 8l bin



#5661100
Standard lid



#5003100
Lid with Bio filter

For 17l ,26l or 32l bin



#5662100
Standard lid



#5002100
Lid with storage



#5006100
Dustpan and broom kit lid



#5004100
Cleaning product storage insert

The secret is in the lid !