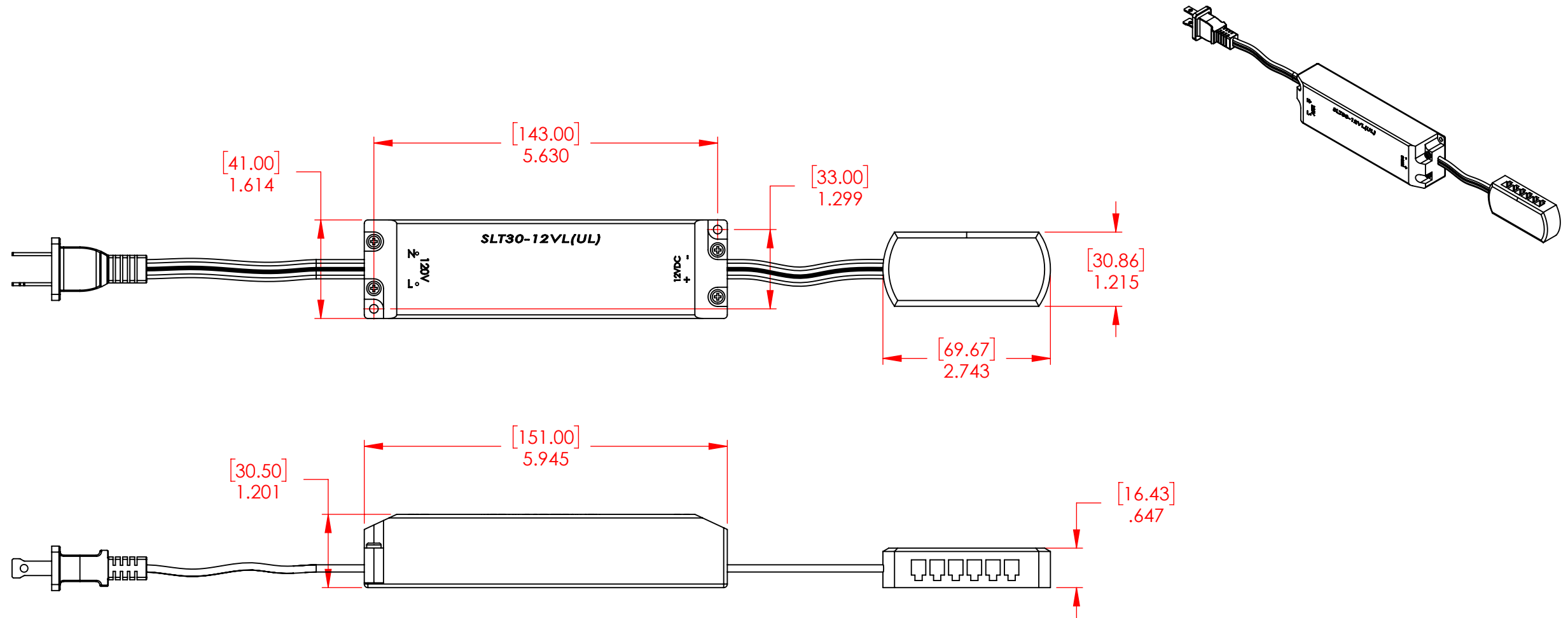


REVISIONS				
REV	DESCRIPTION	DATE	BY	APPROVED
01	ISSUE	25/04/2017	P.M.	




[DIMENSION MM]
DIMENSION INCH

PROPRIETARY AND CONFIDENTIAL
THE INFORMATION CONTAINED IN THIS DRAWING IS THE SOLE PROPERTY OF LUMINERGY. ANY REPRODUCTION IN PART OR AS A WHOLE WITHOUT THE WRITTEN PERMISSION OF LUMINERGY IS PROHIBITED.

TOLERANCES UNLESS OTHERWISE SPECIFIED
.XXXX ± .0002"
.XXX ± .005"
.XX ± .015"
RADIUS ± .005"
FRACT. ± 1/32"
ANGULAR ± 1/2°



		6068, Métropolitain Est Montreal, QC, CANADA, H1S 1A9 TEL : 1-888-653-3533 TEL : 514-448-1574 FAX : 1-514-903-0649	
PROJET COMPOSANTE RICHELIEU			
DESCRIPTION POWER SUPPLY SLT30-12VL 51230			
DWG. NO	DRAWN	DATE	B
250115-00-01-R01	P. MARQUIS	25/04/2017	
SCALE 1:2	SHEET 1 OF 1	APPROVED	DATE
CADFILE: 250115-00-01-r01 POWER SUPPLY SLT30-12VL 51230			