



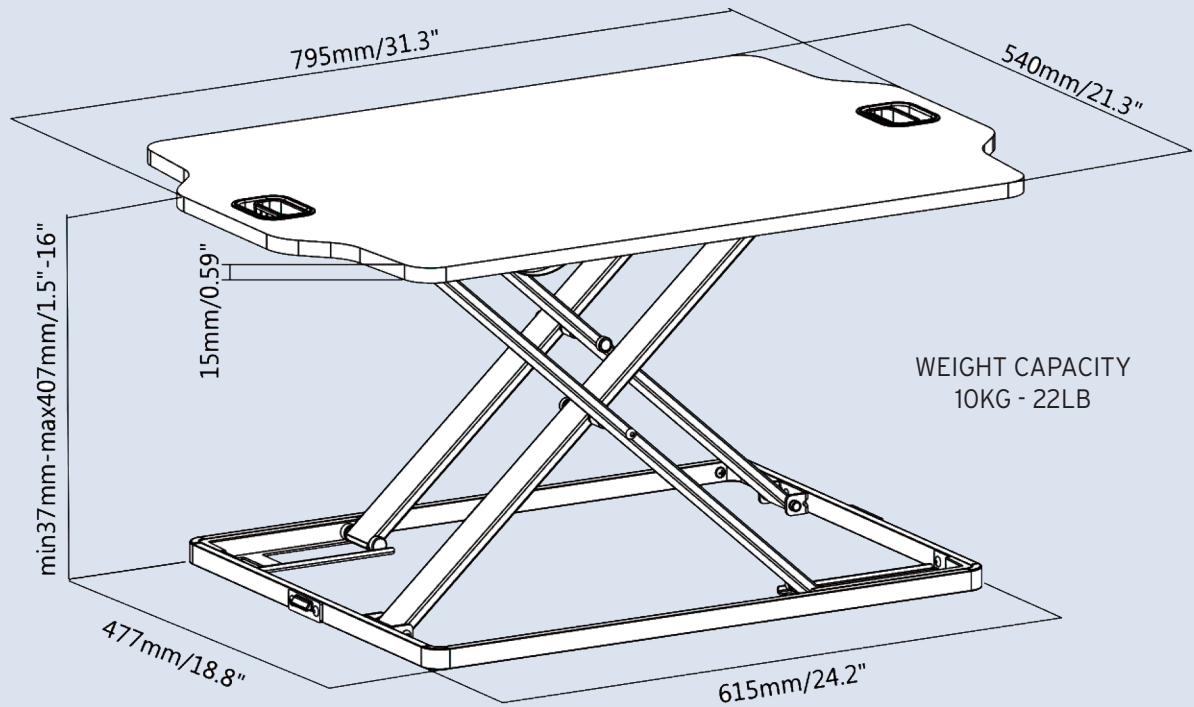
500TTLTS2S90

## THE LAP TOPPER

The construction of most workstations are designed to be strong. These bulky products hamper the style of modern interior designs. The Lap Topper reverses this common feature of current sit-stand workstations. Our idea of making sit-stand workstations highlights simplicity while maintaining reliability. With a durable steel construction, the workstation confidently holds most monitors or laptops. By incorporating a high quality desktop the workstation features strong water & scratch resistant surface. The product has been fully assembled, and is ready to go right out of the box. No replacement of office furniture and quick setup save time while optimizing office ergonomics. Simply lift or lower the desktop to your desired height.



500TTLTS2S90



12 HEIGHT SETTINGS



STEEL CONSTRUCTION WITH  
LAMINATED MDF WORKSURFACE

500TTLTS2S90 | Black



ULTRA SLIM DESIGN FOR EASY STORAGE



☎ 1-866-440-0448  
ergoinfo@richelieu.com

www.richelieuergo.com