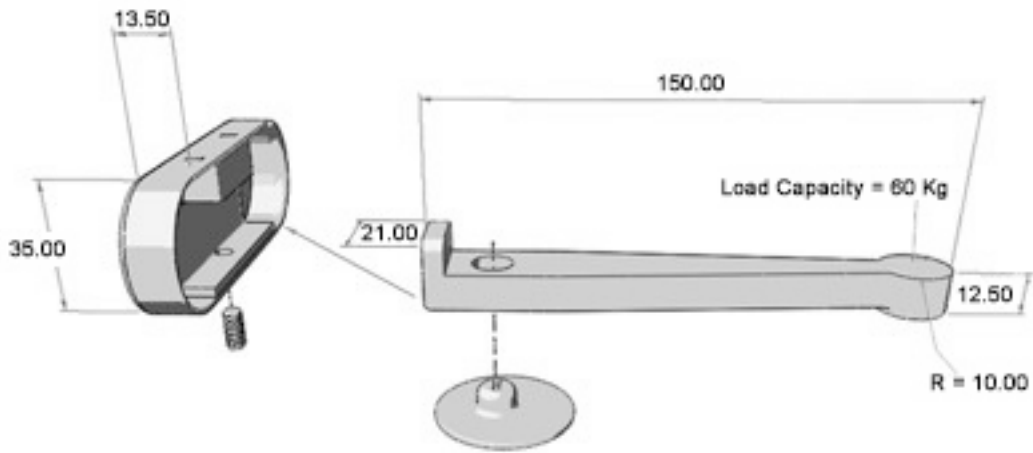
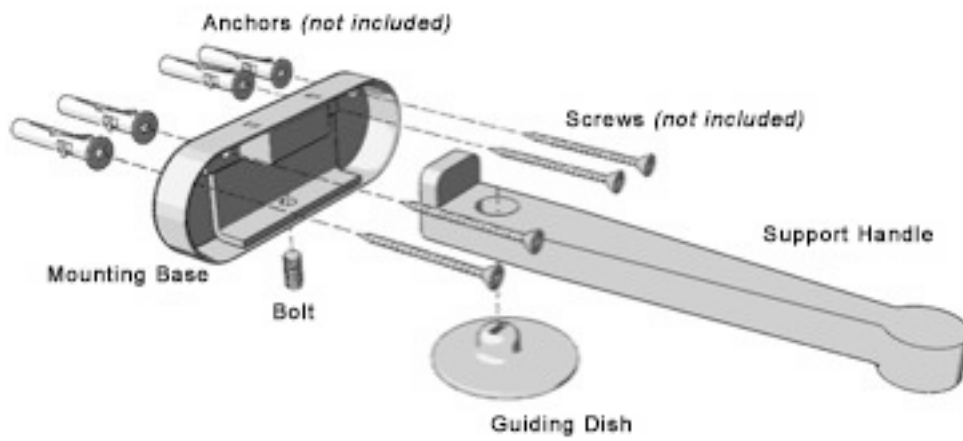


Sizes and dimensions

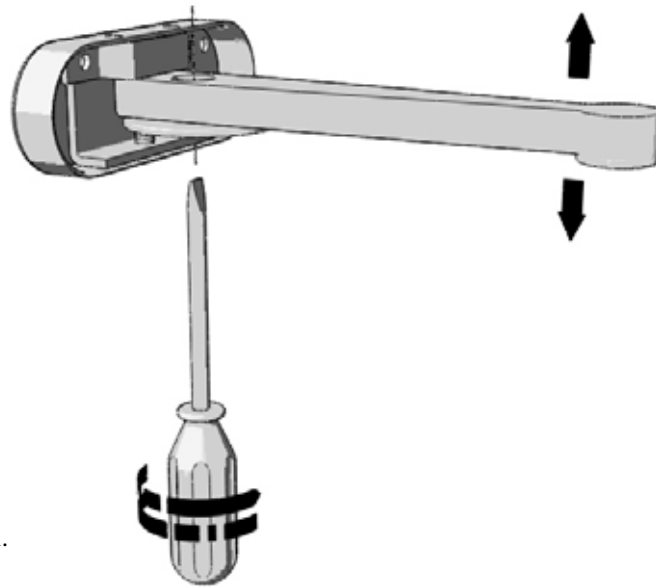
Load capacity = 60 kg



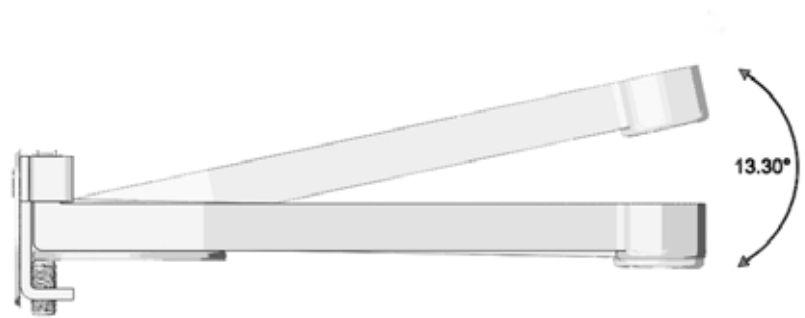
[For Screws & anchors](#), please refer
To section 08 of our catalog.



Fix the plate into the wall with screws.



Insert the support and the disk.
Next, attach and adjust the height with the pin.



With the eccentric you can adjust the slope of the bracket upwards to a maximum of 13.30 degrees.

