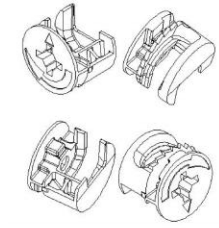
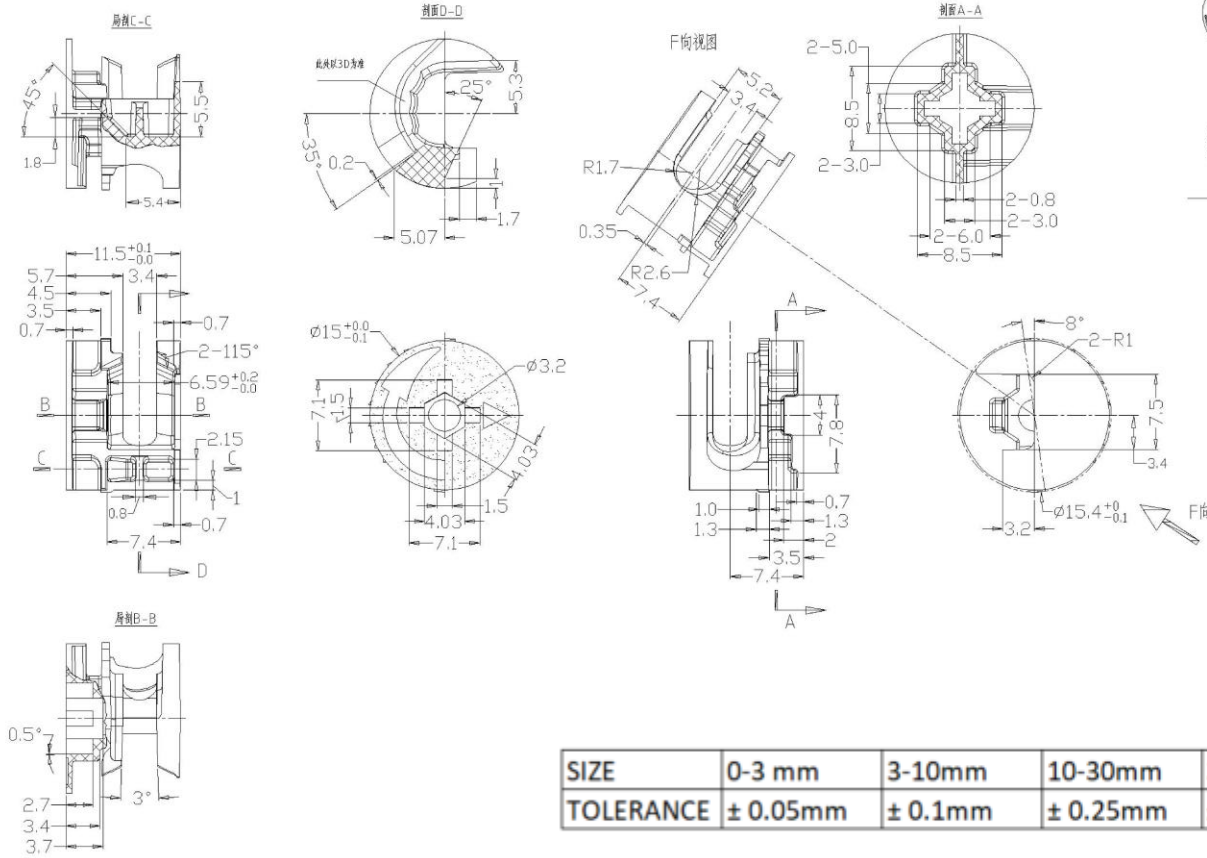




CAM HARDWARE  
485117151152G



SIZE	0-3 mm	3-10mm	10-30mm	30-100mm	100-300mm	300mm
TOLERANCE	± 0.05mm	± 0.1mm	± 0.25mm	± 1mm	± 3mm	± 5mm