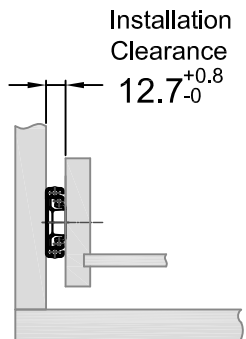
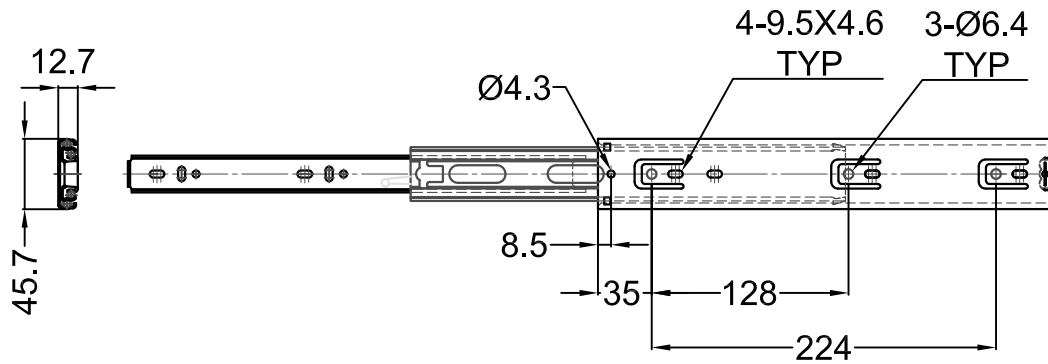
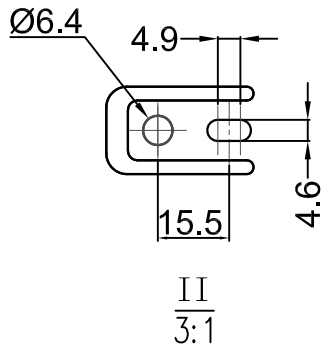
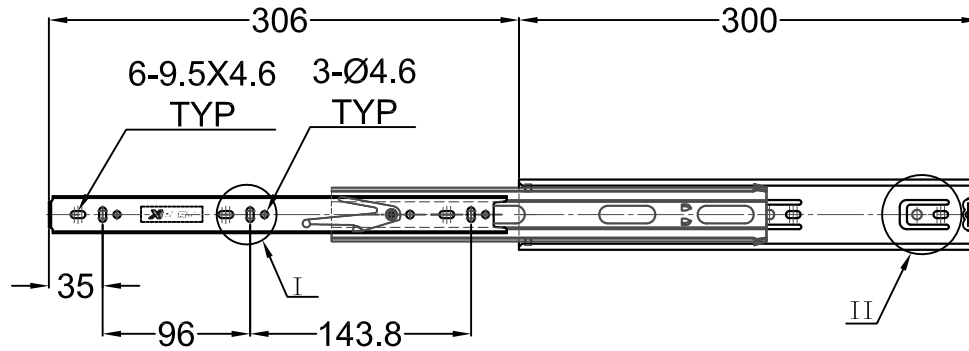
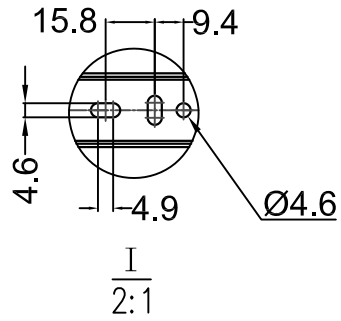


DATE	DESCRIPTION
	REVISION



UNSPECIFIED TOLERANCE			RICHELIEU HARDWARE			
DIMENSION	LINEAR	ANGLE	XPERT FULL. STAND. 300MM 12" ZINC			
X			45XP2G300			
X.0						
X.00						
MATERIAL		DESIGNED		DATE	2023.10.24	Unit:
FINISH		APPROVED		DATE		mm
				SCALE		