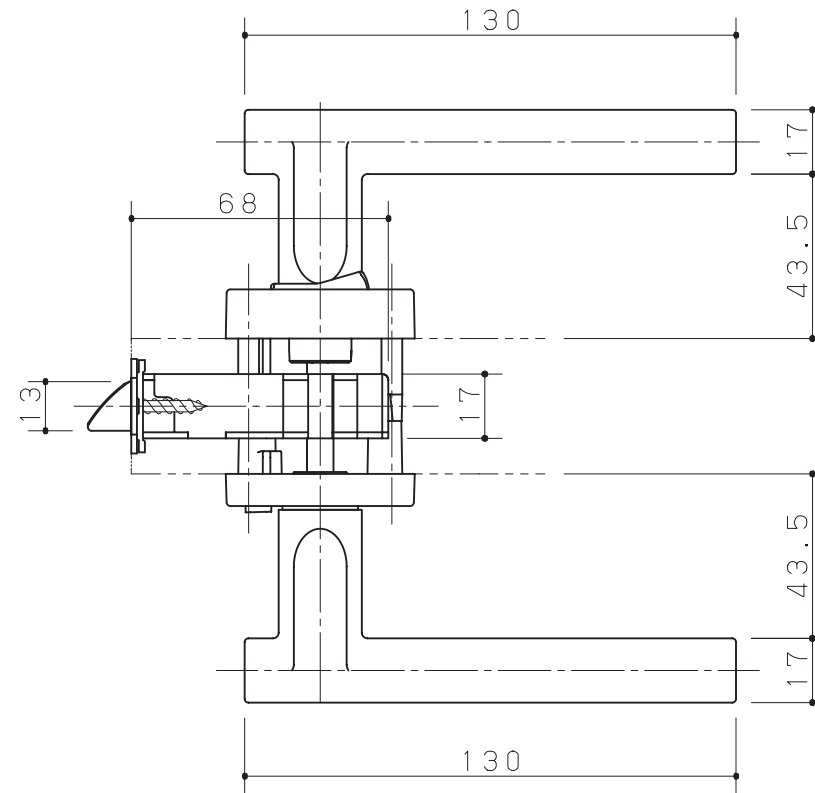
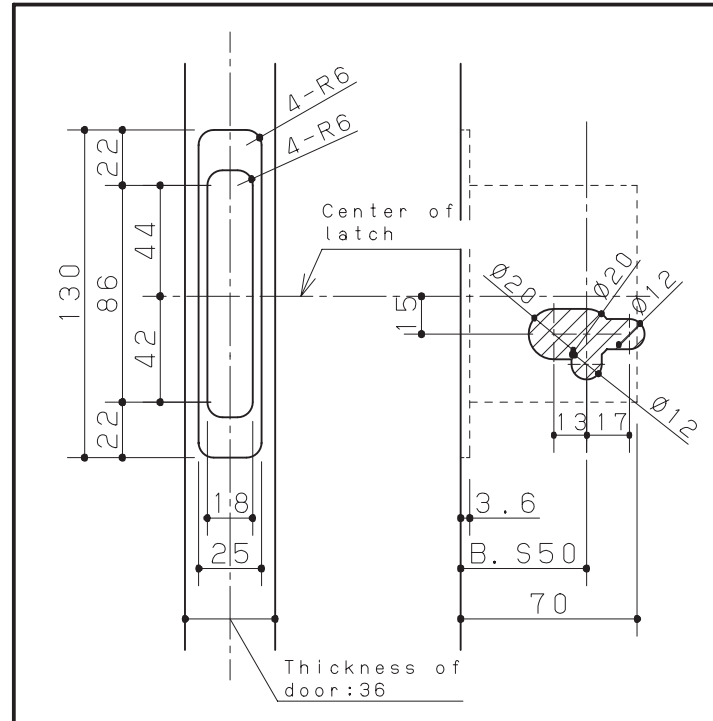
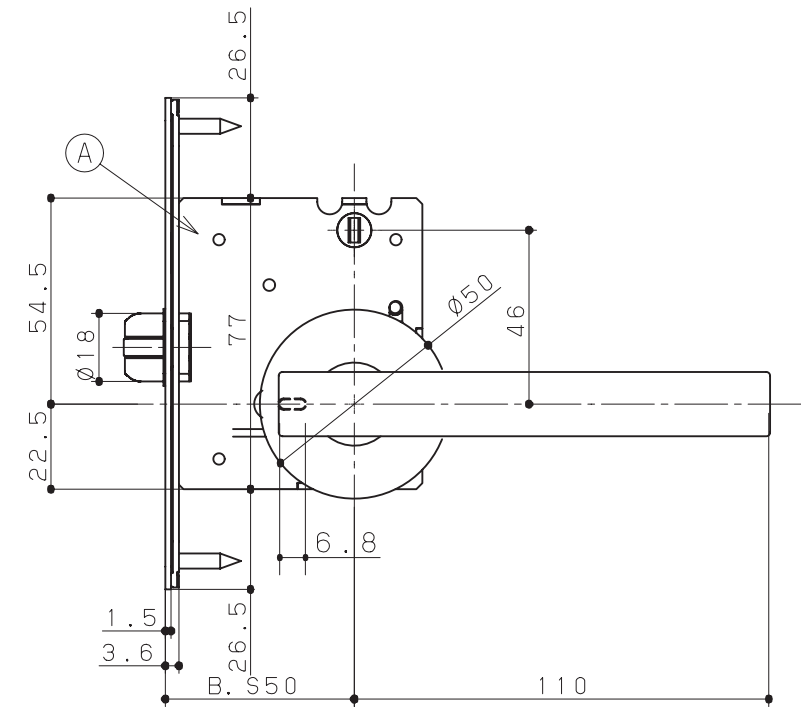
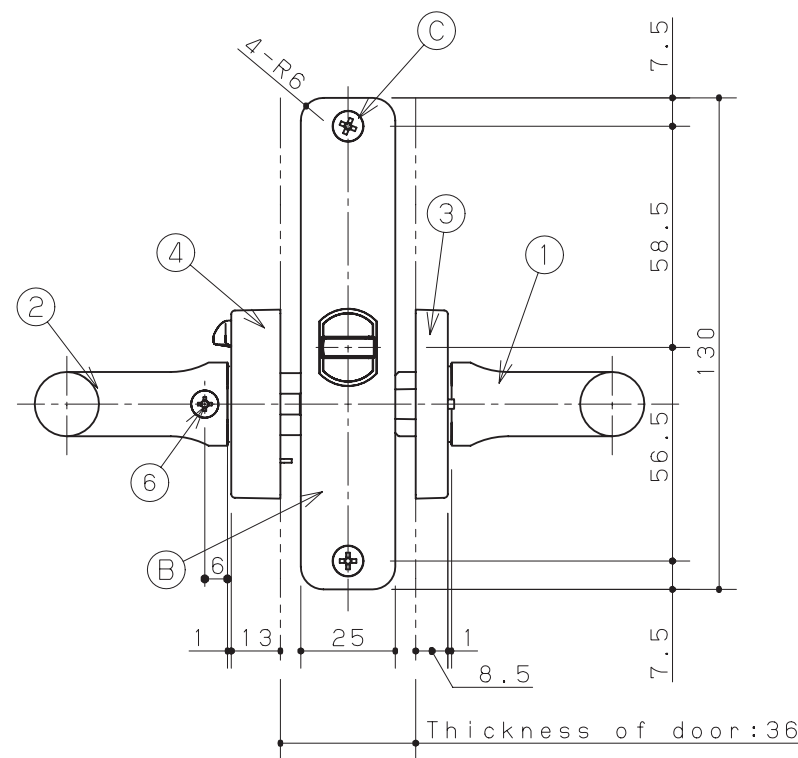
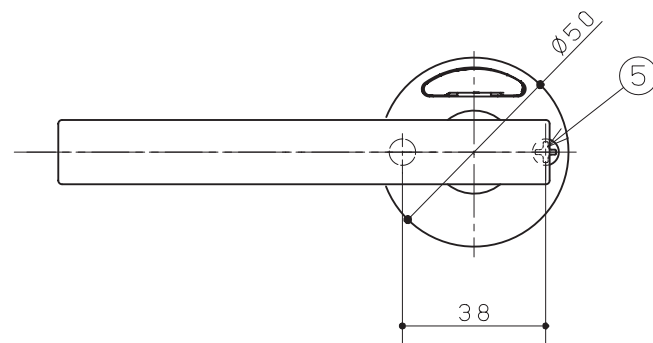


Cutting diagrams for insertion of lock/
latch body in door
(S=1/3, [mm])



No	part name	QTY	remarks
1	Lever handle A	1	
2	Lever handle B	1	
3	Handle base (cover)	1	
4	Handle base (fitting)	1	
5	Fixing screw	2	M4x12
6	Handle fixing screw	1	M4x8.5+special screw
A	Latch	1	
B	Front plate	1	
C	Case lock fixing screw	2	4x20+countersunk screw



[Dimensional unit:mm]

Scale: 1:2